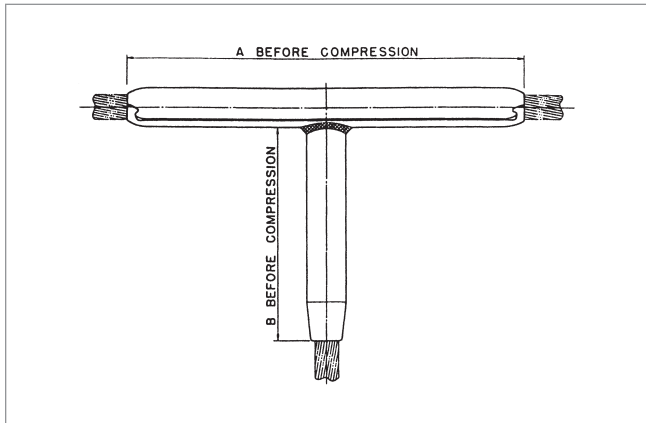


HiTemp Tee Connector for ACSS Conductor, Open Run, 5500HT Series



The 5500HT Series Tee Connector is a permanent drop specifically designed for ACSS conductors. It is fabricated from a specially tempered aluminum that will transfer elevated current and dissipate increased heat more efficiently.

The run portion incorporates an improved design of interlocking extrusions, providing a permanent grip on the conductor when compressed.

The branch portion of the tee connector is designed for limited tension use, maintaining a minimum of 40% of the ASTM rated strength of the conductor.

For die sizes 30AH and above, the end tapers of the compression portions of all compression accessories are supplied with a high voltage finish.

Ordering Instructions

Step 1: Determine Run Catalog Number

Determine the run catalog number based on the conductor being used.

Step 2: Determine Branch Catalog Number

Determine the branch catalog number based on the conductor being used.

Step 3: Assemble Catalog Number

+

Example:

For a Tee Connector with a run conductor of 795 Drake ACSS Conductor and a branch conductor of 954 Cardinal ACSS Conductor, the complete catalog number is:

5530.3-30.125HT

Notes:

1. HiTemp AFL Filler Compound (AFCHT) Requirements are on page 340.
2. Installation Instructions for Tee Connectors are on page 353.

HiTemp Tee Connector for ACSS Conductor, Open Run, 5500HT Series (cont.)

Partial Catalog Number		Conductor				Die Size	Weight		Run Length A		Branch Length B	
		Code Name	Size	Strand- ing	Diameter		lbs	kg	in	mm	in	mm
Run	Branch		kcmil	Al/St	in							
5576.3	-76.688HT	Partridge/ACSS	266.8	26/7	0.642	76AH	1.9	0.9	18.0	457	10.5	267
5520.3	-20.781HT	Woodcock/ACSS	336.4	22/7	0.701	20AH	2.6	1.2	22.5	572	11.6	295
5520.3	-20.812HT	Linnet/ACSS	336.4	26/7	0.720	20AH	2.6	1.2	22.5	572	11.6	295
5520.3	-20.781HT	Oriole/ACSS	336.4	30/7	0.741	20AH	2.6	1.2	22.5	572	11.6	295
5520.3	-20.812HT	Ptarmigan/ACSS	397.5	20/7	0.752	20AH	2.5	1.1	22.5	572	11.6	295
5520.3	-20.812HT	Brant/ACSS	397.5	24/7	0.772	20AH	2.5	1.1	22.5	572	11.6	295
5520.3	-20.844HT	Ibis/ACSS	397.5	26/7	0.783	20AH	2.5	1.1	22.5	572	11.6	295
5520.3	-20.844HT	Lark/ACSS	397.5	30/7	0.806	20AH	2.5	1.1	22.5	572	11.6	295
5520.3	-20.875HT	Tailorbird/ACSS	477.0	20/7	0.823	20AH	2.5	1.1	22.5	572	11.6	295
5524.3	-24.938HT	Flicker/ACSS	477.0	24/7	0.846	24AH	3.9	1.8	23.5	597	12.3	311
5524.3	-24.938HT	Hawk/ACSS	477.0	26/7	0.858	24AH	3.9	1.8	23.5	597	12.3	311
5524.3	-24.938HT	Hen/ACSS	477.0	30/7	0.883	24AH	3.9	1.8	23.5	597	12.3	311
5524.3	-24.969HT	Sapsucker/ACSS	556.5	22/7	0.901	24AH	3.8	1.7	23.5	597	12.3	311
5524.3	-24.969HT	Parakeet/ACSS	556.5	24/7	0.914	24AH	3.8	1.7	23.5	597	12.3	311
5527.3	-27.100HT	Dove/ACSS	556.5	26/7	0.927	27AH	5.3	2.4	26.3	667	12.8	311
5527.3	-27.100HT	Eagle/ACSS	556.5	30/7	0.953	27AH	5.3	2.4	26.3	667	12.8	326
5527.3	-27.100HT	Peacock/ACSS	605.0	24/7	0.953	27AH	5.3	2.4	26.3	667	12.8	326
5527.3	-27.100HT	Squab/ACSS	605.0	26/7	0.966	27AH	5.3	2.4	26.3	667	12.8	326
5527.3	-27.106HT	Wood Duck/ACSS	605.0	30/7	0.994	27AH	5.2	2.4	26.3	667	12.8	326
5527.3	-27.106HT	Teal/ACSS	605.0	30/19	0.994	27AH	5.2	2.4	26.3	667	12.8	326
5527.3	-27.106HT	Goldfinch/ACSS	636.0	22/7	0.963	27AH	5.2	2.4	26.3	667	12.8	326
5527.3	-27.106HT	Rook/ACSS	636.0	24/7	0.977	27AH	5.2	2.4	26.3	667	12.8	326
5527.3	-27.106HT	Grosbeak/ACSS	636.0	26/7	0.990	27AH	5.2	2.4	26.3	667	12.8	326
5527.3	-27.106HT	Scoter/ACSS	636.0	30/7	1.019	27AH	5.2	2.4	26.3	667	12.8	326
5527.3	-27.106HT	Egret/ACSS	636.0	30/19	1.019	27AH	5.2	2.4	26.3	667	12.8	326
5527.3	-27.106HT	Flamingo/ACSS	666.6	24/7	1.000	27AH	5.2	2.4	26.3	667	12.8	326
5527.3	-27.106HT	Gannet/ACSS	666.6	26/7	1.014	27AH	5.2	2.4	26.3	667	12.8	326
5530.3	-30.109HT	Stilt/ACSS	715.5	24/7	1.036	30AH	6.6	3.0	27.1	689	13.4	341
5530.3	-30.109HT	Starling/ACSS	715.5	26/7	1.051	30AH	6.6	3.0	27.1	689	13.4	341
5530.3	-30.116HT	Redwing/ACSS	715.5	30/19	1.081	30AH	6.6	3.0	27.1	689	13.4	341
5530.3	-30.116HT	Cuckoo/ACSS	795.0	24/7	1.092	30AH	6.4	2.9	27.1	689	13.4	341
5530.3	-30.122HT	Drake/ACSS	795.0	26/7	1.108	30AH	6.4	2.9	27.1	689	13.4	341
5530.3	-30.116HT	Macaw/ACSS	795.0	42/7	1.055	30AH	6.4	2.9	27.1	689	13.4	341
5530.3	-30.116HT	Tern/ACSS	795.0	45/7	1.063	30AH	6.4	2.9	27.1	689	13.4	341
5530.3	-30.116HT	Condor/ACSS	795.0	54/7	1.092	30AH	6.4	2.9	27.1	689	13.4	341
5530.3	-30.122HT	Mallard/ACSS	795.0	30/19	1.140	30AH	6.3	2.9	27.1	689	13.4	341
5530.3	-30.122HT	Ruddy/ACSS	900.0	45/7	1.131	30AH	6.3	2.9	27.1	689	13.4	341
5530.3	-30.122HT	Canary/ACSS	900.0	54/7	1.162	30AH	6.3	2.9	27.1	689	13.4	341
5530.3	-30.122HT	Corncrake/ACSS	954.0	20/7	1.165	30AH	6.3	2.9	27.1	689	13.4	341
5530.3	-30.125HT	Redbird/ACSS	954.0	24/7	1.196	30AH	6.2	2.8	27.1	689	13.4	341
5530.3	-30.122HT	Rail/ACSS	954.0	45/7	1.165	30AH	6.30	2.9	27.1	689	13.4	341

HiTemp Tee Connector for ACSS Conductor, Open Run, 5500HT Series (cont.)

Partial Catalog Number		Conductor				Die Size	Weight		Run Length A		Branch Length B	
		Code Name	Size	Strand- ing	Diameter		lbs	kg	in	mm	in	mm
Run	Branch		kcmil	Al/St	in							
5530.3	-30.125HT	Towhee/ACSS	954.0	48/7	1.175	30AH	6.2	2.8	27.1	689	13.4	341
5530.3	-30.125HT	Cardinal/ACSS	954.0	54/7	1.196	30AH	6.2	2.8	27.1	689	13.4	341
5534.3	-34.134HT	Canvasback/ACSS	954.0	30/19	1.248	34AH	8.7	4.0	28.1	714	14.1	357
5534.3	-34.128HT	Snowbird/ACSS	1033.5	42/7	1.203	34AH	8.9	4.0	28.1	714	14.1	357
5534.3	-34.134HT	Ortolan/ACSS	1033.5	45/7	1.212	34AH	8.9	4.0	28.1	714	14.1	357
5534.3	-34.134HT	Curlew/ACSS	1033.5	54/7	1.245	34AH	8.7	4.0	28.1	714	14.1	357
5534.3	-34.134HT	Bluejay/ACSS	1113.0	45/7	1.259	34AH	8.7	4.0	28.1	714	14.1	357
5534.3	-34.138HT	Finch/ACSS	1113.0	54/19	1.293	34AH	8.7	4.0	28.1	714	14.1	357
5534.3	-34.138HT	Bunting/ACSS	1192.5	45/7	1.302	34AH	8.6	3.9	28.1	714	14.1	357
5536.3	-36.144HT	Grackle/ACSS	1192.5	54/19	1.338	36AH	9.4	4.3	29.0	737	14.6	371
5536.3	-36.144HT	Bittern/ACSS	1272.0	45/7	1.345	36AH	9.4	4.3	29.0	737	14.6	371
5536.3	-36.144HT	Diver/ACSS	1272.0	48/7	1.357	36AH	9.4	4.3	29.0	737	14.6	371
5536.3	-36.147HT	Pheasant/ACSS	1272.0	54/19	1.382	36AH	9.3	4.2	29.0	737	14.6	371
5536.3	-36.147HT	Dipper/ACSS	1351.5	45/7	1.386	36AH	9.3	4.2	29.0	737	14.6	371
5538.3	-38.156HT	Martin/ACSS	1351.5	54/19	1.424	38AH	11.1	5.0	29.9	759	15.2	386
5538.3	-38.150HT	Bobolink/ACSS	1431.0	45/7	1.427	38AH	11.1	5.0	29.9	759	15.2	386
5538.3	-38.156HT	Plover/ACSS	1431.0	54/19	1.465	38AH	10.8	4.9	29.9	759	15.2	386
5538.3	-38.156HT	Nuthatch/ACSS	1510.0	45/7	1.466	38AH	11.8	5.4	29.9	759	16.2	411
5540.3	-40.162HT	Parrot/ACSS	1510.0	54/19	1.505	40AH	12.6	5.7	30.8	781	15.8	400
5540.3	-40.162HT	Ratite/ACSS	1590.0	42/7	1.492	40AH	12.6	5.7	30.8	781	15.8	400
5540.3	-40.162HT	Lapwing/ACSS	1590.0	45/7	1.504	40AH	12.6	5.7	30.8	781	15.8	400
5540.3	-40.162HT	Falcon/ACSS	1590.0	54/19	1.544	40AH	12.6	5.7	30.8	781	15.8	400
5542.3	-42.178HT	Chukar/ACSS	1780.0	84/19	1.602	42AH	14.2	6.5	31.6	803	16.4	416
5542.3	-42.178HT	Mockingbird/ACSS	2034.5	72/7	1.681	42AH	14.2	6.5	31.6	803	16.4	416
5542.3	-42.178HT	Roadrunner/ACSS	2057.0	76/19	1.700	42AH	14.2	6.5	31.6	803	16.4	416
5544.3	-44.184HT	Bluebird/ACSS	2156.0	84/19	1.762	44AH	15.9	7.2	32.5	826	16.0	406
5544.3	-44.181HT	Kiwi/ACSS	2167.0	72/7	1.735	44AH	15.9	7.2	32.5	826	16.0	406
5544.3	-44.188HT	Thrasher/ACSS	2312.0	76/19	1.802	44AH	15.9	7.2	32.5	826	16.0	406
5548.3	-48.197HT	Joree/ACSS	2515.0	76/19	1.880	48AH	20.9	9.5	32.5	826	16.0	406