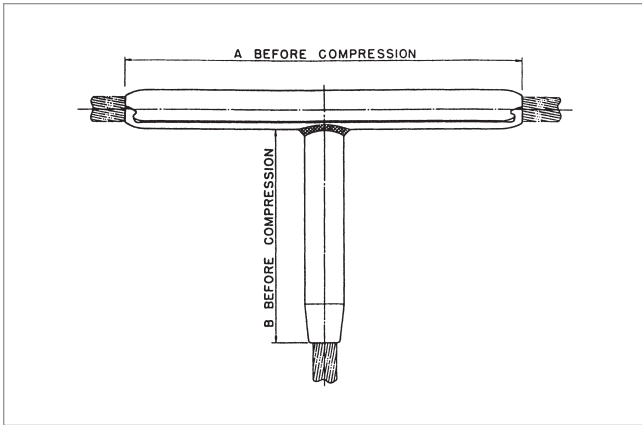


HiTemp Tee Connector—Open Run for ACSS/TW Conductor, 5500HT Series

ACSS/TW ACCESSORIES



The 5500HT Series Tee Connector is a permanent drop specifically designed for ACSS/TW conductors. It is fabricated from a specially tempered aluminum that will transfer elevated current and dissipate increased heat more efficiently.

The run portion incorporates an improved design of interlocking extrusions, providing a permanent grip on the conductor when compressed.

The branch portion of the tee connector is designed for limited tension use, maintaining a minimum of 40% of the ASTM rated strength of the conductor.

For die sizes 30AH and above, the end tapers of the compression portions of all compression accessories are supplied with a high voltage finish.

Ordering Instructions

Step 1: Determine Run Catalog Number

Determine the run catalog number based on the conductor being used.

Step 2: Determine Branch Catalog Number

Determine the branch catalog number based on the conductor being used.

Step 3: Assemble Catalog Number

+

Example:

For a Tee Connector with a run conductor of 954 Cardinal ACSS/TW Conductor and a branch conductor of 1192.5 Grackle ACSS/TW Conductor, the complete catalog number is:

5530.3-36.144HT

Notes:

1. HiTemp AFL Filler Compound (AFCHT) Requirements are on page 340.
2. Installation Instructions for Tee Connectors are on page 351.

HiTemp Tee Connector—Open Run for ACSS/TW Conductor, 5500HT Series (cont.)

PARTIAL CATALOG NUMBER		CONDUCTOR					DIE SIZE	WEIGHT		RUN LENGTH A		BRANCH LENGTH B	
		CODE NAME	SIZE	TYPE	STRANDING	DIAMETER		LBS	KG	IN	MM	IN	MM
RUN	BRANCH		KCMIL		AL/ST	IN							
5520.3	-20.781HT	Oriole/ACSS/TW	336.4	23	18/7	0.693	20AH	2.5	1.1	22.5	569	11.6	294
5524.3	-24.938HT	Flicker/ACSS/TW	477.0	13	18/7	0.776	24AH	3.9	1.8	23.5	594	12.3	310
5524.3	-24.938HT	Hawk/ACSS/TW	477.0	16	18/7	0.789	24AH	3.9	1.8	23.5	594	12.3	310
5524.3	-24.938HT	Hen/ACSS/TW	477.0	23	18/7	0.825	24AH	3.9	1.8	23.5	594	12.3	310
5524.3	-24.969HT	Parakeet/ACSS/TW	556.5	13	18/7	0.835	24AH	3.8	1.7	23.5	594	12.3	310
5524.3	-24.969HT	Dove/ACSS/TW	556.5	16	20/7	0.852	24AH	3.8	1.7	23.5	594	12.3	310
5524.3	-24.969HT	Calumet/ACSS/TW	565.3	16	18/7	0.858	24AH	3.8	1.7	23.5	594	12.3	310
5524.3	-24.969HT	Mohawk/ACSS/TW	571.7	13	18/7	0.846	24AH	3.8	1.7	23.5	594	12.3	310
5527.3	-27.106HT	Rook/ACSS/TW	636.0	13	19/7	0.890	27AH	5.5	2.5	26.3	664	12.8	325
5527.3	-27.106HT	Grosbeak/ACSS/TW	636.0	16	20/7	0.908	27AH	5.5	2.5	26.3	664	12.8	325
5527.3	-27.106HT	Scoter/ACSS/TW	636.0	23	18/7	0.953	27AH	5.5	2.5	26.3	664	12.8	325
5527.3	-27.106HT	Oswego/ACSS/TW	664.8	16	20/7	0.927	27AH	5.5	2.5	26.3	664	12.3	310
5527.3	-27.106HT	Mystic/ACSS/TW	666.6	13	20/7	0.913	27AH	5.5	2.5	26.3	664	12.3	310
5530.3	-30.116HT	Wabash/ACSS/TW	762.8	16	20/7	0.990	30AH	6.4	2.9	27.1	686	13.4	340
5530.3	-30.116HT	Maumee/ACSS/TW	768.2	13	20/7	0.977	30AH	6.4	2.9	27.1	686	13.4	340
5530.3	-30.116HT	Tern/ACSS/TW	795.0	7	17/7	0.960	30AH	6.4	2.9	27.1	686	13.4	340
5530.3	-30.116HT	Puffin/ACSS/TW	795.0	10	18/7	0.980	30AH	6.4	2.9	27.1	686	13.4	340
5530.3	-30.116HT	Condor/ACSS/TW	795.0	13	20/7	0.993	30AH	6.4	2.9	27.1	686	13.4	340
5530.3	-30.122HT	Drake/ACSS/TW	795.0	16	20/7	1.010	30AH	6.4	2.9	27.1	686	13.4	340
5530.3	-30.122HT	Canary/ACSS/TW	900.0	13	30/7	1.055	30AH	6.3	2.9	27.1	686	13.4	340
5530.3	-30.122HT	Fraser/ACSS/TW	946.7	10	35/7	1.077	30AH	6.3	2.9	27.1	686	13.4	340
5530.3	-30.122HT	Phoenix/ACSS/TW	954.0	5	30/7	1.044	30AH	6.3	2.9	27.1	686	13.4	340
5530.3	-30.122HT	Rail/ACSS/TW	954.0	7	32/7	1.061	30AH	6.3	2.9	27.1	686	13.4	340
5530.3	-30.125HT	Cardinal/ACSS/TW	954.0	13	20/7	1.084	30AH	6.2	2.8	27.1	686	13.4	340
5530.3	-30.122HT	Kettle/ACSS/TW	957.2	7	32/7	1.060	30AH	6.3	2.9	27.1	686	13.4	340
5530.3	-30.122HT	Suwannee/ACSS/TW	959.6	16	22/7	1.108	30AH	6.3	2.9	27.1	686	13.4	340
5530.3	-30.122HT	Columbia/ACSS/TW	966.2	13	21/7	1.092	30AH	6.3	2.9	27.1	686	13.4	340
5534.3	-34.128HT	Snowbird/ACSS/TW	1033.5	5	30/7	1.089	34AH	8.9	4.0	28.1	711	14.1	355
5534.3	-34.128HT	Ortolan/ACSS/TW	1033.5	7	32/7	1.102	34AH	8.9	4.0	28.1	711	14.1	355
5534.3	-34.134HT	Curlew/ACSS/TW	1033.5	13	22/7	1.128	34AH	8.7	4.0	28.1	711	14.1	355
5534.3	-34.128HT	—	1080.0	7	20/7	1.131	34AH	8.9	4.0	28.1	711	14.1	355
5534.3	-34.128HT	Avocet/ACSS/TW	1113.0	5	30/7	1.129	34AH	8.9	4.0	28.1	711	14.1	355
5534.3	-34.134HT	Bluejay/ACSS/TW	1113.0	7	33/7	1.143	34AH	8.6	3.9	28.1	711	14.1	355
5534.3	-34.134HT	Finch/ACSS/TW	1113.0	13	38/19	1.185	34AH	8.7	4.0	28.1	711	14.1	355
5534.3	-34.134HT	Genesee/ACSS/TW	1158.0	7	33/7	1.165	34AH	8.7	4.0	28.1	711	14.1	355
5534.3	-34.138HT	Hudson/ACSS/TW	1158.4	13	26/7	1.196	34AH	8.6	3.9	28.1	711	14.1	355
5534.3	-34.134HT	Cheyenne/ACSS/TW	1168.1	5	30/7	1.155	34AH	8.7	4.0	28.1	711	14.1	355
5534.3	-34.138HT	Oxbird/ACSS/TW	1192.5	5	30/7	1.167	34AH	8.6	3.9	28.1	711	14.1	355
5534.3	-34.138HT	Bunting/ACSS/TW	1192.5	7	33/7	1.181	34AH	8.6	3.9	28.1	711	14.1	355
5536.3	-36.144HT	Grackle/ACSS/TW	1192.5	13	38/19	1.225	36AH	9.4	4.3	29.0	733	14.6	370
5534.3	-34.138HT	Yukon/ACSS/TW	1233.6	13	38/19	1.245	34AH	8.6	3.9	28.1	711	14.1	355
5534.3	-34.138HT	Nelson/ACSS/TW	1257.1	7	35/7	1.213	34AH	8.6	3.9	28.1	711	14.1	355

HiTemp Tee Connector—Open Run for ACSS/TW Conductor, 5500HT Series (cont.)

ACCESSORIES
ACSS/TW

PARTIAL CATALOG NUMBER		CONDUCTOR					DIE SIZE	WEIGHT		RUN LENGTH A		BRANCH LENGTH B	
		CODE NAME	SIZE	TYPE	STRANDING	DIAMETER		LBS	KG	IN	MM	IN	MM
RUN	BRANCH		KCMIL		AL/ST	IN							
5536.3	-36.144HT	Scissortail/ACSS/TW	1272.0	5	30/7	1.202	36AH	9.4	4.3	29.0	733	14.6	370
5534.3	-34.138HT	Catawba/ACSS/TW	1272.0	5	30/7	1.203	34AH	8.6	3.9	28.1	711	14.1	355
5536.3	-36.144HT	Bittern/ACSS/TW	1272.0	7	35/7	1.220	36AH	9.4	4.3	29.0	733	14.6	370
5536.3	-36.147HT	Pheasant/ACSS/TW	1272.0	13	39/19	1.264	36AH	9.3	4.2	29.0	733	14.6	370
5536.3	-36.144HT	Thames/ACSS/TW	1334.6	13	39/19	1.290	36AH	9.4	4.3	29.0	733	14.6	370
5536.3	-36.147HT	Dipper/ACSS/TW	1351.5	7	35/7	1.256	36AH	9.3	4.2	29.0	733	14.6	370
5538.3	-38.150HT	Martin/ACSS/TW	1351.5	13	39/19	1.300	38AH	11.1	5.1	29.9	756	15.2	384
5536.3	-36.144HT	Mackenzie/ACSS/TW	1359.7	7	36/7	1.259	36AH	9.4	4.3	29.0	733	14.6	370
5534.3	-34.138HT	Truckee/ACSS/TW	1372.5	5	30/7	1.248	34AH	8.6	3.9	28.1	711	14.1	355
5538.3	-38.150HT	Bobolink/ACSS/TW	1431.0	7	36/7	1.291	38AH	11.1	5.1	29.9	756	15.2	384
5538.3	-38.156HT	Plover/ACSS/TW	1431.0	13	37/19	1.337	38AH	10.8	4.9	29.9	756	15.2	384
5538.3	-38.156HT	Merrimack/ACSS/TW	1433.6	13	39/19	1.340	38AH	10.8	4.9	29.9	756	15.2	384
5538.3	-38.156HT	Miramichi/ACSS/TW	1455.3	7	36/7	1.302	38AH	10.8	4.9	29.9	756	15.2	384
5538.3	-38.156HT	St. Croix/ACSS/TW	1467.8	5	33/7	1.292	38AH	10.8	4.9	29.9	756	15.2	384
5538.3	-38.156HT	Rio Grande/ACSS/TW	1533.3	13	39/19	1.382	38AH	10.8	4.9	29.9	756	15.2	384
5538.3	-38.156HT	Potomac/ACSS/TW	1557.4	7	36/7	1.345	38AH	10.8	4.9	29.9	756	15.2	384
5538.3	-38.156HT	Platte/ACSS/TW	1569.0	5	33/7	1.334	38AH	10.8	4.9	29.9	756	15.2	384
5540.3	-40.162HT	Lapwing/ACSS/TW	1590.0	7	36/7	1.358	40AH	12.6	5.7	30.8	778	15.8	398
5540.3	-40.162HT	Falcon/ACSS/TW	1590.0	13	42/19	1.408	40AH	12.6	5.7	30.8	778	15.8	398
5540.3	-40.162HT	Pecos/ACSS/TW	1622.0	13	39/19	1.424	40AH	12.6	5.7	30.8	778	15.8	398
5540.3	-40.162HT	Schuykill/ACSS/TW	1657.4	7	36/7	1.386	40AH	12.6	5.7	30.8	778	15.8	398
5542.3	-40.168HT	James/ACSS/TW	1730.6	13	34/19	1.470	42AH	14.6	6.6	31.6	800	16.4	414
5540.3	-40.168HT	Pee Dee/ACSS/TW	1758.6	7	37/7	1.427	40AH	13.3	6.1	30.8	778	15.8	398
5540.3	-40.162HT	Schuykill/ACSS/TW	1657.4	7	36/7	1.386	40AH	12.6	5.7	30.8	778	15.8	398
5542.3	-42.168HT	James/ACSS/TW	1730.6	13	34/19	1.470	42AH	14.6	6.6	31.6	800	16.4	414
5540.3	-40.162HT	Pee Dee/ACSS/TW	1758.6	7	37/7	1.427	40AH	13.3	6.1	30.8	778	15.8	398
5542.3	-42.178HT	Chukar/ACSS/TW	1780.0	8	37/19	1.445	42AH	14.2	6.5	31.6	803	16.4	416
5542.3	-42.178HT	Cumberland/ACSS/TW	1926.9	13	42/19	1.545	42AH	14.2	6.5	31.6	803	16.4	416
5542.3	-42.178HT	Athabaska/ACSS/TW	1949.6	7	42/7	1.504	42AH	14.2	6.5	31.6	803	16.4	416
5544.3	-44.184HT	Powder/ACSS/TW	2153.8	8	64/19	1.602	44AH	15.9	7.2	32.5	826	16.0	406
5544.3	-44.184HT	Bluebird/ACSS/TW	2156.0	8	64/19	1.608	44AH	15.9	7.2	32.5	826	16.0	406
5548.3	-48.191HT	Santee/ACSS/TW	2627.3	8	64/19	1.762	48AH	20.9	9.5	32.5	826	16.0	406