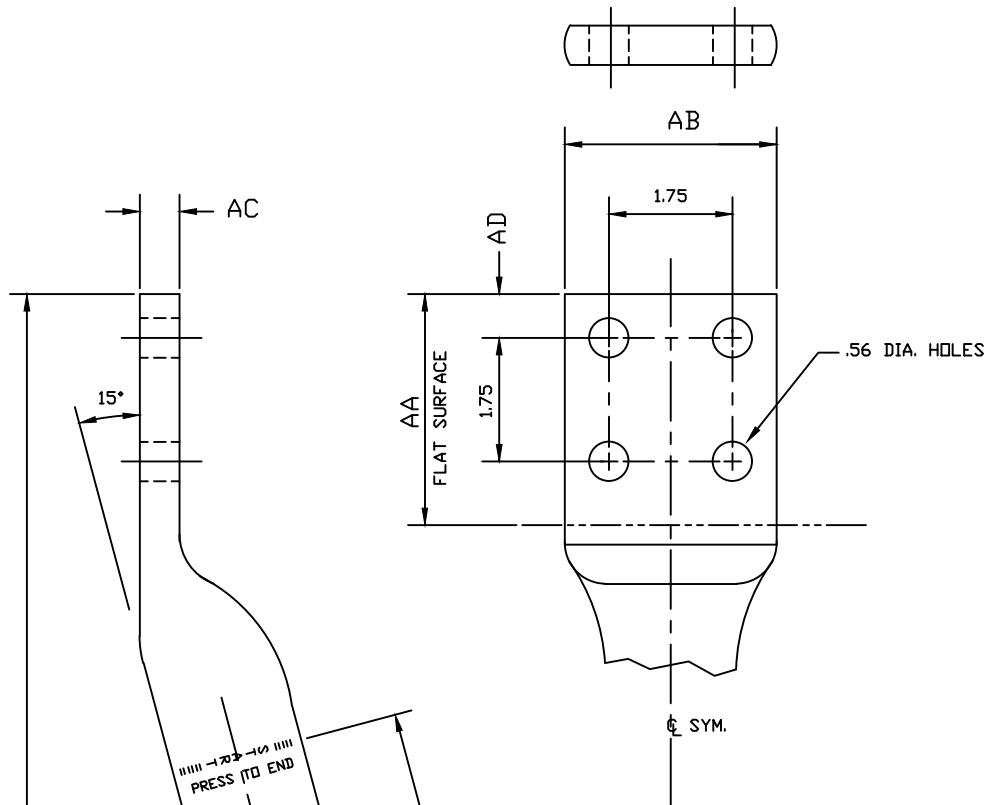


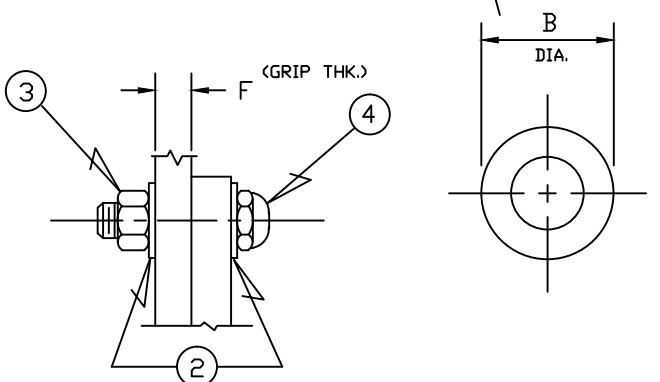
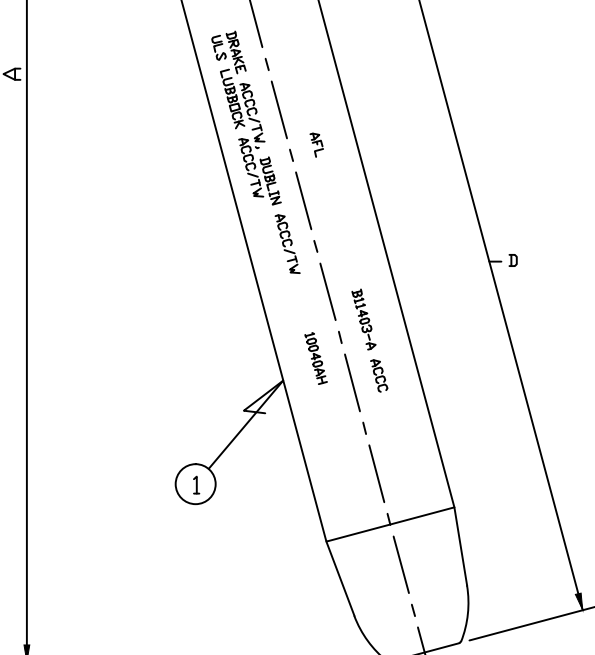
BILL OF MATERIAL					B11403
ITEM	DESCRIPTION	MATERIAL	DETAIL DWG. ITEM	QTY	REMARKS
1	TERMINAL CONNECTOR	ALUM.	B11404	1	
2	WASHER-PLAIN	ALUM.	D2920-4	8	
3	HEX. NUT	ALUM.	D4314-4	4	
4	HEX. HD. BOLT "HV"	ALUM.	SEE TABLE	4	

NOTES:

1. FLATTENED TERMINAL PAD SHALL BE WATER TIGHT.
2. DEBURR ALL SHARP EDGES AND CORNERS.
3. LOOSE POLY-BAG HARDWARE, THEN LOOSE POLY-BAG TERMINAL WITH HARDWARE.
4. TERMINALS ARE SUPPLIED WITH "H.V." BOLTS
5. IDENTIFICATION SHALL CONSIST OF "AFL", CONDUCTOR SIZE, DIE SIZE, AND ASSEMBLY DRAWING AND LETTER.



ASSEMBLY DWG. AND LETTER	CONDUCTOR SIZE	DIMENSIONS IN INCHES										ITEMS PER B/M		'AFCHT' COMPOUND LBS	APPROX. AMOUNT OF 1# TUBE	DIE SIZE	WEIGHT IN LBS.
		A	B	D	F	AA	AB	AC	AD	1	4						
B11403-A-ACCC	DRAKE ACCC/TW, DUBLIN ACCC/TW, ULS LUBBOCK ACCC/TW	19.38	2.500	10.25	.75			4.50	4.00	.69	1.12	B11404-1	C5257-1G	.54	1/2 TUBE	10040AH	6.4
B11403-B-ACCC	HAWK ACCC/TW, LISBON ACCC/TW	16.25	1.875	9.00	.62			3.50	3.00	.56	.62	B11404-2	C5257-1E	.30	1/3 TUBE	10030AH	3.0



ORDERING INFORMATION
 CUSTOMER TO ORDER BY ASSEMBLY DRAWING & LETTER, ie B11403-A-ACCC

ASY. REF. B11381

FAFL			
TERMINAL FOR COMPOSITE CORE CONDUCTOR ACCC/TW			
ASSEMBLY			
DESIGNED BY	DRAWN BY	CHECKED BY	
	W. QUESNEL		
SCALE	DATE	APPROVED BY	
N.T.S.	SEPT 11, 2015		
B11403			
SUPERSEDES		SUPERSEDED BY	
REV. DWG. NDL			