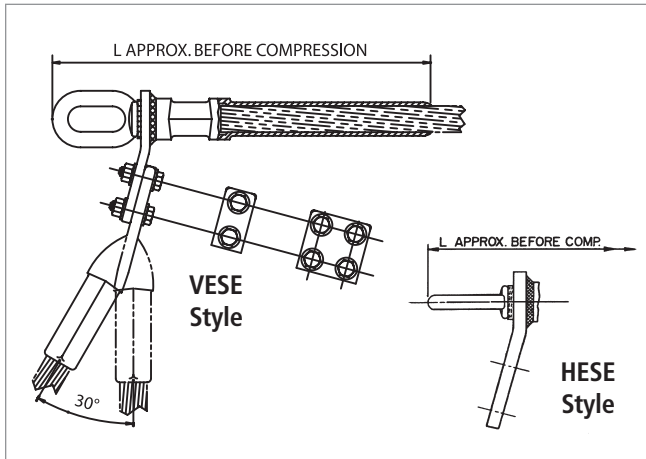


## Quick Compress Dead Ends for AAC Conductor, Eye Type, Single Tongue, VESE/HESE Series



The Quick Compress Dead Ends are designed for fast and easy installation. By using a high strength alloy, the compression length has been shortened for less compression bites while maintaining a minimum 95% of the ASTM rated strength. The steel eye is pre-compressed and the dead end pre-filled, eliminating installation steps.

The dead end tongue and terminal pad are each constructed with a 15° angle, which permits the terminal connector to be bolted in either the straight or the 30° position. Both sides of the pad are finished, creating excellent electrical contact surfaces. For pad to pad connections, AFL recommends the use of No. 2 EJC.

The end tapers of all compression accessories are supplied with a high voltage finish for die sizes 12CD and above. Corona bolts are furnished standard on 15° terminals for these section sizes.

The square edges of bolted pads of the compression accessories could cause Corona. Pads with rounded edges and corners can be supplied by adding the catalog suffix 'EHV'.

### Ordering Instructions

#### Step 1: Assembly Catalog Number

Determine the assembly catalog number based on the conductor being used.

#### Step 2: Terminal Connector

For an assembly without a terminal connector, use 'NT'.  
For an assembly with a terminal connector, leave blank.

#### Step 3: Extra High Voltage Finish

For Extra High Voltage Finish, use 'EHV'. ( $\geq 345$  kV)  
For Standard Finish, leave blank. ( $< 345$  kV)

#### Step 4: Assemble Catalog Number.



#### Example:

For a vertical eye dead end with no terminal and EHV finish for 795 Arbutus, the complete catalog number is:

**VESE110NTEHV**

#### Notes:

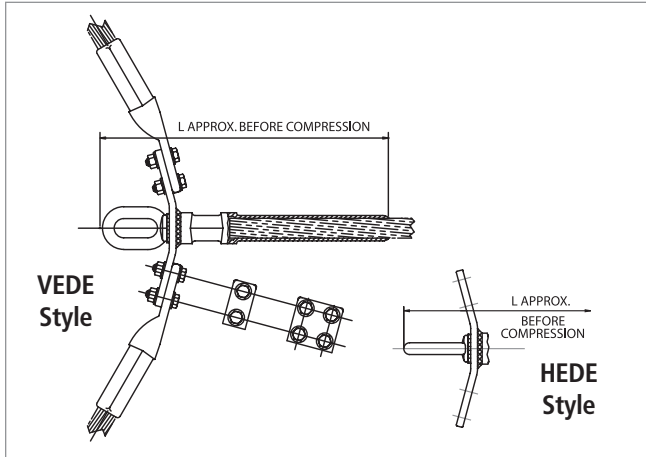
1. Assembly Catalog Number includes dead end, terminal connector and aluminum hardware.
2. Eye Dimensions are on page 257.
3. Pad Dimensions are on page 257.
4. Installation Instructions for Dead Ends are on page 266.
5. Installation Instructions for Terminals are on page 272.
6. For more information on die selection and ordering instructions, see Tools and Equipment tab in this catalog.

## Quick Compress Dead Ends for AAC Conductor, Eye Type, Single Tongue, VESE/HESE Series (cont.)

**AAC ACCESSORIES**

ASSEMBLY CATALOG NUMBER		CONDUCTOR				DIE SIZE	TOTAL WEIGHT		DIMENSION L		PAD SIZE
VERTICAL EYE	HORIZONTAL EYE	CODE WORD	SIZE KCMIL	STRANDING	DIAMETER IN		LBS	KG	IN	MM	
VESE070	HESE070	Peony	300.6	19	0.629	07CD	1.6	0.73	8.9	226	B
VESE070	HESE070	Tulip	336.4	19	0.666	07CD	1.6	0.73	8.9	226	B
VESE070	HESE070	Daffodil	350.0	19	0.679	07CD	1.6	0.73	8.9	226	B
VESE080	HESE080	Canna	397.5	19	0.724	08CD	2.0	0.91	9.3	236	B
VESE090	HESE090	Goldentuft	450.0	19	0.770	09CD	2.8	1.27	10.4	265	B
VESE090	HESE090	Cosmos	477.0	19	0.793	09CD	2.8	1.27	10.4	265	B
VESE090	HESE090	Zinnia	500.0	19	0.811	09CD	2.8	1.27	10.4	265	B
VESE100	HESE100	Dahlia	556.5	19	0.856	10CD	3.2	1.45	10.9	278	B
VESE100	HESE100	Meadowsweet	600.0	37	0.891	10CD	3.2	1.45	10.9	278	B
VESE100	HESE100	Orchid	636.0	37	0.918	10CD	3.2	1.45	10.9	278	B
VESE100	HESE100	Heuchera	650.0	37	0.928	10CD	3.2	1.45	10.9	278	B
VESE110	HESE110	Verbena	700.0	37	0.963	11CD	5.1	2.31	11.8	298	D
VESE110	HESE110	Violet	715.5	37	0.974	11CD	5.1	2.31	11.8	298	D
VESE110	HESE110	Petunia	750.0	37	0.997	11CD	5.1	2.31	11.8	298	D
VESE110	HESE110	Arbutus	795.0	37	1.026	11CD	5.1	2.31	11.8	298	D
VESE110	HESE110	—	800.0	61	1.031	11CD	5.1	2.31	11.8	298	D
VESE120	HESE120	Cockscomb	900.0	37	1.092	12CD	5.6	2.54	12.2	310	D
VESE120	HESE120	Magnolia	954.0	37	1.124	12CD	5.6	2.54	12.2	310	D
VESE130	HESE130	Hawkweed	1000.0	37	1.151	13CD	7.5	3.40	14.1	359	D
VESE130	HESE130	Bluebell	1033.5	37	1.170	13CD	7.5	3.40	14.1	359	D
VESE130	HESE130	Marigold	1113.0	61	1.216	13CD	7.5	3.40	14.1	359	D
VESE140	HESE140	Hawthorn	1192.5	61	1.258	14CD	8.4	3.81	14.6	370	D
VESE140	HESE140	—	1250.0	91	1.289	14CD	8.4	3.81	14.6	370	D
VESE140	HESE140	Narcissus	1272.0	61	1.300	14CD	8.4	3.81	14.6	370	D
VESE140	HESE140	—	1300.0	91	1.315	14CD	8.4	3.81	14.6	370	D
VESE150	HESE150	Columbine	1351.5	61	1.340	15CD	9.3	4.22	15.0	381	D
VESE150	HESE150	Carnation	1431.0	61	1.379	15CD	9.3	4.22	15.0	381	D
VESE150	HESE150	—	1500.0	91	1.412	15CD	9.3	4.22	15.0	381	D
VESE150	HESE150	Gladiolus	1510.5	61	1.417	15CD	9.3	4.22	15.0	381	D
VESE160	HESE160	Coreopsis	1590.0	61	1.454	16CD	11.8	5.35	16.3	414	D
VESE170	HESE170	Jessamine	1750.0	61	1.525	17CD	14.5	6.58	16.7	424	E
VESE180	HESE180	Cowslip	2000.0	91	1.630	18CD	15.7	7.12	17.1	435	E
VESE190	HESE190	Sagebrush	2250.0	91	1.729	19CD	20.0	9.07	19.1	484	E
VESE190	HESE190	—	2300.0		1.750	19CD	20.0	9.07	19.1	484	E
VESE200	HESE200	Lupine	2500.0	91	1.823	20CD	21.3	9.66	19.5	495	E

## Quick Compress Dead Ends for AAC Conductor, Eye Type, Double Tongue, VEDE/HEDE Series



The Quick Compress Dead Ends are designed for fast and easy installation. By using a high strength alloy, the compression length has been shortened for less compression bites while maintaining a minimum 95% of the ASTM rated strength. The steel eye is pre-compressed and the dead end pre-filled, eliminating installation steps.

The dead end tongue and terminal pad are each constructed with a 15° angle, which permits the terminal connector to be bolted in either the straight or the 30° position. Both sides of the pad are finished, creating excellent electrical contact surfaces. For pad to pad connections, AFL recommends the use of No. 2 EJC.

The end tapers of all compression accessories are supplied with a high voltage finish for die sizes 12CD and above. Corona bolts are furnished standard on 15° terminals for these section sizes. The square edges of bolted pads of the compression accessories could cause Corona. Pads with rounded edges and corners can be supplied by adding the catalog suffix 'EHV'.

### Ordering Instructions

#### Step 1: Assembly Catalog Number

Determine the assembly catalog number based on the conductor being used.

#### Step 2: Terminal Connector

For an assembly without a terminal connector, use 'NT'.  
For an assembly with a terminal connector, leave blank.

#### Step 3: Extra High Voltage Finish

For Extra High Voltage Finish, use 'EHV'. (≥ 345 kV)  
For Standard Finish, leave blank. (< 345 kV)

#### Step 4: Assemble Catalog Number.



#### Example:

For a vertical eye dead end with no terminal and EHV finish for 795 Arbutus, the complete catalog number is:

**VEDE110NTEHV**

#### Notes:

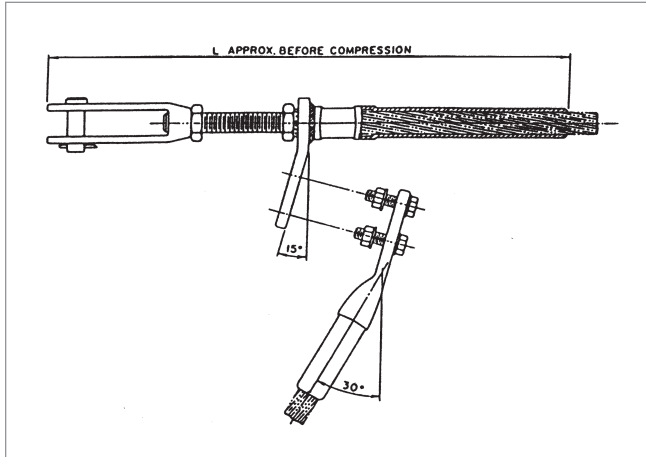
1. Assembly Catalog Number includes dead end, two terminal connectors and aluminum hardware.
2. Eye Dimensions are on page 257.
3. Pad Dimensions are on page 257.
4. Installation Instructions for Dead Ends are on page 266.
5. Installation Instructions for Terminals are on page 272.
6. For more information on die selection and ordering instructions, see Tools and Equipment tab in this catalog.

## Quick Compress Dead Ends for AAC Conductor, Eye Type, Double Tongue, VEDE/HEDE Series (cont.)

**AAC ACCESSORIES**

ASSEMBLY CATALOG NUMBER		CONDUCTOR				DIE SIZE	TOTAL WEIGHT		DIMENSION L		PAD SIZE
VERTICAL EYE	HORIZONTAL EYE	CODE WORD	SIZE	STRANDING	DIAMETER		LBS	KG	IN	MM	
			KCMIL	AL	IN						
VEDE070	HEDE070	Peony	300.0	19	0.629	07CD	2.5	1.13	8.9	226	B
VEDE070	HEDE070	Tulip	336.4	19	0.666	07CD	2.5	1.13	8.9	226	B
VEDE070	HEDE070	Daffodil	350.0	19	0.679	07CD	2.5	1.13	8.9	226	B
VEDE080	HEDE080	Canna	397.5	19	0.724	08CD	3.0	1.36	9.3	236	B
VEDE090	HEDE090	Goldentuft	450.0	19	0.770	09CD	4.1	1.86	10.4	265	B
VEDE090	HEDE090	Cosmos	477.0	19	0.793	09CD	4.1	1.86	10.4	265	B
VEDE090	HEDE090	Zinnia	500.0	19	0.811	09CD	4.1	1.86	10.4	265	B
VEDE100	HEDE100	Dahlia	556.5	19	0.856	10CD	4.8	2.18	10.9	278	B
VEDE100	HEDE100	Meadowsweet	600.0	37	0.891	10CD	4.8	2.18	10.9	278	B
VEDE100	HEDE100	Orchid	636.0	37	0.918	10CD	4.8	2.18	10.9	278	B
VEDE100	HEDE100	Heuchera	650.0	37	0.928	10CD	4.8	2.18	10.9	278	B
VEDE110	HEDE110	Verbena	700.0	37	0.963	11CD	7.3	3.31	11.8	298	D
VEDE110	HEDE110	Violet	715.5	37	0.974	11CD	7.3	3.31	11.8	298	D
VEDE110	HEDE110	Petunia	750.0	37	0.997	11CD	7.3	3.31	11.8	298	D
VEDE110	HEDE110	Arbutus	795.0	37	1.026	11CD	7.3	3.31	11.8	298	D
VEDE110	HEDE110	—	800.0	61	1.031	11CD	7.3	3.31	11.8	298	D
VEDE120	HEDE120	Cockscomb	900.0	37	1.092	12CD	8.3	3.76	12.2	310	D
VEDE120	HEDE120	Magnolia	954.0	37	1.124	12CD	8.3	3.76	12.2	310	D
VEDE130	HEDE130	Hawkweed	1000.0	37	1.151	13CD	10.6	4.80	14.1	359	D
VEDE130	HEDE130	Bluebell	1033.5	37	1.170	13CD	10.6	4.80	14.1	359	D
VEDE130	HEDE130	Marigold	1113.0	61	1.216	13CD	10.6	4.80	14.1	359	D
VEDE140	HEDE140	Hawthorn	1192.5	61	1.258	14CD	12.0	5.44	14.6	370	D
VEDE140	HEDE140	—	1250.0	91	1.289	14CD	12.0	5.44	14.6	370	D
VEDE140	HEDE140	Narcissus	1272.0	61	1.300	14CD	12.0	5.44	14.6	370	D
VEDE140	HEDE140	—	1300.0	91	1.315	14CD	12.0	5.44	14.6	370	D
VEDE150	HEDE150	Columbine	1351.5	61	1.340	15CD	13.3	6.03	15.0	381	D
VEDE150	HEDE150	Carnation	1431.0	61	1.379	15CD	13.3	6.03	15.0	381	D
VEDE150	HEDE150	—	1500.0	91	1.412	15CD	13.3	6.03	15.0	381	D
VEDE150	HEDE150	Gladiolus	1510.5	61	1.417	15CD	13.3	6.03	15.0	381	D
VEDE160	HEDE160	Coreopsis	1590.0	61	1.454	16CD	16.4	7.44	16.3	414	D
VEDE170	HEDE170	Jessamine	1750.0	61	1.525	17CD	20.2	9.16	16.7	424	E
VEDE180	HEDE180	Cowslip	2000.0	91	1.630	18CD	22.0	9.98	17.1	435	E
VEDE190	HEDE190	Sagebrush	2250.0	91	1.729	19CD	27.4	12.43	19.1	484	E
VEDE190	HEDE190	—	2300.0	91	1.750	19CD	27.4	12.43	19.1	484	E
VEDE200	HEDE200	Lupine	2500.0	91	1.823	20CD	29.2	13.24	19.5	495	E

## Quick Compress Dead Ends for AAC Conductor, Adjustable Clevis Type, Single Tongue, ACSE Series



The Quick Compress Dead Ends are designed for fast and easy installation. By using a high strength alloy, the compression length has been shortened for less compression bites while maintaining a minimum 95% of the ASTM rated strength. The adjustable steel clevis is pre-compressed and the dead end pre-filled, eliminating installation steps.

The dead end tongue and terminal pad are each constructed with a 15° angle, which permits the terminal connector to be bolted in either the straight or the 30° position. Both sides of the pad are finished, creating excellent electrical contact surfaces. For pad to pad connections, AFL recommends the use of No. 2 EJC.

The end tapers of all compression accessories are supplied with a high voltage finish for die sizes 12CD and above. Corona bolts are furnished standard on 15° terminals for these section sizes. The square edges of bolted pads of the compression accessories could cause Corona. Pads with rounded edges and corners can be supplied by adding the catalog suffix 'EHV'.

### Ordering Instructions

#### Step 1: Assembly Catalog Number

Determine the assembly catalog number based on the conductor being used.

#### Step 2: Terminal Connector

For an assembly without a terminal connector, use 'NT'.  
For an assembly with a terminal connector, leave blank.

#### Step 3: Extra High Voltage Finish

For Extra High Voltage Finish, use 'EHV'. ( $\geq 345$  kV)  
For Standard Finish, leave blank. ( $< 345$  kV)

#### Step 4: Assemble Catalog Number.



#### Example:

For an adjustable clevis dead end with no terminal and EHV finish for 795 Arbutus, the complete catalog number is:

**ACSE110NTEHV**

#### Notes:

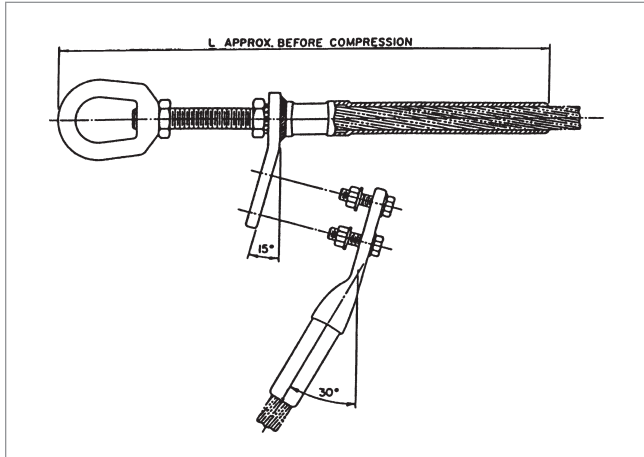
1. Assembly Catalog Number includes dead end, terminal connector and aluminum hardware.
2. Clevis Dimensions are on page 258.
3. Pad Dimensions are on page 257.
4. Installation Instructions for Dead Ends are on page 266.
5. Installation Instructions for Terminals are on page 272.
6. For more information on die selection and ordering instructions, see Tools and Equipment tab in this catalog.

## Quick Compress Dead Ends for AAC Conductor, Adjustable Clevis Type, Single Tongue, ACSE Series (cont.)

**AAC ACCESSORIES**

ASSEMBLY CATALOG NUMBER	CONDUCTOR				DIE SIZE	TOTAL WEIGHT		DIMENSION L		PAD SIZE
	CODE WORD	SIZE	STRANDING	DIAMETER		LBS	KG	IN	MM	
		KCMIL		IN						
ACSE070	Peony	300.0	19	0.629	07CD	4.1	1.86	16.6	442	B
ACSE070	Tulip	336.4	19	0.666	07CD	4.1	1.86	16.6	442	B
ACSE070	Daffodil	350.0	19	0.679	07CD	4.1	1.86	16.6	442	B
ACSE080	Canna	397.5	19	0.724	08CD	4.8	2.18	17.2	437	B
ACSE090	Goldentuft	450.0	19	0.770	09CD	5.8	2.63	18.3	465	B
ACSE090	Cosmos	477.0	19	0.793	09CD	5.8	2.63	18.3	465	B
ACSE090	Zinnia	500.0	19	0.811	09CD	5.8	2.63	18.3	465	B
ACSE100	Dahlia	556.5	19	0.856	10CD	6.2	2.81	18.8	476	B
ACSE100	Meadowsweet	600.0	37	0.891	10CD	6.2	2.81	18.8	476	B
ACSE100	Orchid	636.0	37	0.918	10CD	6.2	2.81	18.8	476	B
ACSE100	Heuchera	650.0	37	0.928	10CD	6.2	2.81	18.8	476	B
ACSE110	Verbena	700.0	37	0.963	11CD	10.7	4.85	21.8	554	D
ACSE110	Violet	715.5	37	0.974	11CD	10.7	4.85	21.8	554	D
ACSE110	Petunia	750.0	37	0.997	11CD	10.7	4.85	21.8	554	D
ACSE110	Arbutus	795.0	37	1.026	11CD	10.7	4.85	21.8	554	D
ACSE110	—	800.0	61	1.031	11CD	10.7	4.85	21.8	554	D
ACSE120	Cockscomb	900.0	37	1.092	12CD	11.2	5.08	22.3	565	D
ACSE120	Magnolia	954.0	37	1.124	12CD	11.2	5.08	22.3	565	D
ACSE130	Hawkweed	1000.0	37	1.151	13CD	13.9	6.30	23.8	605	D
ACSE130	Bluebell	1033.5	37	1.170	13CD	13.9	6.30	23.8	605	D
ACSE130	Marigold	1113.0	61	1.216	13CD	13.9	6.30	23.8	605	D
ACSE140	Hawthorn	1192.5	61	1.258	14CD	14.8	6.71	24.3	616	D
ACSE140	—	1250.0	91	1.289	14CD	14.8	6.71	24.3	616	D
ACSE140	Narcissus	1272.0	61	1.300	14CD	14.8	6.71	24.3	616	D
ACSE140	—	1300.0	91	1.315	14CD	14.8	6.71	24.3	616	D
ACSE150	Columbine	1351.5	61	1.340	15CD	15.7	7.12	24.7	627	D
ACSE150	Carnation	1431.0	61	1.379	15CD	15.7	7.12	24.7	627	D
ACSE150	—	1500.0	91	1.412	15CD	15.7	7.12	24.7	627	D
ACSE150	Gladiolus	1510.5	61	1.417	15CD	15.7	7.12	24.7	627	D
ACSE160	Coreopsis	1590.0	61	1.454	16CD	21.9	9.93	28.4	721	D
ACSE170	Jessamine	1750.0	61	1.525	17CD	24.6	11.16	28.9	734	E
ACSE180	Cowslip	2000.0	91	1.630	18CD	25.8	11.70	29.3	743	E
ACSE190	Sagebrush	2250.0	91	1.729	19CD	33.9	15.38	31.1	789	E
ACSE190	—	2300.0	91	1.750	19CD	33.9	15.38	31.1	789	E
ACSE200	Lupine	2500.0	91	1.823	20CD	35.2	15.97	31.5	800	E

## Quick Compress Dead Ends for AAC Conductor, Adjustable Eye Type, Single Tongue, AESE Series



The Quick Compress Dead Ends are designed for fast and easy installation. By using a high strength alloy, the compression length has been shortened for less compression bites while maintaining a minimum 95% of the ASTM rated strength. The adjustable steel eye is pre-compressed and the dead end pre-filled, eliminating installation steps.

The dead end tongue and terminal pad are each constructed with a 15° angle, which permits the terminal connector to be bolted in either the straight or the 30° position. Both sides of the pad are finished, creating excellent electrical contact surfaces. For pad to pad connections, AFL recommends the use of No. 2 EJC.

The end tapers of all compression accessories are supplied with a high voltage finish for die sizes 12CD and above. Corona bolts are furnished standard on 15° terminals for these section sizes. The square edges of bolted pads of the compression accessories could cause Corona. Pads with rounded edges and corners can be supplied by adding the catalog suffix 'EHV'.

### Ordering Instructions

#### Step 1: Assembly Catalog Number

Determine the assembly catalog number based on the conductor being used.

#### Step 2: Terminal Connector

For an assembly without a terminal connector, use 'NT'.  
For an assembly with a terminal connector, leave blank.

#### Step 3: Extra High Voltage Finish

For Extra High Voltage Finish, use 'EHV'. ( $\geq 345$  kV)  
For Standard Finish, leave blank. ( $< 345$  kV)

#### Step 4: Assemble Catalog Number.



#### Example:

For an adjustable eye dead end with no terminal and EHV finish for 795 Arbutus, the complete catalog number is:

**AESE110NTEHV**

#### Notes:

1. Assembly Catalog Number includes dead end, terminal connector and aluminum hardware.
2. Eye Dimensions are on page 258.
3. Pad Dimensions are on page 257.
4. Installation Instructions for Dead Ends are on page 266.
5. Installation Instructions for Terminals are on page 272.
6. For more information on die selection and ordering instructions, see Tools and Equipment tab in this catalog.

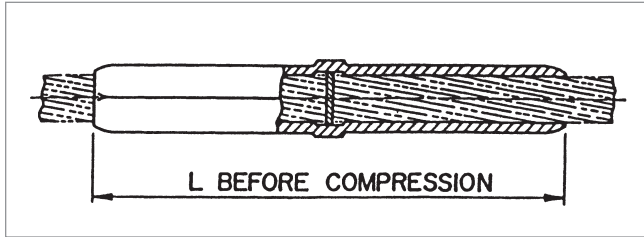
## Quick Compress Dead Ends for AAC Conductor, Adjustable Eye Type, Single Tongue, AESE Series (cont.)

**AAC ACCESSORIES**

ASSEMBLY CATALOG NUMBER	CONDUCTOR				DIE SIZE	TOTAL WEIGHT		DIMENSION L		PAD SIZE
	CODE WORD	SIZE	STRANDING	DIAMETER		LBS	KG	IN	MM	
		KCMIL		IN						
AESE070	Peony	300.6	19	0.629	07CD	2.6	1.18	13.8	351	B
AESE070	Tulip	336.4	19	0.666	07CD	2.6	1.18	13.8	351	B
AESE070	Daffodil	350.0	19	0.679	07CD	2.6	1.18	13.8	351	B
AESE080	Canna	397.5	19	0.724	08CD	3.7	1.68	14.8	377	B
AESE090	Goldentuft	450.0	19	0.770	09CD	5.3	2.40	16.4	415	B
AESE090	Cosmos	477.0	19	0.793	09CD	5.3	2.40	16.4	415	B
AESE090	Zinnia	500.0	19	0.811	09CD	5.3	2.40	16.4	415	B
AESE100	Dahlia	556.5	19	0.856	10CD	5.7	2.59	16.8	427	B
AESE100	Meadowsweet	600.0	37	0.891	10CD	5.7	2.59	16.8	427	B
AESE100	Orchid	636.0	37	0.918	10CD	5.7	2.59	16.8	427	B
AESE100	Heuchera	650.0	37	0.928	10CD	5.7	2.59	16.8	427	B
AESE110	Verbena	700.0	37	0.963	11CD	8.7	3.95	19.1	485	D
AESE110	Violet	715.5	37	0.974	11CD	8.7	3.95	19.1	485	D
AESE110	Petunia	750.0	37	0.997	11CD	8.7	3.95	19.1	485	D
AESE110	Arbutus	795.0	37	1.026	11CD	8.7	3.95	19.1	485	D
AESE110	—	800.0	61	1.031	11CD	8.7	3.95	19.1	485	D
AESE120	Cockscomb	900.0	37	1.092	12CD	9.3	4.22	19.6	497	D
AESE120	Magnolia	954.0	37	1.124	12CD	9.3	4.22	19.6	497	D
AESE130	Hawkweed	1000.0	37	1.151	13CD	13.1	5.94	21.6	549	D
AESE130	Bluebell	1033.5	37	1.170	13CD	13.1	5.94	21.6	549	D
AESE130	Marigold	1113.0	61	1.216	13CD	13.1	5.94	21.6	549	D
AESE140	Hawthorn	1192.5	61	1.258	14CD	14.0	6.35	22.1	561	D
AESE140	—	1250.0	91	1.289	14CD	14.0	6.35	22.1	561	D
AESE140	Narcissus	1272.0	61	1.300	14CD	14.0	6.35	22.1	561	D
AESE140	—	1300.0	91	1.315	14CD	14.0	6.35	22.1	561	D
AESE150	Columbine	1351.5	61	1.340	15CD	14.9	6.76	22.5	571	D
AESE150	Carnation	1431.0	61	1.379	15CD	14.9	6.76	22.5	571	D
AESE150	—	1500.0	91	1.412	15CD	14.9	6.76	22.5	571	D
AESE150	Gladiolus	1510.5	61	1.417	15CD	14.9	6.76	22.5	571	D
AESE160	Coreopsis	1590.0	61	1.454	16CD	21.8	9.89	25.7	653	D
AESE170	Jessamine	1750.0	61	1.525	17CD	24.6	11.16	26.2	664	E
AESE180	Cowslip	2000.0	91	1.630	18CD	25.8	11.70	26.5	674	E
AESE190	Sagebrush	2250.0	91	1.729	19CD	31.0	14.60	28.1	713	E
AESE190	—	2300.0	91	1.750	19CD	31.0	14.60	28.1	713	E
AESE200	Lupine	2500.0	91	1.823	20CD	32.3	14.65	28.5	724	E



## Quick Compress Compression Joints for AAC Conductor, CJE Series



The Quick Compress CJE Series Joints are designed for fast and easy installation. By using a high strength alloy, the compression length has been shortened for less compression bites while maintaining a minimum 95% of the ASTM rated strength. The compression joint is pre-filled, eliminating an installation step. Each compression joint has a center stop to ensure proper insertion of the conductor.

The end tapers of all compression accessories are supplied with a high voltage finish for die size sections 12CD and above.

### Ordering Instructions

#### Step 1: Assembly Catalog Number

Determine the assembly catalog number based on the conductor being used.

#### Example:

A compression joint for 795 Arbutus conductor, the complete catalog number is:

**CJE11**

#### Notes:

1. Installation Instructions for Compression Joints are on page 268.
2. For more information on die selection and ordering instructions, see Tools and Equipment tab in this catalog.

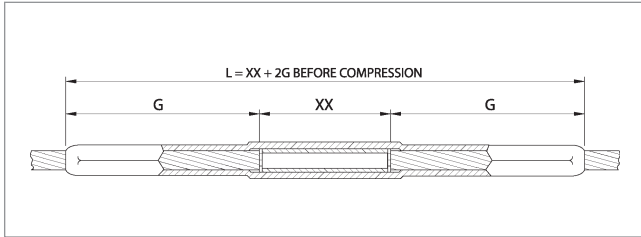
CATALOG NUMBER	CONDUCTOR				DIE SIZE	TOTAL WEIGHT		DIMENSION L	
	CODE NAME	SIZE	STRANDING	DIAMETER		LBS	KG	IN	MM
		KCMIL		IN					
CJE07	Peony	300.0	19	0.629	07CD	0.3	0.13	5.6	142
CJE07	Tulip	336.4	19	0.666	07CD	0.3	0.13	5.6	142
CJE07	Daffodil	350.0	19	0.679	07CD	0.3	0.13	5.6	142
CJE08	Canna	397.5	19	0.724	08CD	0.4	0.20	6.4	163
CJE09	Goldentuft	450.0	19	0.770	09CD	0.6	0.28	7.2	183
CJE09	Cosmos	477.0	19	0.793	09CD	0.6	0.28	7.2	183
CJE09	Zinnia	500.0	19	0.811	09CD	0.6	0.28	7.2	183
CJE10	Dahlia	556.5	19	0.856	10CD	0.9	0.39	8.0	203
CJE10	Meadowsweet	600.0	37	0.891	10CD	0.9	0.39	8.0	203
CJE10	Orchid	636.0	37	0.918	10CD	0.9	0.39	8.0	203
CJE10	Heuchera	650.0	37	0.928	10CD	0.9	0.39	8.0	203
CJE11	Verbena	700.0	37	0.963	11CD	1.1	0.50	8.8	224
CJE11	Violet	715.5	37	0.974	11CD	1.1	0.50	8.8	224
CJE11	Petunia	750.0	37	0.997	11CD	1.1	0.50	8.8	224
CJE11	Arbutus	795.0	37	1.026	11CD	1.1	0.50	8.8	224
CJE11	—	800.0	61	1.031	11CD	1.1	0.50	8.8	224
CJE12	Cockscomb	900.0	37	1.092	12CD	1.5	0.68	9.6	244
CJE12	Magnolia	964.0	37	1.124	12CD	1.5	0.68	9.6	244

## Quick Compress Compression Joints for AAC Conductor, CJE Series (cont.)

AAC ACCESSORIES

CATALOG NUMBER	CONDUCTOR				DIE SIZE	TOTAL WEIGHT		DIMENSION L	
	CODE NAME	SIZE	STRANDING	DIAMETER		LBS	KG	IN	MM
		KCMIL		IN					
CJE12	Magnolia	954.0	37	1.124	12CD	1.5	0.68	9.6	244
CJE13	Hawkweed	1000.0	37	1.151	13CD	1.8	0.82	10.4	264
CJE13	Bluebell	1033.5	37	1.170	13CD	1.8	0.82	10.4	264
CJE13	Marigold	1113.0	61	1.216	13CD	1.8	0.82	10.4	264
CJE14	Hawthorn	1192.5	61	1.258	14CD	2.3	1.04	11.2	284
CJE14	—	1250.0	91	1.289	14CD	2.3	1.04	11.2	284
CJE14	Narcissus	1272.0	61	1.300	14CD	2.3	1.04	11.2	284
CJE14	—	1300.0	91	1.315	14CD	2.3	1.04	11.2	284
CJE15	Columbine	1351.5	61	1.340	15CD	2.8	1.27	12.0	305
CJE15	Carnation	1431.0	61	1.379	15CD	2.8	1.27	12.0	305
CJE15	—	1500.0	91	1.412	15CD	2.8	1.27	12.0	305
CJE15	Gladiolus	1510.5	61	1.417	15CD	2.8	1.27	12.0	305
CJE16	Coreopsis	1590.0	61	1.454	16CD	3.4	1.54	12.8	325
CJE17	Jessamine	1750.0	61	1.525	17CD	4.1	1.86	13.6	345
CJE18	Cowslip	2000.0	91	1.630	18CD	4.9	2.22	14.4	366
CJE19	Sagebrush	2250.0	91	1.729	19CD	5.7	2.59	15.2	386
CJE19	—	2300.0	91	1.750	19CD	5.7	2.59	15.2	386
CJE20	Lupine	2500.0	91	1.823	20CD	6.7	3.04	16.0	406

## Quick Compress Replacement Compression Joints for AAC Conductor, CJER Series



The Quick Compress Replacement Joints are used to replace damaged conductor in midspan. They are designed for fast and easy installation. By using a high strength alloy, the compression length has been shortened for less compression bites, while maintaining a minimum 95% of the ASTM rated strength. The replacement joint is pre-filled, eliminating an installation step.

The end tapers of all compression accessories are supplied with a high voltage finish for die size sections 12CD and above.

### Ordering Instructions

#### Step 1: Assembly Catalog Number

Determine the assembly catalog number based on the conductor being used.

#### Step 2: Determine Length of Conductor Removed (XX)

Determine the length of conductor (XX) that will be cut out, to the nearest inch (Maximum 48").

#### Step 3: Assemble Catalog Number



#### Example:

A replacement compression joint for 795 Arbutus conductor with a removed conductor length of 24 inches, the complete catalog number is:

**CJE110R24**

#### Notes:

1. Installation Instructions for Compression Joints are on page 268.
2. For more information on die selection and ordering instructions, see Tools and Equipment tab in this catalog.

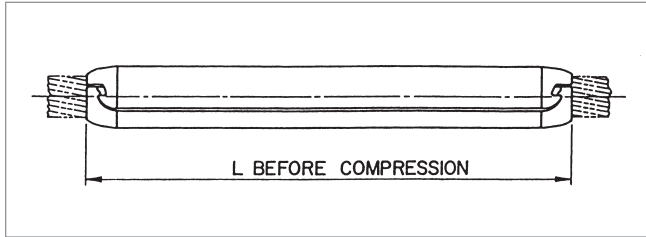
CATALOG NUMBER	CONDUCTOR				DIE SIZE	DIMENSION G	
	CODE WORD	SIZE	STRANDING	DIAMETER		IN	MM
		KCMIL	AL	IN			
CJE070RXX	Peony	300.6	19	0.629	07CD	7.6	192
CJE070RXX	Tulip	336.4	19	0.666	07CD	7.6	192
CJE070RXX	Daffodil	350.0	19	0.679	07CD	7.6	192
CJE080RXX	Canna	397.5	19	0.724	08CD	8.4	212
CJE090RXX	Goldentuft	450.0	19	0.770	09CD	9.2	233
CJE090RXX	Cosmos	477.0	19	0.793	09CD	9.2	233
CJE090RXX	Zinnia	500.0	19	0.811	09CD	9.2	233
CJE100RXX	Dahlia	556.5	19	0.856	10CD	10.0	253
CJE100RXX	Meadowsweet	600.0	37	0.891	10CD	10.0	253
CJE100RXX	Orchid	636.0	37	0.918	10CD	10.0	253
CJE100RXX	Heuchera	650.0	37	0.928	10CD	10.0	253
CJE110RXX	Verbena	700.0	37	0.963	11CD	10.8	273
CJE110RXX	Violet	715.5	37	0.974	11CD	10.8	273
CJE110RXX	Petunia	750.0	37	0.997	11CD	10.8	273
CJE110RXX	Arbutus	795.0	37	1.026	11CD	10.8	273
CJE110RXX	—	800.0	61	1.031	11CD	10.8	273
CJE120RXX	Cockscomb	900.0	37	1.092	12CD	11.6	294

## Quick Compress Replacement Compression Joints for AAC Conductor, CJER Series (cont.)

**AAC  
ACCESSORIES**

CATALOG NUMBER	CONDUCTOR				DIE SIZE	DIMENSION G	
	CODE WORD	SIZE	STRANDING	DIAMETER		IN	MM
		KCMIL	AL	IN			
CJE120RXX	Magnolia	954.0	37	1.124	12CD	11.8	294
CJE130RXX	Hawkweed	1000.0	37	1.151	13CD	12.4	314
CJE130RXX	Bluebell	1033.5	37	1.170	13CD	12.4	314
CJE130RXX	Marigold	1113.0	61	1.216	13CD	12.4	314
CJE140RXX	Hawthorn	1192.5	61	1.258	14CD	13.2	334
CJE140RXX	—	1250.0	91	1.289	14CD	13.2	334
CJE140RXX	Narcissus	1272.0	61	1.300	14CD	13.2	334
CJE140RXX	—	1300.0	91	1.315	14CD	13.2	334
CJE150RXX	Columbine	1351.5	61	1.340	15CD	14.0	355
CJE150RXX	Carnation	1431.0	61	1.379	15CD	14.0	355
CJE150RXX	—	1500.0	91	1.412	15CD	14.0	355
CJE150RXX	Gladiolus	1510.5	61	1.417	15CD	14.0	355
CJE160RXX	Coreopsis	1590.0	61	1.454	16CD	14.8	375
CJE170RXX	Jessamine	1750.0	61	1.525	17CD	15.6	395
CJE180RXX	Cowslip	2000.0	91	1.630	18CD	16.4	416
CJE190RXX	Sagebrush	2250.0	91	1.729	19CD	17.2	436
CJE190RXX	—	2300.0	—	1.750	19CD	17.2	436
CJE200RXX	Lupine	2500.0	91	1.823	20CD	18.0	456

## Quick Compress Repair Sleeve for AAC Conductor, RS Series



The Quick Compress Repair Sleeve is designed for ACSR, AAC, AAAC and ACAR conductors. The repair sleeve incorporates an improved design of interlocking extrusions, providing a permanent grip on the conductor when compressed.

The repair sleeve will restore the conductor to 95% of its ASTM rated strength where up to one-third of the aluminum strands are damaged.

### Ordering Instructions

#### Step 1: Assembly Catalog Number

Determine the assembly catalog number based on the conductor being used.

#### Example:

A repair sleeve for 795 Arbutus conductor, the complete catalog number is:

**RS11**

#### Notes:

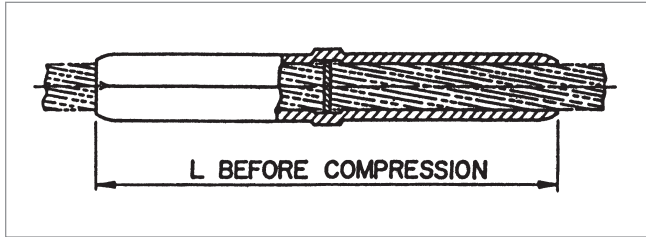
1. Installation Instructions for Compression Joints are on page 270.
2. For more information on die selection and ordering instructions, see the AFL Tool Catalog.

AFL NO.	CONDUCTOR				DIE SIZE	TOTAL WEIGHT		DIMENSION L	
	CODE WORD	SIZE	STRANDING	DIAMETER		LBS	KG	IN	MM
		KCMIL		IN					
RS07	Peony	300.0	19	0.629	07CD	0.4	0.17	8.4	213
RS07	Tulip	336.4	19	0.666	07CD	0.4	0.17	8.4	213
RS07	Daffodil	350.0	19	0.679	07CD	0.4	0.17	8.4	213
RS08	Canna	397.5	19	0.724	08CD	0.6	0.26	9.6	244
RS09	Goldentuft	450.0	19	0.770	09CD	0.8	0.38	10.8	274
RS09	Cosmos	477.0	19	0.793	09CD	0.8	0.38	10.8	274
RS09	Zinnia	500.0	19	0.811	09CD	0.8	0.38	10.8	274
RS10	Dahlia	556.5	19	0.856	10CD	1.1	0.50	12.0	305
RS10	Meadowsweet	600.0	37	0.891	10CD	1.1	0.50	12.0	305
RS10	Orchid	636.0	37	0.918	10CD	1.1	0.50	12.0	305
RS10	Heuchera	650.0	37	0.928	10CD	1.1	0.50	12.0	305
RS11	Verbena	700.0	37	0.963	11CD	1.5	0.68	13.2	335
RS11	Violet	715.5	37	0.974	11CD	1.5	0.68	13.2	335
RS11	Petunia	750.0	37	0.997	11CD	1.5	0.68	13.2	335
RS11	Arbutus	795.0	37	1.026	11CD	1.5	0.68	13.2	335
RS11	—	800.0	61	1.031	11CD	1.5	0.68	13.2	335
RS12	Cockscomb	900.0	37	1.092	12CD	1.9	0.86	14.4	366
RS12	Magnolia	954.0	37	1.124	12CD	1.9	0.86	14.4	366

**Quick Compress Repair Sleeve for AAC Conductor, RS Series (cont.)**
**AAC  
ACCESSORIES**

AFL NO.	CONDUCTOR				DIE SIZE	TOTAL WEIGHT		DIMENSION L	
	CODE WORD	SIZE	STRANDING	DIAMETER		LBS	KG	IN	MM
		KCMIL		IN					
RS13	Hawkweed	1000.0	37	1.151	13CD	2.4	1.09	15.6	396
RS13	Bluebell	1033.5	37	1.170	13CD	2.4	1.09	15.6	396
RS13	Marigold	1113.0	61	1.216	13CD	2.4	1.09	15.6	396
RS14	Hawthorn	1192.5	61	1.258	14CD	3.1	1.41	16.8	427
RS14	—	1250.0	91	1.289	14CD	3.1	1.41	16.8	427
RS14	Narcissus	1272.0	61	1.300	14CD	3.1	1.41	16.8	427
RS14	—	1300.0	91	1.315	14CD	3.1	1.41	16.8	427
RS15	Columbine	1351.5	61	1.340	15CD	3.8	1.72	18.0	457
RS15	Carnation	1431.0	61	1.379	15CD	3.8	1.72	18.0	457
RS15	—	1500.0	91	1.412	15CD	3.8	1.72	18.0	457
RS15	Gladiolus	1510.5	61	1.417	15CD	3.8	1.72	18.0	457
RS16	Coreopsis	1590.0	61	1.454	16CD	4.6	2.09	19.2	488
RS17	Jessamine	1750.0	61	1.525	17CD	5.5	2.49	20.4	518
RS18	Cowslip	2000.0	91	1.630	18CD	6.6	2.99	21.6	549
RS19	Sagebrush	2250.0	91	1.729	19CD	7.8	3.54	22.8	579
RS19	—	2300.0	91	1.750	19CD	7.8	3.54	22.8	579
RS20	Lupine	2500.0	91	1.823	20CD	9.1	4.13	24.0	610

## Quick Compress Jumper Connector for AAC Conductor, JC Series



The Quick Compress Jumper Connector is designed for fast and easy installation. By using a high strength alloy, the compression length has been shortened for less compression bites. The jumper connector is pre-filled, eliminating an installation step. Each jumper connector has a center stop, making it easy to center the jumper on the conductor.

All Quick Compress Jumper Connectors are designed for limited tension use, maintaining a minimum of 40% of the ASTM rated strength of the conductor.

The end tapers of all compression accessories are supplied with a High Voltage finish for die size sections 12CD and above.

### Ordering Instructions

#### Step 1: Assembly Catalog Number

Determine the assembly catalog number based on the conductor being used.

#### Example:

A jumper connector for 795 Arbutus conductor, the complete catalog number is:

**JC11**

#### Notes:

1. Installation Instructions for Jumpers are on page 271.
2. For more information on die selection and ordering instructions, see Tools and Equipment tab in this catalog.

CATALOG NUMBER	CONDUCTOR				DIE SIZE	TOTAL WEIGHT		DIMENSION L	
	CODE WORD	SIZE	STRANDING	DIAMETER		LBS	KG	IN	MM
		KCMIL		IN					
JC07	Peony	300.6	19	0.629	07CD	0.3	0.12	5.6	142
JC07	Tulip	336.4	19	0.666	07CD	0.3	0.12	5.6	142
JC07	Daffodil	350.0	19	0.679	07CD	0.3	0.12	5.6	142
JC08	Canna	397.5	19	0.724	08CD	0.4	0.19	6.4	163
JC09	Goldentuft	450.0	19	0.770	09CD	0.6	0.27	7.2	183
JC09	Cosmos	477.0	19	0.793	09CD	0.6	0.27	7.2	183
JC09	Zinnia	500.0	19	0.811	09CD	0.6	0.27	7.2	183
JC10	Dahlia	556.5	19	0.856	10CD	0.8	0.37	8.0	203
JC10	Meadowsweet	600.0	37	0.891	10CD	0.8	0.37	8.0	203
JC10	Orchid	636.0	37	0.918	10CD	0.8	0.37	8.0	203
JC10	Heuchera	650.0	37	0.928	10CD	0.8	0.37	8.0	203
JC11	Verbena	700.0	37	0.963	11CD	1.1	0.50	8.8	224
JC11	Violet	715.5	37	0.974	11CD	1.1	0.50	8.8	224
JC11	Petunia	750.0	37	0.997	11CD	1.1	0.50	8.8	224
JC11	Arbutus	795.0	37	1.026	11CD	1.1	0.50	8.8	224
JC11	—	800.0	61	1.031	11CD	1.1	0.50	8.8	224

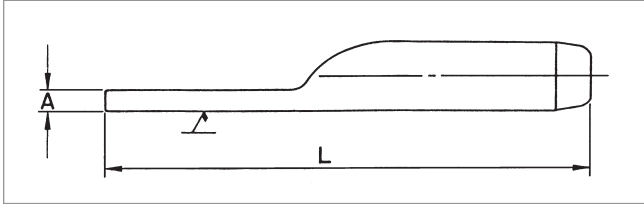
## Quick Compress Jumper Connector for AAC Conductor, JC Series (cont.)

**AAC  
ACCESSORIES**

CATALOG NUMBER	CONDUCTOR				DIE SIZE	TOTAL WEIGHT		DIMENSION L	
	CODE WORD	SIZE	STRANDING	DIAMETER		LBS	KG	IN	MM
		KCMIL		IN					
JC12	Cockscomb	900.0	37	1.092	12CD	1.4	0.64	9.6	244
JC12	Magnolia	954.0	37	1.124	12CD	1.4	0.64	9.6	244
JC13	Hawkweed	1000.0	37	1.151	13CD	1.7	0.77	10.4	264
JC13	Bluebell	1033.5	37	1.170	13CD	1.7	0.77	10.4	264
JC13	Marigold	1113.0	61	1.216	13CD	1.7	0.77	10.4	264
JC14	Hawthorn	1192.5	61	1.258	14CD	2.2	1.00	11.2	284
JC14	—	1250.0	91	1.289	14CD	2.2	1.00	11.2	284
JC14	Narcissus	1272.0	61	1.300	14CD	2.2	1.00	11.2	284
JC14	—	1300.0	91	1.315	14CD	2.2	1.00	11.2	284
JC15	Columbine	1351.5	61	1.340	15CD	2.7	1.22	12.0	305
JC15	Carnation	1431.0	61	1.379	15CD	2.7	1.22	12.0	305
JC15	—	1500.0	91	1.412	15CD	2.7	1.22	12.0	305
JC15	Gladiolus	1510.5	61	1.417	15CD	2.7	1.22	12.0	305
JC16	Coreopsis	1590.0	61	1.454	16CD	3.3	1.50	12.8	325
JC17	Jessamine	1750.0	61	1.525	17CD	3.9	1.77	13.6	345
JC18	Cowslip	2000.0	91	1.630	18CD	4.7	2.13	14.4	366
JC19	Sagebrush	2250.0	91	1.729	19CD	5.4	2.45	15.2	386
JC19	—	2300.0	91	1.750	19CD	5.4	2.45	15.2	386
JC20	Lupine	2500.0	91	1.823	20CD	6.4	2.90	16.0	406



## Quick Compress Terminal for AAC Conductor, Straight, TS Series



The TS Series Straight Terminal Connector is designed for fast and easy installation. By using a high strength alloy, the compression length has been shortened for less compression bites. The terminal connector is pre-filled, eliminating an installation step.

All TS Series connectors are designed for limited tension use, maintaining a minimum of 40% of the ASTM rated strength of the conductor.

The end tapers of all compression accessories are supplied with a High Voltage finish for die size sections 12CD and above.

The square edges of bolted pads of the compression accessories could cause Corona. Pads with edges and corners rounded can be supplied by adding the catalog suffix 'EHV'.

### Ordering Instructions

#### Step 1: Catalog Number

Determine the catalog number based on the conductor being used.

#### Step 2: Extra High Voltage Finish

For Extra High Voltage Finish, use 'EHV'. ( $\geq 345$  kV)

For Standard Finish, leave blank. ( $< 345$  kV)

#### Step 3: Assemble Catalog Number.



#### Example:

A straight terminal for 795 Arbutus with an B pad and EHV finish, the complete catalog number is:

**TS11EHV**

#### Notes:

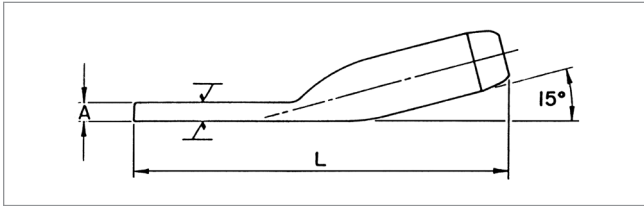
1. Pad Dimensions are on page 257.
2. Installation Instructions for Terminals are on page 272.
3. Bolts, nuts and washers are not supplied with TS Series Terminal Connectors.
4. For more information on die selection and ordering instructions, see Tools and Equipment tab in this catalog.

## Quick Compress Terminal for AAC Conductor, Straight, TS Series (cont.)

**AAC ACCESSORIES**

CATALOG NUMBER	CONDUCTOR				DIE SIZE	TOTAL WEIGHT		DIMENSION				PAD SIZE
	CODE WORD	SIZE	STRANDING	DIAMETER		LBS	KG	A		L		
		KCMIL	AL	IN				IN	MM	IN	MM	
TS07	Peony	300.0	19	0.629	07CD	0.5	0.20	0.3	8	9.0	229	B
TS07	Tulip	336.4	19	0.666	07CD	0.5	0.20	0.3	8	9.0	229	B
TS07	Daffodil	350.0	19	0.679	07CD	0.5	0.20	0.3	8	9.0	229	B
TS08	Canna	397.5	19	0.724	08CD	0.6	0.28	0.4	10	9.6	244	B
TS09	Goldentuft	450.0	19	0.770	09CD	0.8	0.38	0.4	11	10.0	254	B
TS09	Cosmos	477.0	19	0.793	09CD	0.8	0.38	0.4	11	10.0	254	B
TS09	Zinnia	500.0	19	0.811	09CD	0.8	0.38	0.4	11	10.0	254	B
TS10	Dahlia	556.5	19	0.856	10CD	1.1	0.50	0.5	12	10.6	269	B
TS10	Meadowsweet	600.0	37	0.891	10CD	1.1	0.50	0.5	12	10.6	269	B
TS10	Orchid	636.0	37	0.918	10CD	1.1	0.50	0.5	12	10.6	269	B
TS10	Heuchera	650.0	37	0.928	10CD	1.1	0.50	0.5	12	10.6	269	B
TS11	Verbena	700.0	37	0.963	11CD	1.5	0.68	0.4	9	11.7	297	D
TS11	Violet	715.5	37	0.974	11CD	1.5	0.68	0.4	9	11.7	297	D
TS11	Petunia	750.0	37	0.997	11CD	1.5	0.68	0.4	9	11.7	297	D
TS11	Arbutus	795.0	37	1.026	11CD	1.5	0.68	0.4	9	11.7	297	D
TS11	—	800.0	61	1.031	11CD	1.5	0.68	0.4	9	11.7	297	D
TS12	Cockscomb	900.0	37	1.092	12CD	1.8	0.82	0.4	11	12.1	307	D
TS12	Magnolia	954.0	37	1.124	12CD	1.8	0.82	0.4	11	12.1	307	D
TS13	Hawkweed	1000.0	37	1.151	13CD	2.1	0.95	0.5	13	12.8	325	D
TS13	Bluebell	1033.5	37	1.170	13CD	2.1	0.95	0.5	13	12.8	325	D
TS13	Marigold	1113.0	61	1.216	13CD	2.1	0.95	0.5	13	12.8	325	D
TS14	Hawthorn	1192.5	61	1.258	14CD	2.7	1.22	0.6	16	13.8	351	D
TS14	—	1250.0	91	1.289	14CD	2.7	1.22	0.6	16	13.8	351	D
TS14	Narcissus	1272.0	61	1.300	14CD	2.7	1.22	0.6	16	13.8	351	D
TS14	—	1300.0	91	1.315	14CD	2.7	1.22	0.6	16	13.8	351	D
TS15	Columbine	1351.5	61	1.340	15CD	3.3	1.50	0.7	17	14.3	363	D
TS15	Carnation	1431.0	61	1.379	15CD	3.3	1.50	0.7	17	14.3	363	D
TS15	—	1500.0	91	1.412	15CD	3.3	1.50	0.7	17	14.3	363	D
TS15	Gladiolus	1510.5	61	1.417	15CD	3.3	1.50	0.7	17	14.3	363	D
TS16	Coreopsis	1590.0	61	1.454	16CD	3.8	1.72	0.7	17	14.6	371	D
TS17	Jessamine	1750.0	61	1.525	17CD	0.5	2.13	0.7	17	16.3	414	E
TS18	Cowslip	2000.0	91	1.630	18CD	5.5	2.49	0.7	19	16.8	427	E
TS19	Sagebrush	2250.0	91	1.729	19CD	6.5	2.95	0.9	22	17.5	445	E
TS19	—	2300.0	91	1.750	19CD	6.5	2.95	0.9	22	17.5	445	E
TS20	Lupine	2500.0	91	1.823	20CD	7.3	3.31	0.9	22	12.9	455	E.

## Quick Compress Terminal for AAC Conductor, 15°, TF Series



The TF Series 15° Terminal Connector is designed for fast and easy installation. By using a high strength alloy, the compression length has been shortened for less compression bites. The terminal connector is pre-filled, eliminating an installation step.

When used with the Quick Compress dead end, the TF Series connectors can be bolted in either straight or 30° position. All TF Series connectors are designed for limited tension use, maintaining a minimum of 40% of the ASTM rated strength of the conductor.

The end tapers of all compression accessories are supplied with a High Voltage finish for die size sections 12CD and above.

The square edges of bolted pads of the compression accessories could cause Corona. Pads with edges and corners rounded can be supplied by adding the catalog suffix 'EHV'.

### Ordering Instructions

#### Step 1: Catalog Number

Determine the catalog number based on the conductor being used.

#### Step 2: Extra High Voltage Finish

For Extra High Voltage Finish, use 'EHV'. ( $\geq 345$  kV)

For Standard Finish, leave blank. ( $< 345$  kV)

#### Step 3: Assemble Catalog Number.



#### Example:

A 15° terminal for 795 Arbutus with an B pad and EHV finish, the complete catalog number is:

**TF11EHV**

#### Notes:

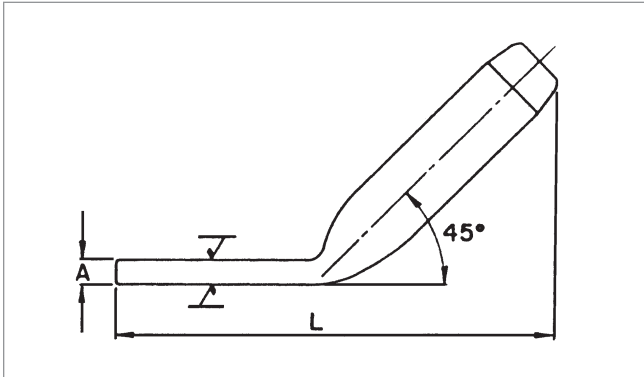
1. Pad Dimensions are on page 257.
2. Installation Instructions for Terminals are on page 272.
3. Bolts, nuts and washers are supplied with TF Series Terminal Connectors.
4. For more information on die selection and ordering instructions, see Tools and Equipment tab in this catalog.

## Quick Compress Terminal for AAC Conductor, 15°, TF Series (cont.)

**AAC  
ACCESSORIES**

CATALOG NUMBER	CONDUCTOR				DIE SIZE	TOTAL WEIGHT		DIMENSIONS				PAD SIZE
	CODE WORD	SIZE	STRANDING	DIAMETER		LBS	KG	A		L		
		KCMIL	AL/ST	IN				IN	MM	IN	MM	
TF07	Peony	300.6	19	0.629	07CD	0.5	0.24	0.3	8	7.8	196	B
TF07	Tulip	336.4	19	0.666	07CD	0.5	0.24	0.3	8	7.8	196	B
TF07	Daffodil	350.0	19	0.679	07CD	0.5	0.24	0.3	8	7.8	196	B
TF08	Canna	397.5	19	0.724	08CD	0.7	0.31	0.4	10	8.3	211	B
TF09	Goldentuft	450.0	19	0.770	09CD	0.9	0.40	0.4	11	8.9	226	B
TF09	Cosmos	477.0	19	0.793	09CD	0.9	0.40	0.4	11	8.9	226	B
TF09	Zinnia	500.0	19	0.811	09CD	0.9	0.40	0.4	11	8.9	226	B
TF10	Dahlia	556.5	19	0.856	10CD	1.1	0.50	0.5	12	9.4	239	B
TF10	Meadowsweet	600.0	37	0.891	10CD	1.1	0.50	0.5	12	9.4	239	B
TF10	Orchid	636.0	37	0.918	10CD	1.1	0.50	0.5	12	9.4	239	B
TF10	Heuchera	650.0	37	0.928	10CD	1.1	0.50	0.5	12	9.4	239	B
TF11	Verbena	700.0	37	0.963	11CD	1.5	0.68	0.4	9	10.4	264	D
TF11	Violet	715.5	37	0.974	11CD	1.5	0.68	0.4	9	10.4	264	D
TF11	Petunia	750.0	37	0.997	11CD	1.5	0.68	0.4	9	10.4	264	D
TF11	Arbutus	795.0	37	1.026	11CD	1.5	0.68	0.4	9	10.4	264	D
TF11	—	800.0	61	1.031	11CD	1.5	0.68	0.4	9	10.4	264	D
TF12	Cockscomb	900.0	37	1.092	12CD	1.9	0.86	0.4	11	11.0	279	D
TF12	Magnolia	954.0	37	1.124	12CD	1.9	0.86	0.4	11	11.0	279	D
TF13	Hawkweed	1000.0	37	1.151	13CD	2.2	1.00	0.5	13	11.2	284	D
TF13	Bluebell	1033.5	37	1.170	13CD	2.2	1.00	0.5	13	11.2	284	D
TF13	Marigold	1113.0	61	1.216	13CD	2.2	1.00	0.5	13	11.2	284	D
TF14	Hawthorn	1192.5	61	1.258	14CD	2.8	1.27	0.6	16	12.0	305	D
TF14	—	1250.0	91	1.289	14CD	2.8	1.27	0.6	16	12.0	305	D
TF14	Narcissus	1272.0	61	1.300	14CD	2.8	1.27	0.6	16	12.0	305	D
TF14	—	1300.0	91	1.315	14CD	2.8	1.27	0.6	16	12.0	305	D
TF15	Columbine	1351.5	61	1.340	15CD	3.2	1.45	0.7	17	12.5	318	D
TF15	Carnation	1431.0	61	1.379	15CD	3.2	1.45	0.7	17	12.5	318	D
TF15	—	1500.0	91	1.412	15CD	3.2	1.45	0.7	17	12.5	318	D
TF15	Gladiolus	1510.5	61	1.417	15CD	3.2	1.45	0.7	17	12.5	318	D
TF16	Coreopsis	1590.0	61	1.454	16CD	3.7	1.69	0.9	17	13.3	338	D
TF17	Jessamine	1750.0	61	1.525	17CD	4.6	2.09	0.7	17	14.4	366	E
TF18	Cowslip	2000.0	91	1.630	18CD	5.2	2.36	0.7	19	15.0	381	E
TF19	Sagebrush	2250.0	91	1.729	19CD	6.3	2.86	0.9	22	15.7	399	E
TF19	—	2300.0	91	1.750	19CD	6.3	2.86	0.9	22	15.7	399	E
TF20	Lupine	2500.0	91	1.823	20CD	6.8	3.08	0.9	22	16.0	406	E

## Quick Compress Terminal for AAC Conductor, 45°, T45 Series



The T45 Series 45° Terminal Connector is designed for fast and easy installation. By using a high strength alloy, the compression length has been shortened for less compression bites. The terminal connector is pre-filled, eliminating an installation step.

All T45 Series connectors are designed for limited tension use, maintaining a minimum of 40% of the ASTM rated strength of the conductor.

The end tapers of all compression accessories are supplied with a High Voltage finish for die size sections 12CD and above.

The square edges of bolted pads of the compression accessories could cause Corona. Pads with edges and corners rounded can be supplied by adding the catalog suffix 'EHV'.

### Ordering Instructions

#### Step 1: Catalog Number

Determine the catalog number based on the conductor being used.

#### Step 2: Extra High Voltage Finish

For Extra High Voltage Finish, use 'EHV'. ( $\geq 345$  kV)

For Standard Finish, leave blank. ( $< 345$  kV)

#### Step 3: Assemble Catalog Number.



#### Example:

A 45° terminal for 795 Arbutus with an B pad and EHV finish, the complete catalog number is:

**T4511EHV**

#### Notes:

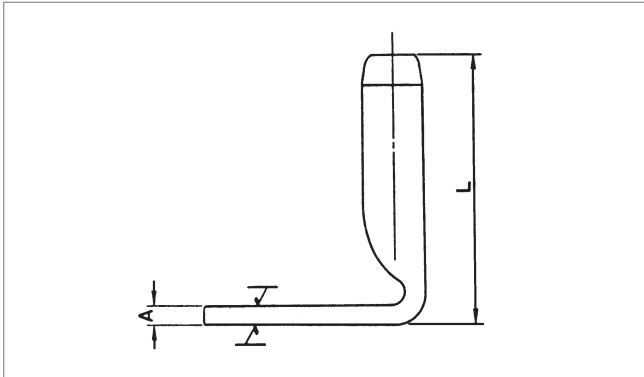
1. Pad Dimensions are on page 257.
2. Installation Instructions for Terminals are on page 272.
3. Bolts, nuts and washers are not supplied with T45 Series Terminal Connectors.
4. For more information on die selection and ordering instructions, see Tools and Equipment tab in this catalog.

## Quick Compress Terminal for AAC Conductor, 45°, T45 Series (cont.)

**AAC  
ACCESSORIES**

CATALOG NUMBER	CONDUCTOR				DIE SIZE	TOTAL WEIGHT		DIMENSIONS				PAD SIZE
	CODE WORD	SIZE	STRANDING	DIAMETER		LBS	KG	A		L		
		KCMIL	AL/ST	IN				IN	MM	IN	MM	
T4507	Peony	300.6	19	0.629	07CD	0.4	0.19	0.3	8	7.3	185	B
T4507	Tulip	336.4	19	0.666	07CD	0.4	0.19	0.3	8	7.3	185	B
T4507	Daffodil	350.0	19	0.679	07CD	0.4	0.19	0.3	8	7.3	185	B
T4508	Canna	397.5	19	0.724	08CD	0.6	0.25	0.4	10	7.8	198	B
T4509	Goldentuft	450.0	19	0.770	09CD	0.8	0.34	0.4	11	8.2	208	B
T4509	Cosmos	477.0	19	0.793	09CD	0.8	0.34	0.4	11	8.2	208	B
T4509	Zinnia	500.0	19	0.811	09CD	0.8	0.34	0.4	11	8.2	208	B
T4510	Dahlia	556.5	19	0.856	10CD	1.0	0.45	0.5	12	8.6	218	B
T4510	Meadowsweet	600.0	37	0.891	10CD	1.0	0.45	0.5	12	8.6	218	B
T4510	Orchid	636.0	37	0.918	10CD	1.0	0.45	0.5	12	8.6	218	B
T4510	Heuchera	650.0	37	0.928	10CD	1.0	0.45	0.5	12	8.6	218	B
T4511	Verbena	700.0	37	0.963	11CD	1.3	0.59	0.4	9	9.4	239	D
T4511	Violet	715.5	37	0.974	11CD	1.3	0.59	0.4	9	9.4	239	D
T4511	Petunia	750.0	37	0.997	11CD	1.3	0.59	0.4	9	9.4	239	D
T4511	Arbutus	795.0	37	1.026	11CD	1.3	0.59	0.4	9	9.4	239	D
T4511	—	800.0	61	1.031	11CD	1.3	0.59	0.4	9	9.4	239	D
T4512	Cockscomb	900.0	37	1.092	12CD	1.6	0.73	0.4	11	9.7	246	D
T4512	Magnolia	954.0	37	1.124	12CD	1.6	0.73	0.4	11	9.7	246	D
T4513	Hawkweed	1000.0	37	1.151	13CD	2.0	0.91	0.5	13	10.2	259	D
T4513	Bluebell	1033.5	37	1.170	13CD	2.0	0.91	0.5	13	10.2	259	D
T4513	Marigold	1113.0	61	1.216	13CD	2.0	0.91	0.5	13	10.2	259	D
T4514	Hawthorn	1192.5	61	1.258	14CD	2.3	1.04	0.6	16	10.6	269	D
T4514	—	1250.0	91	1.289	14CD	2.3	1.04	0.6	16	10.6	269	D
T4514	Narcissus	1272.0	61	1.300	14CD	2.3	1.04	0.6	16	10.6	269	D
T4514	—	1300.0	91	1.315	14CD	2.3	1.04	0.6	16	10.6	269	D
T4515	Columbine	1351.5	61	1.340	15CD	2.8	1.27	0.7	17	11.8	300	D
T4515	Carnation	1431.0	61	1.379	15CD	2.8	1.27	0.7	17	11.8	300	D
T4515	—	1500.0	91	1.412	15CD	2.8	1.27	0.7	17	11.8	300	D
T4515	Gladiolus	1510.5	61	1.417	15CD	2.8	1.27	0.7	17	11.8	300	D
T4516	Coreopsis	1590.0	61	1.454	16CD	3.4	1.54	0.7	17	11.0	279	D
T4517	Jessamine	1750.0	61	1.525	17CD	4.2	1.91	0.7	17	12.6	320	E
T4518	Cowslip	2000.0	91	1.630	18CD	4.9	2.22	0.7	19	13.0	330	E
T4519	Sagebrush	2250.0	91	1.729	19CD	5.7	2.59	0.9	22	13.7	348	E
T4519	—	2300.0	91	1.750	19CD	5.7	2.59	0.9	22	13.7	348	E
T4520	Lupine	2500.0	91	1.823	20CD	6.5	2.95	0.9	22	14.2	361	E

## Quick Compress Terminal for AAC Conductor, 90°, TN Series



The TN Series 90° Terminal Connector is designed for fast and easy installation. By using a high strength alloy, the compression length has been shortened for less compression bites. The terminal connector is pre-filled, eliminating an installation step.

All TN Series connectors are designed for limited tension use, maintaining a minimum of 40% of the ASTM rated strength of the conductor.

The end tapers of all compression accessories are supplied with a High Voltage finish for die size sections 12CD and above.

The square edges of bolted pads of the compression accessories could cause Corona. Pads with edges and corners rounded can be supplied by adding the catalog suffix 'EHV'.

### Ordering Instructions

#### Step 1: Catalog Number

Determine the catalog number based on the conductor being used.

#### Step 2: Extra High Voltage Finish

For Extra High Voltage Finish, use 'EHV'. ( $\geq 345$  kV)

For Standard Finish, leave blank. ( $< 345$  kV)

#### Step 3: Assemble Catalog Number.



#### Example:

A 90° terminal for 795 Arbutus with an B pad and EHV finish, the complete catalog number is:

**TN11EHV**

#### Notes:

1. Pad Dimensions are on page 257.
2. Installation Instructions for Terminals are on page 272.
3. Bolts, nuts and washers are not supplied with TN Series Terminal Connectors.
4. For more information on die selection and ordering instructions, see Tools and Equipment tab in this catalog.

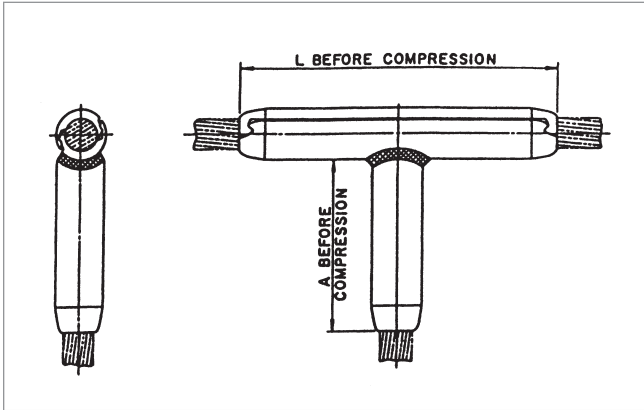
## Quick Compress Terminal for AAC Conductor, 90°, TN Series (cont.)

**AAC  
ACCESSORIES**

CATALOG NUMBER	CONDUCTOR				DIE SIZE	TOTAL WEIGHT		DIMENSIONS				PAD SIZE
	CODE WORD	SIZE	STRANDING	DIAMETER		LBS	KG	A		L		
		KCMIL	AL	IN				IN	MM	IN	MM	
TN07	Peony	300.6	19	0.629	07CD	0.5	0.20	0.3	8	5.2	132	B
TN07	Tulip	336.4	19	0.666	07CD	0.5	0.20	0.3	8	5.2	132	B
TN07	Daffodil	350.0	19	0.679	07CD	0.5	0.20	0.3	8	5.2	132	B
TN08	Canna	397.5	19	0.724	08CD	0.6	0.29	0.4	10	5.7	145	B
TN09	Goldentuft	450.0	19	0.770	09CD	0.8	0.38	0.4	11	6.2	157	B
TN09	Cosmos	477.0	19	0.793	09CD	0.8	0.38	0.4	11	6.2	157	B
TN09	Zinnia	500.0	19	0.811	09CD	0.8	0.38	0.4	11	6.2	157	B
TN10	Dahlia	556.5	19	0.856	10CD	1.1	0.50	0.5	12	6.7	170	B
TN10	Meadowsweet	600.0	37	0.891	10CD	1.1	0.50	0.5	12	6.7	170	B
TN10	Orchid	636.0	37	0.918	10CD	1.1	0.50	0.5	12	6.7	170	B
TN10	Heuchera	650.0	37	0.928	10CD	1.1	0.50	0.5	12	6.7	170	B
TN11	Verbena	700.0	37	0.963	11CD	1.4	0.64	0.4	9	7.5	191	D
TN11	Violet	715.5	37	0.974	11CD	1.4	0.64	0.4	9	7.5	191	D
TN11	Petunia	750.0	37	0.997	11CD	1.4	0.64	0.4	9	7.5	191	D
TN11	Arbutus	795.0	37	1.026	11CD	1.4	0.64	0.4	9	7.5	191	D
TN11	—	800.0	61	1.031	11CD	1.4	0.64	0.4	9	7.5	191	D
TN12	Cockscomb	900.0	37	1.092	12CD	1.8	0.82	0.4	11	7.9	202	D
TN12	Magnolia	954.0	37	1.124	12CD	1.8	0.82	0.4	11	7.9	202	D
TN13	Hawkweed	1000.0	37	1.151	13CD	2.2	1.00	0.5	13	8.5	216	D
TN13	Bluebell	1033.5	37	1.170	13CD	2.2	1.00	0.5	13	8.5	216	D
TN13	Marigold	1113.0	61	1.216	13CD	2.2	1.00	0.5	13	8.5	216	D
TN14	Hawthorn	1192.5	61	1.258	14CD	2.6	1.18	0.6	16	9.2	233	D
TN14	—	1250.0	91	1.289	14CD	2.6	1.18	0.6	16	9.2	233	D
TN14	Narcissus	1272.0	61	1.300	14CD	2.6	1.18	0.6	16	9.2	233	D
TN14	—	1300.0	91	1.315	14CD	2.6	1.18	0.6	16	9.2	233	D
TN15	Columbine	1351.5	61	1.340	15CD	3.1	1.41	0.7	17	9.8	248	D
TN15	Carnation	1431.0	61	1.379	15CD	3.1	1.41	0.7	17	9.8	248	D
TN15	—	1500.0	91	1.412	15CD	3.1	1.41	0.7	17	9.8	248	D
TN15	Gladiolus	1510.5	61	1.417	15CD	3.1	1.41	0.7	17	9.8	248	D
TN16	Coreopsis	1590.0	61	1.454	16CD	3.7	1.68	0.7	17	10.2	259	D
TN17	Jessamine	1750.0	61	1.525	17CD	4.6	2.09	0.7	17	11.2	264	E
TN18	Cowslip	2000.0	91	1.630	18CD	5.3	2.40	0.7	19	11.4	289	E
TN19	Sagebrush	2250.0	91	1.729	19CD	6.1	2.77	0.9	22	11.9	303	E
TN19	—	2300.0	91	1.750	19CD	6.1	2.77	0.9	22	11.9	303	E
TN20	Lupine	2500.0	91	1.823	20CD	6.9	3.13	0.9	22	12.6	321	E



## Quick Compress Tee Connector for AAC Conductor, Open Run, TTOC Series



### Ordering Instructions

#### Step 1: Assembly Catalog Number

Determine the assembly catalog number based on the conductor being used.

#### Example:

A tee connector for 795 Arbutus, the complete catalog number is:

**TTOC11**

The TTOC Series Open Run Tee Connector is a permanent drop specifically designed for ACSR, AAC, AAAC and ACAR conductors.

The end tapers of all compression accessories are supplied with a high voltage finish for die size sections 12CD and above.

#### Notes:

1. Tee Connectors are not prefilled with AFC.
2. Installation Instructions for Tee Connectors are on page 274.
3. For more information on die selection and ordering instructions, see Tools and Equipment tab in this catalog.

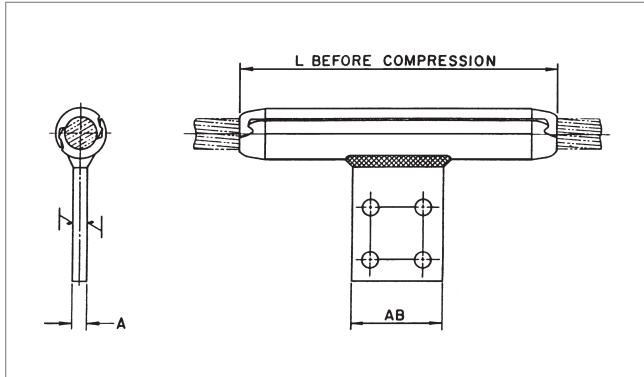
CATALOG NUMBER	CODE WORD	CONDUCTOR			DIE SIZE	TOTAL WEIGHT		DIMENSIONS			
		SIZE	STRANDING	DIAMETER		LBS	KG	A		L	
		KCMIL	AL	IN				IN	MM	IN	MM
TTOC07	Peony	300.0	19	0.629	07CD	0.5	0.22	3.9	100	6.4	163
TTOC07	Tulip	336.4	19	0.666	07CD	0.5	0.22	3.9	100	6.4	163
TTOC07	Daffodil	350.0	19	0.679	07CD	0.5	0.22	3.9	100	6.4	163
TTOC08	Canna	397.5	19	0.724	08CD	0.7	0.32	4.4	111	7.2	183
TTOC08	Goldentuft	450.0	19	0.770	08CD	0.7	0.32	4.4	111	7.2	183
TTOC09	Cosmos	477.0	19	0.793	09CD	1.0	0.45	4.8	122	7.9	199
TTOC09	Zinnia	500.0	19	0.811	09CD	1.0	0.45	4.8	122	7.9	199
TTOC10	Dahlia	556.5	19	0.856	10CD	1.3	0.59	5.3	133	8.5	216
TTOC10	Meadowsweet	600.0	37	0.891	10CD	1.3	0.59	5.3	133	8.5	216
TTOC10	Orchid	636.0	37	0.918	10CD	1.3	0.59	5.3	133	8.5	216
TTOC10	Heuchera	650.0	37	0.928	10CD	1.3	0.59	5.3	133	8.5	216
TTOC11	Verbena	700.0	37	0.963	11CD	1.7	0.77	5.7	145	9.2	234
TTOC11	Violet	715.5	37	0.974	11CD	1.7	0.77	5.7	145	9.2	234
TTOC11	Petunia	750.0	37	0.997	11CD	1.7	0.77	5.7	145	9.2	234
TTOC11	Arbutus	795.0	37	1.026	11CD	1.7	0.77	5.7	145	9.2	234
TTOC11	—	800.0	61	1.031	11CD	1.7	0.77	5.7	145	9.2	234
TTOP12	Cockscomb	900.0	37	1.092	12CD	2.1	0.95	6.1	155	9.9	250

## Quick Compress Tee Connector for AAC Conductor, Open Run, TTOC Series (cont.)

AAC ACCESSORIES

CATALOG NUMBER	CONDUCTOR				DIE SIZE	TOTAL WEIGHT		DIMENSIONS			
	CODE WORD	SIZE	STRANDING	DIAMETER		LBS	KG	A		L	
		KCMIL	AL	IN				IN	MM	IN	MM
TTOC12	Magnolia	954.0	37	1.124	12CD	2.1	0.95	6.1	155	9.9	250
TTOC13	Hawkweed	1000.0	37	1.151	13CD	2.9	1.32	6.6	167	10.6	269
TTOC13	Bluebell	1033.5	37	1.170	13CD	2.9	1.32	6.6	167	10.6	269
TTOC13	Marigold	1113.0	61	1.216	13CD	2.9	1.32	6.6	167	10.6	269
TTOC14	Hawthorn	1192.5	61	1.258	14CD	3.5	1.59	7.0	178	11.2	285
TTOC14	—	1250.0	91	1.289	14CD	3.5	1.59	7.0	178	11.2	285
TTOC14	Narcissus	1272.0	61	1.300	14CD	3.5	1.59	7.0	178	11.2	285
TTOC14	—	1300.0	91	1.315	14CD	3.5	1.59	7.0	178	11.2	285
TTOC15	Columbine	1351.5	61	1.340	15CD	4.2	1.91	7.4	189	11.9	302
TTOC15	Carnation	1431.0	61	1.379	15CD	4.2	1.91	7.4	189	11.9	302
TTOC15	—	1500.0	91	1.412	15CD	4.2	1.91	7.4	189	11.9	302
TTOC15	Gladiolus	1510.5	61	1.417	15CD	4.2	1.91	7.4	189	11.9	302
TTOC16	Coreopsis	1590.0	61	1.454	16CD	5.0	2.27	7.8	198	12.5	316
TTOC17	Jessamine	1750.0	61	1.525	17CD	5.9	2.68	8.3	210	13.1	333
TTOC18	Cowslip	2000.0	91	1.630	18CD	7.0	3.16	8.6	219	13.7	348
TTOC19	Sagebrush	2250.0	91	1.729	19CD	8.0	3.63	9.1	230	14.4	364
TTOC19	—	2300.0	91	1.750	19CD	8.0	3.63	9.1	230	14.4	364
TTOC20	Lupine	2500.0	91	1.823	20CD	9.2	4.17	9.4	240	14.9	378

## Quick Compress Tee Tap for AAC Conductor, Open Run, TTOP Series



The TTOP Series Open Run Tee Tap is a permanent or temporary drop. By using a high strength alloy, the compression length has been shortened for less compression bites.

The run portion incorporates an improved design of interlocking extrusions, providing a permanent grip on the conductor when compressed.

The end tapers of all compression accessories are supplied with a High Voltage finish for die size sections 12CD and above.

The square edges of bolted pads of the compression accessories could cause Corona. Pads with edges and corners rounded can be supplied by adding the catalog suffix 'EHV'.

### Ordering Instructions

#### Step 1: Assembly Catalog Number

Determine the assembly catalog number based on the conductor being used.

#### Step 2: Extra High Voltage Finish

For Extra High Voltage Finish, use 'EHV'. ( $\geq 345$  kV)

For Standard Finish, leave blank. ( $< 345$  kV)

#### Step 3: Assemble Catalog Number.

Assey Catalog Number	+	EHV Finish
-------------------------	---	---------------

#### Example:

A tee tap for 795 Arbutus with EHV finish, the complete catalog number is:

**TTOP11EHV**

#### Notes:

1. Pad Dimensions are on page 257.
2. Installation Instructions for Tee Taps are on page 274.
3. For more information on die selection and ordering instructions, see Tools and Equipment tab in this catalog.

## Quick Compress Tee Tap for AAC Conductor, Open Run, TTOP Series (cont.)

**AAC ACCESSORIES**

CATALOG NUMBER	CONDUCTOR				DIE SIZE	WEIGHT		DIMENSIONS						PAD SIZE
	CODE WORD	SIZE	STRANDING	DIAMETER		ALUMINUM		A		L		AB		
		KCMIL	AL/ST	IN		LBS	KG	IN	MM	IN	MM	IN	MM	
TTOP07	Peony	300.6	19	0.629	07CD	0.6	0.27	0.4	10	7.4	187	2.0	51	B
TTOP07	Tulip	336.4	19	0.666	07CD	0.6	0.27	0.4	10	7.4	187	2.0	51	B
TTOP07	Daffodil	350.0	19	0.679	07CD	0.6	0.27	0.4	10	7.4	187	2.0	51	B
TTOP08	Canna	397.5	19	0.724	08CD	0.7	0.34	0.4	10	8.0	202	2.0	51	B
TTOP09	Goldentuft	450.0	19	0.770	09CD	0.9	0.41	0.4	10	8.5	215	2.0	51	B
TTOP09	Cosmos	477.0	19	0.793	09CD	0.9	0.41	0.4	10	8.5	215	2.0	51	B
TTOP09	Zinnia	500.0	19	0.811	09CD	0.9	0.41	0.4	10	8.5	215	2.0	51	B
TTOP10	Dahlia	556.5	19	0.856	10CD	1.0	0.45	0.4	10	9.0	229	2.0	51	B
TTOP10	Meadowsweet	600.0	37	0.891	10CD	1.0	0.45	0.4	10	9.0	229	2.0	51	B
TTOP10	Orchid	636.0	37	0.918	10CD	1.0	0.45	0.4	10	9.0	229	2.0	51	B
TTOP10	Heuchera	650.0	37	0.928	10CD	1.0	0.45	0.4	10	9.0	229	2.0	51	B
TTOP11	Verbena	700.0	37	0.963	11CD	1.7	0.77	0.5	13	10.5	267	3.0	76	D
TTOP11	Violet	715.5	37	0.974	11CD	1.7	0.77	0.5	13	10.5	267	3.0	76	D
TTOP11	Petunia	750.0	37	0.997	11CD	1.7	0.77	0.5	13	10.5	267	3.0	76	D
TTOP11	Arbutus	795.0	37	1.026	11CD	1.7	0.77	0.5	13	10.5	267	3.0	76	D
TTOP11	—	800.0	61	1.031	11CD	1.7	0.77	0.5	13	10.5	267	3.0	76	D
TTOP12	Cockscomb	900.0	37	1.092	12CD	2.0	0.91	0.5	13	11.1	281	3.0	76	D
TTOP12	Magnolia	954.0	37	1.124	12CD	2.0	0.91	0.5	13	11.1	281	3.0	76	D
TTOP13	Hawkweed	1000.0	37	1.151	13CD	2.4	1.09	0.5	13	11.6	294	3.0	76	D
TTOP13	Bluebell	1033.5	37	1.170	13CD	2.4	1.09	0.5	13	11.6	294	3.0	76	D
TTOP13	Marigold	1113.0	61	1.216	13CD	2.4	1.09	0.5	13	11.6	294	3.0	76	D
TTOP14	Hawthorn	1192.5	61	1.258	14CD	2.8	1.27	0.5	13	12.1	307	3.0	76	D
TTOP14	—	1250.0	91	1.289	14CD	2.8	1.27	0.5	13	12.1	307	3.0	76	D
TTOP14	Narcissus	1272.0	61	1.300	14CD	2.8	1.27	0.5	13	12.1	307	3.0	76	D
TTOP14	—	1300.0	91	1.315	14CD	2.8	1.27	0.5	13	12.1	307	3.0	76	D
TTOP15	Columbine	1351.5	61	1.340	15CD	3.3	1.50	0.5	13	12.6	321	3.0	76	D
TTOP15	Carnation	1431.0	61	1.379	15CD	3.3	1.50	0.5	13	12.6	321	3.0	76	D
TTOP15	—	1500.0	91	1.412	15CD	3.3	1.50	0.5	13	12.6	321	3.0	76	D
TTOP15	Gladiolus	1510.5	61	1.417	15CD	3.3	1.50	0.5	13	12.6	321	3.0	76	D
TTOP16	Coreopsis	1590.0	61	1.454	16CD	3.7	1.68	0.5	13	13.2	334	3.0	76	D
TTOP17	Jessamine	1750.0	61	1.525	17CD	5.2	2.36	0.8	19	14.6	370	4.0	102	E
TTOP18	Cowslip	2000.0	91	1.630	18CD	5.9	2.68	0.8	19	15.0	380	4.0	102	E
TTOP19	Sagebrush	2250.0	91	1.729	19CD	6.5	2.95	0.8	19	15.5	393	4.0	102	E
TTOP19	—	2300.0	91	1.750	19CD	6.5	2.95	0.8	19	15.5	393	4.0	102	E
TTOP20	Lupine	2500.0	91	1.823	20CD	7.2	3.27	0.8	19	15.9	403	4.0	102	E