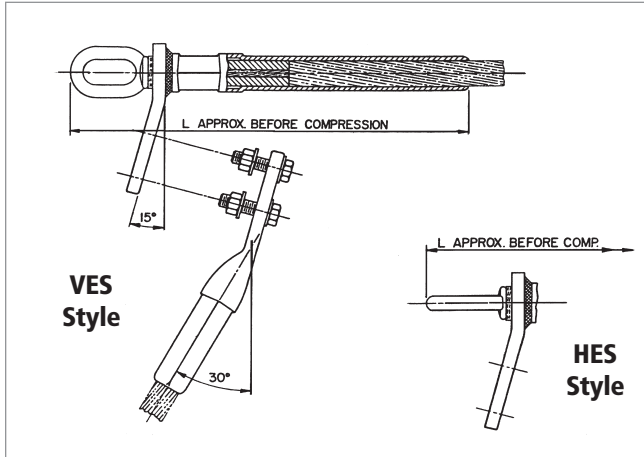


Quick Compress Dead Ends for ACSR Conductor, Eye Type, Single Tongue, VES/HES Series



The Quick Compress Dead Ends are designed for fast and easy installation. By using a high strength alloy, the compression length has been shortened for less compression bites while maintaining a minimum 95% of the ASTM rated strength. The core grip eliminates the need for a steel compression barrel. The steel eye is pre-compressed and the dead end pre-filled, eliminating installation steps.

The dead end tongue and terminal pad are each constructed with a 15° angle, which permits the terminal connector to be bolted in either the straight or the 30° position. Both sides of the pad are finished, creating excellent electrical contact surfaces. For pad to pad connections, AFL recommends the use of No. 2 EJC.

The end tapers of all compression accessories are supplied with a high voltage finish for die sizes 12CD and above. Corona bolts are furnished standard on 15° terminals for these section sizes. The square edges of bolted pads of the compression accessories could cause Corona. Pads with rounded edges and corners can be supplied by adding the catalog suffix 'EHV'.

Ordering Instructions

Step 1: Assembly Catalog Number

Determine the assembly catalog number based on the conductor being used.

Step 2: Terminal Connector

For an assembly without a terminal connector, use 'NT'.
For an assembly with a terminal connector, leave blank.

Step 3: Extra High Voltage Finish

For Extra High Voltage Finish, use 'EHV'. (≥ 345 kV)
For Standard Finish, leave blank. (< 345 kV)

Step 4: Assemble Catalog Number



Example:

For a vertical eye dead end with no terminal and EHV finish for 795 Drake, the complete catalog number is:

VES126NTEHV

Notes:

1. Assembly Catalog Number includes dead end, core grip, terminal connector and aluminum hardware.
2. Eye Dimensions are on page 257.
3. Pad Dimensions are on page 257.
4. Installation Instructions for Dead Ends are on page 265.
5. Installation Instructions for Terminals are on page 272.
6. For more information on die selection and ordering instructions, see Tools and Equipment in this catalog.

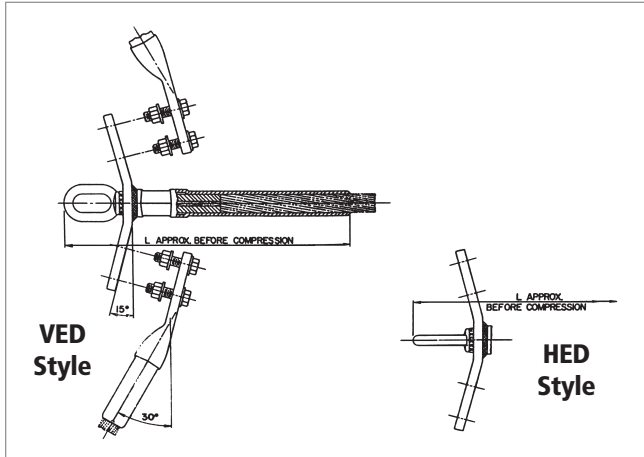
Quick Compress Dead Ends for ACSR Conductor, Eye Type, Single Tongue, VES/HES Series (cont.)

ASSEMBLY CATALOG NUMBER		CONDUCTOR				DIE SIZE	TOTAL WEIGHT		DIMENSION L		PAD SIZE
		CODE WORD	SIZE	STRANDING	DIAMETER		LBS	KG	IN	MM	
			KCMIL	AL/ST	IN						
VES075	HES075	Owl	266.8	6/7	0.633	07CD	1.9	0.86	11.5	292	B
VES072	HES072	Waxwing	266.8	18/1	0.609	07CD	1.9	0.86	11.5	292	B
VES076	HES076	Partridge	266.8	26/7	0.642	07CD	1.9	0.86	11.5	292	B
VES085	HES085	Ostrich	300.0	26/7	0.680	08CD	2.4	1.09	12.3	313	B
VES082	HES082	Merlin	336.4	18/1	0.684	08CD	2.3	1.04	12.3	313	B
VES086	HES086	Linnet	336.4	26/7	0.720	08CD	2.4	1.09	12.3	313	B
VES096	HES096	Oriole	336.4	30/7	0.741	09CD	3.2	1.45	13.8	351	B
VES083	HES083	Chickadee	397.5	18/1	0.743	08CD	2.3	1.04	12.3	313	B
VES095	HES095	Brant	397.5	24/7	0.772	09CD	3.2	1.45	13.8	351	B
VES096	HES096	Ibis	397.5	26/7	0.783	09CD	3.2	1.45	13.8	351	B
VES106	HES106	Lark	397.5	30/7	0.806	10CD	3.7	1.68	14.7	373	B
VES092	HES092	Pelican	477.0	18/1	0.814	09CD	3.2	1.45	13.8	351	B
VES095	HES095	Flicker	477.0	24/7	0.846	09CD	3.2	1.45	13.8	351	B
VES105	HES105	Hawk	477.0	26/7	0.858	10CD	3.7	1.68	14.7	373	B
VES116	HES116	Hen	477.0	30/7	0.883	11CD	5.7	2.59	15.9	403	D
VES102	HES102	Osprey	556.5	18/1	0.879	10CD	3.7	1.68	14.7	373	B
VES105	HES105	Parakeet	556.5	24/7	0.914	10CD	3.7	1.68	14.7	373	B
VES106	HES106	Dove	556.5	26/7	0.927	10CD	3.7	1.68	14.7	373	B
VES117	HES117	Eagle	556.5	30/7	0.953	11CD	5.7	2.59	15.9	403	D
VES115	HES115	Peacock	605.0	24/7	0.953	11CD	5.7	2.59	15.9	403	D
VES116	HES116	Squab	605.0	26/7	0.966	11CD	5.7	2.59	15.9	403	D
VES126	HES126	Teal	605.0	30/19	0.994	12CD	6.5	2.59	16.7	424	D
VES103	HES103	Kingbird	636.0	18/1	0.940	10CD	3.7	1.68	14.7	373	B
VES115	HES115	Root	636.0	24/7	0.977	11CD	5.7	2.59	15.9	403	D
VES116	HES116	Grosbeak	636.0	26/7	0.990	11CD	5.7	2.59	15.9	403	D
VES126	HES126	Egret	636.0	30/19	1.019	12CD	6.5	2.95	16.7	424	D
VES101	HES101	Swift	636.0	36/1	0.930	10CD	3.7	1.68	14.7	373	B
VES115	HES115	Flamingo	666.6	24/7	1.000	11CD	5.7	2.59	15.9	403	D
VES115	HES115	Stilt	715.5	24/7	1.036	11CD	5.7	2.59	15.9	403	D
VES126	HES126	Starling	715.5	26/7	1.051	12CD	6.5	2.95	16.7	424	D
VES136	HES136	Redwing	715.5	30/19	1.081	13CD	8.7	3.95	19.0	483	D
VES125	HES125	Cuckoo	795.0	24/7	1.092	12CD	6.5	2.95	16.7	424	D
VES126	HES126	Drake	795.0	26/7	1.108	12CD	6.5	2.95	16.7	424	D
VES146	HES146	Mallard	795.0	30/19	1.140	14CD	10.0	4.54	19.8	503	D
VES111	HES111	Coot	795.0	36/1	1.040	11CD	5.6	2.54	15.9	403	D

Quick Compress Dead Ends for ACSR Conductor, Eye Type, Single Tongue, VES/HES Series (cont.)

ASSEMBLY CATALOG NUMBER		CONDUCTOR				DIE SIZE	TOTAL WEIGHT		DIMENSION L		PAD SIZE
		CODE WORD	SIZE	STRANDING	DIAMETER		LBS	KG	IN	MM	
VERTICAL EYE	HORIZONTAL EYE		KCMIL	AL/ST	IN						
VES123	HES123	Tern	795.0	45/7	1.063	12CD	6.5	2.95	16.7	424	D
VES125	HES125	Condor	795.0	54/7	1.093	12CD	6.5	2.95	16.7	424	D
VES124	HES124	Ruddy	900.0	45/7	1.131	12CD	6.5	2.95	16.7	424	D
VES135	HES135	Canary	900.0	54/7	1.162	13CD	8.7	3.95	19.0	483	D
VES121	HES121	Catbird	954.0	36/1	1.140	12CD	6.4	2.90	16.7	424	D
VES133	HES133	Rail	954.0	45/7	1.165	13CD	8.6	3.90	19.0	483	D
VES135	HES135	Cardinal	954.0	54/7	1.196	13CD	8.7	3.95	19.0	483	D
VES131	HES131	Tanger	1033.5	36/1	1.186	13CD	8.5	3.86	19.0	483	D
VES134	HES134	Oriolian	1033.5	45/7	1.212	13CD	8.6	3.90	19.0	483	D
VES145	HES145	Curlew	1033.5	54/7	1.244	14CD	9.9	4.49	19.8	503	D
VES143	HES143	Bluejay	1113.0	45/7	1.259	14CD	9.9	4.49	19.8	503	D
VES145	HES145	Finch	1113.0	54/19	1.293	14CD	9.9	4.49	19.8	503	D
VES144	HES144	Bunting	1192.5	45/7	1.302	14CD	9.9	4.49	19.8	503	D
VES155	HES155	Grackle	1192.5	54/19	1.333	15CD	11.0	4.99	20.6	524	D
VES153	HES153	Bittern	1272.0	45/7	1.345	15CD	10.9	4.49	20.6	524	D
VES155	HES155	Pheasant	1272.0	54/19	1.382	15CD	11.0	4.99	20.6	524	D
VES154	HES154	Dipper	1351.5	45/7	1.385	15CD	11.0	4.99	20.6	524	D
VES155	HES155	Martin	1351.5	54/19	1.424	15CD	11.0	4.99	20.6	524	D
VES163	HES163	Bobolink	1431.0	45/7	1.427	16CD	13.8	6.26	22.3	567	D
VES165	HES165	Plover	1431.0	54/19	1.465	16CD	13.9	6.30	22.3	567	D
VES164	HES164	Nuthatch	1510.5	45/7	1.466	16CD	13.8	6.26	22.3	567	D
VES165	HES165	Parrot	1510.5	54/19	1.506	16CD	13.9	6.30	22.3	567	D
VES164	HES164	Lapwing	1590.0	45/7	1.504	16CD	13.8	6.26	22.3	567	D
VES175	HES175	Falcon	1590.0	54/19	1.545	17CD	17.1	7.76	23.1	586	E
VES174	HES174	Chukar	1780.0	84/19	1.602	17CD	17.0	7.71	23.1	586	E
VES183	HES183	—	2034.0	72/7	1.681	18CD	18.5	8.39	23.9	607	E
VES194	HES194	Bluebird	2156.0	84/19	1.762	19CD	23.5	10.66	26.2	665	E
VES193	HES193	Kiwi	2167.0	72/7	1.737	19CD	23.4	10.61	26.2	665	E
VES193	HES193	Thrasher	2312.0	76/19	1.802	19CD	23.4	10.61	26.2	665	E
VES203	HES203	Joree	2515.0	76/19	1.880	20CD	24.9	11.29	27.0	686	E

Quick Compress Dead Ends for ACSR Conductor, Eye Type, Double Tongue, VED/HED Series



The Quick Compress Dead Ends are designed for fast and easy installation. By using a high strength alloy, the compression length has been shortened for less compression bites while maintaining a minimum 95% of the ASTM rated strength. The core grip eliminates the need for a steel compression barrel. The steel eye is precom-pressed and the dead end pre-filled, eliminating installation steps.

The dead end tongue and terminal pad are each constructed with a 15° angle, which permits the terminal connector to be bolted in either the straight or the 30° position. Both sides of the pad are finished, creating excellent electrical contact surfaces. For pad to pad connections, AFL recommends the use of No. 2 EJC.

The end tapers of all compression accessories are supplied with a high voltage finish for die sizes 12CD and above. Corona bolts are furnished standard on 15° terminals for these section sizes. The square edges of bolted pads of the compression accessories could cause Corona. Pads with rounded edges and corners can be supplied by adding the catalog suffix 'EHV'.

Ordering Instructions

Step 1: Assembly Catalog Number

Determine the assembly catalog number based on the conductor being used.

Step 2: Terminal Connector

For an assembly without a terminal connector, use 'NT'.
For an assembly with a terminal connector, leave blank.

Step 3: Extra High Voltage Finish

For Extra High Voltage Finish, use 'EHV'. (≥ 345 kV)
For Standard Finish, leave blank. (< 345 kV)

Step 4: Assemble Catalog Number.



Example:

For a vertical eye dead end with no terminal and EHV finish for 795 Drake, the complete catalog number is:

VED128NTEHV

Notes:

1. Assembly Catalog Number includes dead end, core grip, two terminal connectors and aluminum hardware.
2. Eye Dimensions are on page 257.
3. Pad Dimensions are on page 257.
4. Installation Instructions for Dead Ends are on page 265.
5. Installation Instructions for Terminals are on page 272.
6. For more information on die selection and ordering instructions, see Tools and Equipment in this catalog.

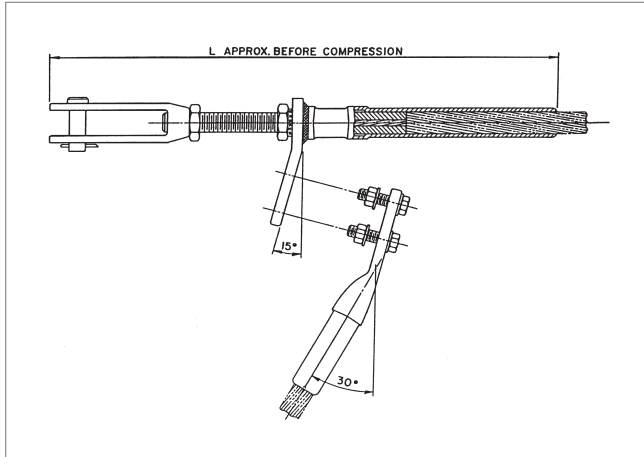
Quick Compress Dead Ends for ACSR Conductor, Eye Type, Double Tongue, VED/HED Series (cont.)

ASSEMBLY CATALOG NUMBER		CONDUCTOR				DIE SIZE	TOTAL WEIGHT		DIMENSION L		PAD SIZE
VERTICAL EYE	HORIZONTAL EYE	CODE WORD	SIZE	STRANDING	DIAMETER		LBS	KG	IN	MM	
			KCMIL	AL/ST	IN						
VED075	HED075	Owl	266.8	6/7	0.633	07CD	2.8	1.27	11.5	292	B
VED072	HED072	Waxwing	266.8	18/1	0.609	07CD	2.8	1.27	11.5	292	B
VED076	HED076	Partridge	266.8	26/7	0.642	07CD	2.8	1.27	11.5	292	B
VED085	HED085	Ostrich	300.0	26/7	0.680	08CD	3.4	1.54	12.3	313	B
VED082	HED082	Merlin	336.4	18/1	0.684	08CD	3.4	1.54	12.3	313	B
VED086	HED086	Linnet	336.4	26/7	0.720	08CD	3.4	1.54	12.3	313	B
VED096	HED096	Oriole	336.4	30/7	0.741	09CD	4.4	2.00	13.8	351	B
VED083	HED083	Chickadee	397.5	18/1	0.743	08CD	3.4	1.54	12.3	313	B
VED095	HED095	Brant	397.5	24/7	0.772	09CD	4.4	2.00	13.8	351	B
VED096	HED096	Ibis	397.5	26/7	0.783	09CD	4.4	2.00	13.8	351	B
VED106	HED106	Lark	397.5	30/7	0.806	10CD	5.3	2.40	14.7	373	B
VED092	HED092	Pelican	477.0	18/1	0.814	09CD	4.3	1.95	13.8	351	B
VED095	HED095	Flicker	477.0	24/7	0.846	09CD	4.3	1.95	13.8	351	B
VED105	HED105	Hawk	477.0	26/7	0.858	10CD	5.3	2.40	14.7	373	B
VED116	HED116	Hen	477.0	30/7	0.883	11CD	7.9	3.58	15.9	403	D
VED102	HED102	Osprey	556.5	18/1	0.879	10CD	5.3	2.40	14.7	373	B
VED105	HED105	Parakeet	556.5	24/7	0.914	10CD	5.3	2.40	14.7	373	B
VED106	HED106	Dove	556.5	26/7	0.927	10CD	5.3	2.40	14.7	373	B
VED117	HED117	Eagle	556.5	30/7	0.953	11CD	7.9	3.58	15.9	403	D
VED115	HED115	Peacock	605.0	24/7	0.953	11CD	7.9	3.58	15.9	403	D
VED116	HED116	Squab	605.0	26/7	0.966	11CD	7.9	3.58	15.9	403	D
VED126	HED126	Teal	605.0	30/19	0.994	12CD	9.2	4.17	16.7	424	D
VED103	HED103	Kingbird	636.0	18/1	0.940	10CD	5.3	2.4	14.7	373	B
VED115	HED115	Root	636.0	24/7	0.977	11CD	7.9	3.58	15.9	403	D
VED116	HED116	Grosbeak	636.0	26/7	0.990	11CD	7.9	3.58	15.9	403	D
VED126	HED126	Egret	636.0	30/19	1.019	12CD	9.2	4.17	16.7	424	D
VED101	HED101	Swift	636.0	36/1	0.930	10CD	5.3	2.40	14.7	373	B
VED115	HED115	Flamingo	666.6	24/7	1.000	11CD	7.9	3.58	15.9	403	D
VED115	HED115	Stilt	715.5	24/7	1.036	11CD	7.9	3.58	15.9	403	D
VED126	HED126	Starling	715.5	26/7	1.051	12CD	9.2	4.17	16.7	424	D
VED136	HED136	Redwing	715.5	30/19	1.081	13CD	11.8	5.36	19.0	483	D
VED125	HED125	Cuckoo	795.0	24/7	1.092	12CD	9.2	4.17	16.7	424	D
VED126	HED126	Drake	795.0	26/7	1.108	12CD	9.2	4.17	16.7	424	D
VED146	HED146	Mallard	795.0	30/19	1.140	14CD	13.6	6.17	19.8	503	D
VED111	HED111	Coot	795.0	36/1	1.040	11CD	7.8	3.64	15.9	403	D

Quick Compress Dead Ends for ACSR Conductor, Eye Type, Double Tongue, VED/HED Series (cont.)

ASSEMBLY CATALOG NUMBER		CONDUCTOR				DIE SIZE	TOTAL WEIGHT		DIMENSION L		PAD SIZE
VERTICAL EYE	HORIZONTAL EYE	CODE WORD	SIZE	STRANDING	DIAMETER		LBS	KG	IN	MM	
			KCMIL	AL/ST	IN						
VED123	HED123	Tern	795.0	45/7	1.063	12CD	9.2	4.17	16.7	424	D
VED125	HED125	Condor	795.0	54/7	1.093	12CD	9.2	4.17	16.7	424	D
VED124	HED124	Ruddy	900.0	45/7	1.131	12CD	9.2	4.17	16.7	424	D
VED135	HED135	Canary	900.0	54/7	1.162	13CD	11.8	5.35	19.0	483	D
VED121	HED121	Catbird	954.0	36/1	1.140	12CD	9.1	4.13	16.7	424	D
VED133	HED133	Rail	954.0	45/7	1.165	13CD	11.7	5.31	19.0	483	D
VED135	HED135	Cardinal	954.0	54/7	1.196	13CD	11.8	5.35	19.0	483	D
VED131	HED131	Tanger	1033.5	36/1	1.186	13CD	11.6	5.26	19.0	483	D
VED134	HED134	Ortolan	1033.5	45/7	1.212	13CD	11.7	5.31	19.0	483	D
VED145	HED145	Curlew	1033.5	54/7	1.244	14CD	13.5	6.12	19.8	503	D
VED143	HED143	Bluejay	1113.0	45/7	1.259	14CD	13.5	6.12	19.8	503	D
VED145	HED145	Finch	1113.0	54/19	1.293	14CD	13.5	6.12	19.8	503	D
VED144	HED144	Bunting	1192.5	45/7	1.302	14CD	13.5	6.12	19.8	503	D
VED155	HED155	Grackle	1192.5	54/19	1.333	15CD	15.0	6.80	20.6	524	D
VED153	HED153	Bittern	1272.0	45/7	1.345	15CD	14.9	6.76	20.6	524	D
VED155	HED155	Pheasant	1272.0	54/19	1.382	15CD	15.0	6.80	20.6	524	D
VED154	HED154	Dipper	1351.5	45/7	1.385	15CD	15.0	6.80	20.6	524	D
VED155	HED155	Martin	1351.5	54/19	1.424	15CD	15.0	6.80	20.6	524	D
VED163	HED163	Bobolink	1431.0	45/7	1.427	16CD	18.4	8.35	22.3	567	D
VED165	HED165	Plover	1431.0	54/19	1.465	16CD	18.5	8.39	22.3	567	D
VED164	HED164	Nuthatch	1510.5	45/7	1.466	16CD	18.4	8.35	22.3	567	D
VED165	HED165	Parrot	1510.5	54/19	1.506	16CD	18.5	8.39	22.3	567	D
VED164	HED164	Lapwing	1590.0	45/7	1.504	16CD	18.4	8.35	22.3	567	D
VED175	HED175	Falcon	1590.0	54/19	1.545	17CD	22.8	10.34	23.1	586	E
VED174	HED174	Chukar	1780.0	84/19	1.602	17CD	22.8	10.34	23.1	586	E
VED183	HED183	-----	2034.0	72/7	1.681	18CD	24.8	11.25	23.9	607	E
VED194	HED194	Bluebird	2156.0	84/19	1.762	19CD	30.9	14.02	26.2	665	E
VED193	HED193	Kiwi	2167.0	72/7	1.737	19CD	30.8	13.97	26.2	665	E
VED193	HED193	Thrasher	2312.0	76/19	1.802	19CD	30.8	13.97	26.2	665	E
VED203	HED203	Joree	2515.0	76/19	1.880	20CD	32.7	14.83	27.0	686	E

Quick Compress Dead Ends for ACSR Conductor, Adjustable Clevis Type, Single Tongue, ACS Series



The Quick Compress Dead Ends are designed for fast and easy installation. By using a high strength alloy, the compression length has been shortened for less compression bites while maintaining a minimum 95% of the ASTM rated strength. The core grip eliminates the need for a steel compression barrel. The adjustable steel clevis is pre-compressed and the dead end pre-filled, eliminating installation steps.

The dead end tongue and terminal pad are each constructed with a 15° angle, which permits the terminal connector to be bolted in either the straight or the 30° position. Both sides of the pad are finished, creating excellent electrical contact surfaces. For pad to pad connections, AFL recommends the use of No. 2 EJC.

The end tapers of all compression accessories are supplied with a high voltage finish for die sizes 12CD and above. Corona bolts are furnished standard on 15° terminals for these section sizes. The square edges of bolted pads of the compression accessories could cause Corona. Pads with rounded edges and corners can be supplied by adding the catalog suffix 'EHV'.

Ordering Instructions

Step 1: Assembly Catalog Number

Determine the assembly catalog number based on the conductor being used.

Step 2: Terminal Connector

For an assembly without a terminal connector, use 'NT'.

For an assembly with a terminal connector, leave blank.

Step 3: Extra High Voltage Finish

For Extra High Voltage Finish, use 'EHV'. (≥ 345 kV)

For Standard Finish, leave blank. (< 345 kV)

Step 4: Assemble Catalog Number.



Example:

For an adjustable clevis dead end with no terminal and EHV finish for 795 Drake, the complete catalog number is:

ACS126NTEHV

Notes:

1. Assembly Catalog Number includes dead end, core grip, terminal connector and aluminum hardware.
2. Clevis Dimensions are on page 258.
3. Pad Dimensions are on page 257.
4. Installation Instructions for Dead Ends are on page 265.
5. Installation Instructions for Terminals are on page 272.
6. For more information on die selection and ordering instructions, see Tools and Equipment tab in this catalog.

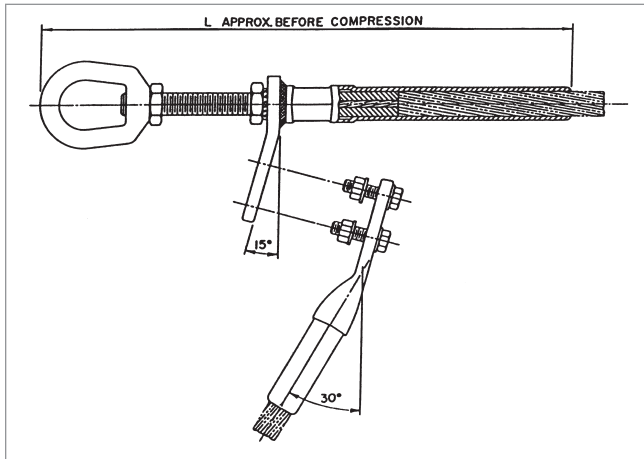
Quick Compress Dead Ends for ACSR Conductor, Adjustable Clevis Type, Single Tongue, ACS Series (cont.)

ASSEMBLY CATALOG NUMBER	CONDUCTOR				DIE SIZE	TOTAL WEIGHT		DIMENSION L		PAD SIZE
	CODE NAME	SIZE	STRANDING	DIAMETER		LBS	KG	IN	MM	
		KCMIL	AL/ST	IN						
ACS075	Owl	266.8	6/7	0.633	07CD	4.4	2.00	19.3	489	B
ACS072	Waxwing	266.8	18/1	0.609	07CD	4.4	2.00	19.3	489	B
ACS076	Partridge	266.8	26/7	0.642	07CD	4.4	2.00	19.3	489	B
ACS085	Ostrich	300.0	26/7	0.680	08CD	5.2	2.36	20.2	513	B
ACS082	Merlin	336.4	18/1	0.684	08CD	5.1	2.31	20.2	513	B
ACS086	Linnet	336.4	26/7	0.720	08CD	5.2	2.36	20.2	513	B
ACS096	Oriole	336.4	30/7	0.741	09CD	6.3	2.86	21.7	551	B
ACS083	Chickadee	397.5	18/1	0.743	08CD	5.1	2.31	20.2	513	B
ACS095	Brant	397.5	24/7	0.772	09CD	6.3	2.86	21.7	551	B
ACS096	Ibis	397.5	26/7	0.783	09CD	6.3	2.86	21.7	551	B
ACS106	Lark	397.5	30/7	0.806	10CD	6.8	3.08	22.5	572	B
ACS092	Pelican	477.0	18/1	0.814	09CD	6.3	2.86	21.7	551	B
ACS095	Flicker	477.0	24/7	0.846	09CD	6.3	2.86	21.7	551	B
ACS105	Hawk	477.0	26/7	0.858	10CD	6.8	3.08	22.5	572	B
ACS116	Hen	477.0	30/7	0.883	11CD	11.3	5.13	25.9	659	D
ACS102	Osprey	556.5	18/1	0.879	10CD	6.8	3.08	22.5	572	B
ACS105	Parakeet	556.5	24/7	0.914	10CD	6.8	3.08	22.5	572	B
ACS106	Dove	556.5	26/7	0.927	10CD	6.8	3.08	22.5	572	B
ACS117	Eagle	556.5	30/7	0.953	11CD	11.3	5.13	25.9	659	D
ACS115	Peacock	605.0	24/7	0.953	11CD	11.3	5.13	25.9	659	D
ACS116	Squab	605.0	26/7	0.966	11CD	11.3	5.13	25.9	659	D
ACS126	Teal	605.0	30/19	0.994	12CD	12.1	5.49	26.8	679	D
ACS103	Kingbird	636.0	18/1	0.940	10CD	6.8	3.08	22.5	572	B
ACS115	Root	636.0	24/7	0.977	11CD	11.3	5.13	25.9	659	D
ACS116	Grosbeak	636.0	26/7	0.990	11CD	11.3	5.13	25.9	659	D
ACS126	Egret	636.0	30/19	1.019	12CD	12.1	5.49	26.8	679	D
ACS101	Swift	636.0	36/1	0.930	10CD	6.8	3.08	22.5	572	B
ACS115	Flamingo	666.6	24/7	1.000	11CD	11.3	5.13	25.9	659	D
ACS115	Stilt	715.5	24/7	1.036	11CD	11.3	5.13	25.9	659	D
ACS126	Starling	715.5	26/7	1.051	12CD	12.1	5.49	26.8	679	D
ACS136	Redwing	715.5	30/19	1.081	13CD	15.3	6.94	28.7	729	D
ACS125	Cuckoo	795.0	24/7	1.092	12CD	12.1	5.49	26.8	679	D
ACS126	Drake	795.0	26/7	1.108	12CD	12.1	5.49	26.8	679	D
ACS146	Mallard	795.0	30/19	1.140	14CD	16.5	7.48	29.5	749	D
ACS111	Coot	795.0	36/1	1.040	11CD	11.2	5.08	25.9	659	D
ACS123	Tern	795.0	45/7	1.063	12CD	12.1	5.49	26.8	679	D
ACS125	Condor	795.0	54/7	1.093	12CD	12.1	5.49	26.8	679	D

Quick Compress Dead Ends for ACSR Conductor, Adjustable Clevis Type, Single Tongue, ACS Series (cont.)

ASSEMBLY CATALOG NUMBER	CONDUCTOR				DIE SIZE	TOTAL WEIGHT		DIMENSION L		PAD SIZE
	CODE NAME	SIZE	STRANDING	DIAMETER		LBS	KG	IN	MM	
		KCMIL	AL/ST	IN						
ACS124	Ruddy	900.0	45/7	1.131	12CD	12.1	5.49	26.8	679	D
ACS135	Canary	900.0	54/7	1.162	13CD	15.3	6.94	28.7	729	D
ACS121	Catbird	954.0	36/1	1.140	12CD	12.0	5.44	26.8	679	D
ACS133	Rail	954.0	45/7	1.165	13CD	15.2	6.89	28.7	729	D
ACS135	Cardinal	954.0	54/7	1.196	13CD	15.3	6.94	28.7	729	D
ACS131	Tanger	1033.5	36/1	1.186	13CD	15.1	6.85	28.7	729	D
ACS134	Ortolan	1033.5	45/7	1.212	13CD	15.2	6.89	28.7	729	D
ACS145	Curlew	1033.5	54/7	1.244	14CD	16.4	7.44	29.5	749	D
ACS143	Bluejay	1113.0	45/7	1.259	14CD	16.4	7.44	29.5	749	D
ACS145	Finch	1113.0	54/19	1.293	14CD	16.4	7.44	29.5	749	D
ACS144	Bunting	1192.5	45/7	1.302	14CD	16.4	7.44	29.5	749	D
ACS155	Grackle	1192.5	54/19	1.333	15CD	17.5	7.94	31.3	770	D
ACS153	Bittern	1272.0	45/7	1.345	15CD	17.4	7.89	30.3	770	D
ACS155	Pheasant	1272.0	54/19	1.382	15CD	17.5	7.94	30.3	770	D
ACS154	Dipper	1351.5	45/7	1.385	15CD	17.5	7.94	30.3	770	D
ACS155	Martin	1351.5	54/19	1.424	15CD	17.5	7.94	30.3	770	D
ACS163	Bobolink	1431.0	45/7	1.427	16CD	23.9	10.84	34.4	873	D
ACS165	Plover	1431.0	54/19	1.465	16CD	24.0	10.89	34.4	873	D
ACS164	Nuthatch	1510.5	45/7	1.466	16CD	23.9	10.84	34.4	873	D
ACS165	Parrot	1510.5	54/19	1.506	16CD	24.0	10.89	34.4	873	D
ACS164	Lapwing	1590.0	45/7	1.504	16CD	23.9	10.84	34.4	873	D
ACS175	Falcon	1590.0	54/19	1.545	17CD	27.2	12.34	35.3	895	E
ACS174	Chukar	1780.0	84/19	1.602	17CD	27.1	12.29	35.3	895	E
ACS183	-----	2034.0	72/7	1.681	18CD	28.6	12.97	36.0	914	E
ACS194	Bluebird	2156.0	84/19	1.762	19CD	37.3	16.92	38.2	970	E
ACS193	Kiwi	2167.0	72/7	1.737	19CD	37.2	16.87	38.2	970	E
ACS193	Thrasher	2312.0	74/19	1.802	19CD	37.2	16.87	38.2	970	E
ACS203	Joree	2515.0	74/19	1.880	20CD	38.6	17.51	39.0	991	E

Quick Compress Dead Ends for ACSR Conductor, Adjustable Eye Type, Single Tongue, AES Series



The Quick Compress Dead Ends are designed for fast and easy installation. By using a high strength alloy, the compression length has been shortened for less compression bites while maintaining a minimum 95% of the ASTM rated strength. The core grip eliminates the need for a steel compression barrel. The adjustable steel eye is pre-compressed and the dead end pre-filled, eliminating installation steps.

The dead end tongue and terminal pad are each constructed with a 15° angle, which permits the terminal connector to be bolted in either the straight or the 30° position. Both sides of the pad are finished, creating excellent electrical contact surfaces. For pad to pad connections, AFL recommends the use of No. 2 EJC.

The end tapers of all compression accessories are supplied with a high voltage finish for die sizes 12CD and above. Corona bolts are furnished standard on 15° terminals for these section sizes.

The square edges of bolted pads of the compression accessories could cause Corona. Pads with rounded edges and corners can be supplied by adding the catalog suffix 'EHV'.

Ordering Instructions

Step 1: Assembly Catalog Number

Determine the assembly catalog number based on the conductor being used.

Step 2: Terminal Connector

For an assembly without a terminal connector, use 'NT'.

For an assembly with a terminal connector, leave blank.

Step 3: Extra High Voltage Finish

For Extra High Voltage Finish, use 'EHV'. (≥ 345 kV)

For Standard Finish, leave blank. (< 345 kV)

Step 4: Assemble Catalog Number.



Example:

For an adjustable eye dead end with no terminal and EHV finish for 795 Drake, the complete catalog number is:

AES126NTEHV

Notes:

1. Assembly Catalog Number includes dead end, core grip, terminal connector and aluminum hardware.
2. Eye Dimensions are on page 258.
3. Pad Dimensions are on page 257.
4. Installation Instructions for Dead Ends are on page 265.
5. Installation Instructions for Terminals are on page 272.
6. For more information on die selection and ordering instructions, see Tools and Equipment tab in this catalog.

Quick Compress Dead Ends for ACSR Conductor, Adjustable Eye Type, Single Tongue, AES Series (cont.)

ASSEMBLY CATALOG NUMBER	CONDUCTOR				DIE SIZE	TOTAL WEIGHT		DIMENSION L		PAD SIZE
	CODE WORD	SIZE	STRANDING	DIAMETER		LBS	KG	IN	MM	
		KCMIL	AL/ST	IN						
AES075	Owl	266.8	6/7	0.633	07CD	2.7	1.22	16.4	418	B
AES072	Waxwing	266.8	18/1	0.609	07CD	2.7	1.22	16.4	418	B
AES076	Partridge	266.8	26/7	0.642	07CD	2.7	1.22	16.4	418	B
AES085	Ostrich	300.0	26/7	0.680	08CD	3.9	1.77	17.8	453	B
AES082	Merlin	336.4	18/1	0.684	08CD	3.8	1.72	17.8	453	B
AES086	Linnet	336.4	26/7	0.720	08CD	3.9	1.77	17.8	453	B
AES096	Oriole	336.4	30/7	0.741	09CD	5.7	2.59	19.7	501	B
AES083	Chickadee	397.5	18/1	0.743	08CD	3.8	1.72	17.8	453	B
AES095	Brant	397.5	24/7	0.772	09CD	5.7	2.59	19.7	501	B
AES096	Ibis	397.5	26/7	0.783	09CD	5.7	2.59	19.7	501	B
AES106	Lark	397.5	30/7	0.806	10CD	6.2	2.81	20.5	521	B
AES092	Pelican	477.0	18/1	0.814	09CD	5.7	2.59	19.7	501	B
AES095	Flicker	477.0	24/7	0.846	09CD	5.7	2.59	19.7	501	B
AES105	Hawk	477.0	26/7	0.858	10CD	6.2	2.81	20.5	521	B
AES116	Hen	477.0	30/7	0.883	11CD	9.3	4.22	23.3	591	D
AES102	Osprey	556.5	18/1	0.879	10CD	6.2	2.81	20.5	521	B
AES105	Parakeet	556.5	24/7	0.914	10CD	6.2	2.81	20.5	521	B
AES106	Dove	556.5	26/7	0.927	10CD	6.2	2.81	20.5	521	B
AES117	Eagle	556.5	30/7	0.953	11CD	9.3	4.22	23.3	591	D
AES115	Peacock	605.0	24/7	0.953	11CD	9.3	4.22	23.3	591	D
AES116	Squab	605.0	26/7	0.966	11CD	9.3	4.22	23.3	591	D
AES126	Teal	605.0	30/19	0.994	12CD	10.1	4.58	24.1	611	D
AES103	Kingbird	636.0	18/1	0.940	10CD	6.2	2.81	20.5	521	B
AES115	Root	636.0	24/7	0.977	11CD	9.3	4.22	23.3	591	D
AES116	Grosbeak	636.0	26/7	0.990	11CD	9.3	4.22	23.3	591	D
AES126	Egret	636.0	30/19	1.019	12CD	10.1	4.58	24.1	611	D
AES101	Swift	636.0	36/1	0.930	10CD	6.2	2.81	20.5	521	B
AES115	Flamingo	666.6	24/7	1.000	11CD	9.3	4.22	23.3	591	D
AES115	Stilt	715.5	24/7	1.036	11CD	9.3	4.22	23.3	591	D
AES126	Starling	715.5	26/7	1.051	12CD	10.1	4.58	24.1	611	D
AES136	Redwing	715.5	30/19	1.081	13CD	14.2	6.44	26.5	673	D
AES125	Cuckoo	795.0	24/7	1.092	12CD	10.1	4.58	24.1	611	D
AES126	Drake	795.0	26/7	1.108	12CD	10.1	4.58	24.1	611	D
AES146	Mallard	795.0	30/19	1.140	14CD	15.4	6.99	27.3	694	D
AES111	Coot	795.0	36/1	1.040	11CD	9.2	4.17	23.3	591	D
AES123	Tern	795.0	45/7	1.063	12CD	10.1	4.58	24.1	611	D

Quick Compress Dead Ends for ACSR Conductor, Adjustable Eye Type, Single Tongue, AES Series (cont.)

ASSEMBLY CATALOG NUMBER	CONDUCTOR				DIE SIZE	TOTAL WEIGHT		DIMENSION L		PAD SIZE
	CODE WORD	SIZE	STRANDING	DIAMETER		LBS	KG	IN	MM	
		KCMIL	AL/ST	IN						
AES125	Condor	795.0	54/7	1.093	12CD	10.1	4.58	24.1	611	D
AES124	Ruddy	900.0	45/7	1.131	12CD	10.1	4.58	24.1	611	D
AES135	Canary	900.0	54/7	1.162	13CD	14.2	6.44	26.5	673	D
AES121	Catbird	954.0	36/1	1.140	12CD	10.1	4.54	24.1	611	D
AES133	Rail	954.0	45/7	1.165	13CD	14.1	6.40	26.5	673	D
AES135	Cardinal	954.0	54/7	1.196	13CD	14.2	6.44	26.5	673	D
AES131	Tanger	1033.5	36/1	1.186	13CD	14.0	6.35	26.5	673	D
AES134	Ortolan	1033.5	45/7	1.212	13CD	14.1	6.40	26.5	673	D
AES145	Curlew	1033.5	54/7	1.244	14CD	15.3	6.94	27.3	694	D
AES143	Bluejay	1113.0	45/7	1.259	14CD	15.3	6.94	27.3	694	D
AES145	Finch	1113.0	54/19	1.293	14CD	15.3	6.94	27.3	694	D
AES144	Bunting	1192.5	45/7	1.302	14CD	15.3	6.94	27.3	694	D
AES155	Grackle	1192.5	54/19	1.333	15CD	16.5	7.48	28.1	714	D
AES153	Bittern	1272.0	45/7	1.345	15CD	16.4	7.44	28.1	714	D
AES155	Pheasant	1272.0	54/19	1.382	15CD	16.5	7.48	28.1	714	D
AES154	Dipper	1351.5	45/7	1.385	15CD	16.5	7.48	28.1	714	D
AES155	Martin	1351.5	54/19	1.424	15CD	16.5	7.48	28.1	714	D
AES163	Bobolink	1431.0	45/7	1.427	16CD	23.6	10.70	31.7	806	D
AES165	Plover	1431.0	54/19	1.465	16CD	23.7	10.75	31.7	806	D
AES164	Nuthatch	1510.5	45/7	1.466	16CD	23.6	10.70	31.7	806	D
AES165	Parrot	1510.5	54/19	1.506	16CD	23.7	10.75	31.7	806	D
AES164	Lapwing	1590.0	45/7	1.504	16CD	23.6	10.70	31.7	806	D
AES175	Falcon	1590.0	54/19	1.545	17CD	26.9	12.20	32.5	826	E
AES174	Chukar	1780.0	84/19	1.602	17CD	26.8	12.16	32.5	826	E
AES183	—	2034.0	72/7	1.681	18CD	26.3	12.84	33.3	845	E
AES194	Bluebird	2156.0	84/19	1.762	19CD	34.1	15.47	35.2	895	E
AES193	Kiwi	2167.0	72/7	1.737	19CD	34.0	15.42	35.2	895	E
AES193	Thrasher	2312.0	76/19	1.802	19CD	34.0	15.42	35.2	895	E
AES203	Joree	2515.0	76/19	1.880	20CD	35.7	16.19	36.1	915	E