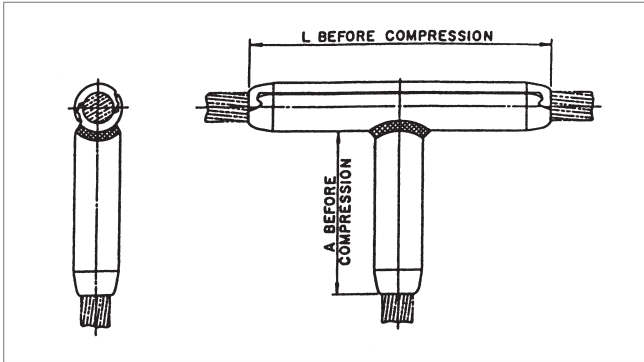


Quick Compress Tee Connector for AAAC and ACAR Conductor, Open Run, TTOC Series



The TTOC Series Open Run Tee Connector is a permanent drop specifically designed for ACSR, AAC, AAAC and ACAR conductors.

The end tapers of all compression accessories are supplied with a high voltage finish for die size sections 12CD and above.

Ordering Instructions

Step 1: Assembly Catalog Number

Determine the assembly catalog number based on the conductor being used.

Example:

A tee connector for 927.7 Greeley, the complete catalog number is:

TTOC12

Notes:

1. Tee Connectors are not prefilled with AFC.
2. Installation Instructions for Tee Connectors are on page 274.
3. For more information on die selection and ordering instructions, see Tools and Equipment tab in this catalog.

CATALOG NUMBER	CONDUCTOR			DIE SIZE	TOTAL WEIGHT		DIMENSIONS			
	CODE WORD	SIZE	DIAMETER		LBS	KG	A		L	
		KCMIL	IN				IN	MM	IN	MM
TTOC07	—	281.4	0.609	07CD	0.5	0.22	3.9	100	6.4	163
TTOC07	Butte	312.8	0.642	07CD	0.5	0.22	3.9	100	6.4	163
TTOC08	—	355.1	0.684	08CD	0.7	0.32	4.4	111	7.2	183
TTOC08	Canton	394.5	0.721	08CD	0.7	0.32	4.4	111	7.2	183
TTOC08	—	419.6	0.743	08CD	0.7	0.32	4.4	111	7.2	183
TTOC09	Cairo	465.4	0.783	09CD	1.0	0.45	4.8	122	7.9	199
TTOC09	—	503.6	0.814	09CD	1.0	0.45	4.8	122	7.9	199
TTOC10	Darien	559.5	0.858	10CD	1.3	0.59	5.3	133	8.5	216
TTOC10	—	587.2	0.879	10CD	1.3	0.59	5.3	133	8.5	216
TTOC10	—	634.9	0.914	10CD	1.3	0.59	5.3	133	8.5	216
TTOC10	—	649.5	0.928	10CD	1.3	0.59	5.3	133	8.5	216
TTOC10	Elgin	652.4	0.927	10CD	1.3	0.59	5.3	133	8.5	216
TTOC10	—	657.3	0.930	10CD	1.3	0.59	5.3	133	8.5	216
TTOC11	Flint	740.8	0.991	11CD	1.7	0.77	5.7	145	9.2	234
TTOC12	—	853.7	1.063	12CD	2.1	0.95	6.1	155	9.9	250
TTOC12	Greeley	927.2	1.108	12CD	2.1	0.95	6.1	155	9.9	250
TTOC13	—	1024.5	1.165	13CD	2.9	1.32	6.6	167	10.6	269
TTOC13	—	1080.6	1.196	13CD	2.9	1.32	6.6	167	10.6	269
TTOC13	—	1108.6	1.212	13CD	2.9	1.32	6.6	167	10.6	269
TTOC14	—	1172.3	1.246	14CD	3.5	1.59	7.0	178	11.2	285
TTOC16	—	1534.0	1.427	16CD	5.0	2.27	7.8	198	12.5	316
TTOC16	—	1700.0	1.502	16CD	5.0	2.27	7.8	198	12.5	316
TTOC19	—	2303.5	1.750	19CD	8.0	3.63	9.1	230	14.4	364
TTOC19	—	2338.0	1.762	19CD	8.0	3.63	9.1	230	14.4	364
TTOC20	—	2493.0	1.821	20CD	9.2	4.17	9.4	240	14.9	378