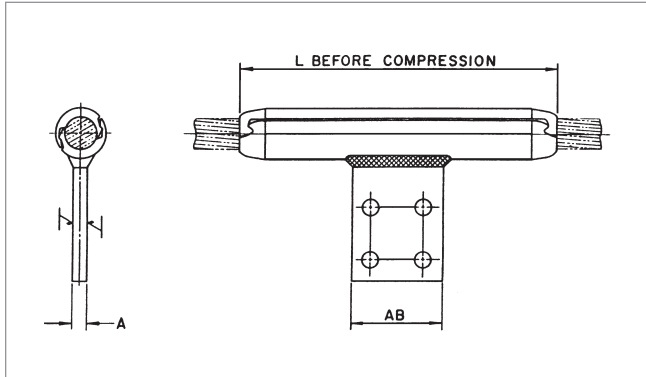


## Quick Compress Tee Tap for AAC Conductor, Open Run, TTOP Series



The TTOP Series Open Run Tee Tap is a permanent or temporary drop. By using a high strength alloy, the compression length has been shortened for less compression bites.

The run portion incorporates an improved design of interlocking extrusions, providing a permanent grip on the conductor when compressed.

The end tapers of all compression accessories are supplied with a High Voltage finish for die size sections 12CD and above.

The square edges of bolted pads of the compression accessories could cause Corona. Pads with edges and corners rounded can be supplied by adding the catalog suffix 'EHV'.

### Ordering Instructions

#### Step 1: Assembly Catalog Number

Determine the assembly catalog number based on the conductor being used.

#### Step 2: Extra High Voltage Finish

For Extra High Voltage Finish, use 'EHV'. ( $\geq 345$  kV)

For Standard Finish, leave blank. ( $< 345$  kV)

#### Step 3: Assemble Catalog Number.

Assey Catalog Number	+	EHV Finish
-------------------------	---	---------------

#### Example:

A tee tap for 795 Arbutus with EHV finish, the complete catalog number is:

**TTOP11EHV**

#### Notes:

1. Pad Dimensions are on page 257.
2. Installation Instructions for Tee Taps are on page 274.
3. For more information on die selection and ordering instructions, see Tools and Equipment tab in this catalog.

## Quick Compress Tee Tap for AAC Conductor, Open Run, TTOP Series (cont.)

**AAC ACCESSORIES**

CATALOG NUMBER	CONDUCTOR				DIE SIZE	WEIGHT		DIMENSIONS						PAD SIZE
	CODE WORD	SIZE	STRANDING	DIAMETER		ALUMINUM		A		L		AB		
		KCMIL	AL/ST	IN		LBS	KG	IN	MM	IN	MM	IN	MM	
TTOP07	Peony	300.6	19	0.629	07CD	0.6	0.27	0.4	10	7.4	187	2.0	51	B
TTOP07	Tulip	336.4	19	0.666	07CD	0.6	0.27	0.4	10	7.4	187	2.0	51	B
TTOP07	Daffodil	350.0	19	0.679	07CD	0.6	0.27	0.4	10	7.4	187	2.0	51	B
TTOP08	Canna	397.5	19	0.724	08CD	0.7	0.34	0.4	10	8.0	202	2.0	51	B
TTOP09	Goldentuft	450.0	19	0.770	09CD	0.9	0.41	0.4	10	8.5	215	2.0	51	B
TTOP09	Cosmos	477.0	19	0.793	09CD	0.9	0.41	0.4	10	8.5	215	2.0	51	B
TTOP09	Zinnia	500.0	19	0.811	09CD	0.9	0.41	0.4	10	8.5	215	2.0	51	B
TTOP10	Dahlia	556.5	19	0.856	10CD	1.0	0.45	0.4	10	9.0	229	2.0	51	B
TTOP10	Meadowsweet	600.0	37	0.891	10CD	1.0	0.45	0.4	10	9.0	229	2.0	51	B
TTOP10	Orchid	636.0	37	0.918	10CD	1.0	0.45	0.4	10	9.0	229	2.0	51	B
TTOP10	Heuchera	650.0	37	0.928	10CD	1.0	0.45	0.4	10	9.0	229	2.0	51	B
TTOP11	Verbena	700.0	37	0.963	11CD	1.7	0.77	0.5	13	10.5	267	3.0	76	D
TTOP11	Violet	715.5	37	0.974	11CD	1.7	0.77	0.5	13	10.5	267	3.0	76	D
TTOP11	Petunia	750.0	37	0.997	11CD	1.7	0.77	0.5	13	10.5	267	3.0	76	D
TTOP11	Arbutus	795.0	37	1.026	11CD	1.7	0.77	0.5	13	10.5	267	3.0	76	D
TTOP11	—	800.0	61	1.031	11CD	1.7	0.77	0.5	13	10.5	267	3.0	76	D
TTOP12	Cockscomb	900.0	37	1.092	12CD	2.0	0.91	0.5	13	11.1	281	3.0	76	D
TTOP12	Magnolia	954.0	37	1.124	12CD	2.0	0.91	0.5	13	11.1	281	3.0	76	D
TTOP13	Hawkweed	1000.0	37	1.151	13CD	2.4	1.09	0.5	13	11.6	294	3.0	76	D
TTOP13	Bluebell	1033.5	37	1.170	13CD	2.4	1.09	0.5	13	11.6	294	3.0	76	D
TTOP13	Marigold	1113.0	61	1.216	13CD	2.4	1.09	0.5	13	11.6	294	3.0	76	D
TTOP14	Hawthorn	1192.5	61	1.258	14CD	2.8	1.27	0.5	13	12.1	307	3.0	76	D
TTOP14	—	1250.0	91	1.289	14CD	2.8	1.27	0.5	13	12.1	307	3.0	76	D
TTOP14	Narcissus	1272.0	61	1.300	14CD	2.8	1.27	0.5	13	12.1	307	3.0	76	D
TTOP14	—	1300.0	91	1.315	14CD	2.8	1.27	0.5	13	12.1	307	3.0	76	D
TTOP15	Columbine	1351.5	61	1.340	15CD	3.3	1.50	0.5	13	12.6	321	3.0	76	D
TTOP15	Carnation	1431.0	61	1.379	15CD	3.3	1.50	0.5	13	12.6	321	3.0	76	D
TTOP15	—	1500.0	91	1.412	15CD	3.3	1.50	0.5	13	12.6	321	3.0	76	D
TTOP15	Gladiolus	1510.5	61	1.417	15CD	3.3	1.50	0.5	13	12.6	321	3.0	76	D
TTOP16	Coreopsis	1590.0	61	1.454	16CD	3.7	1.68	0.5	13	13.2	334	3.0	76	D
TTOP17	Jessamine	1750.0	61	1.525	17CD	5.2	2.36	0.8	19	14.6	370	4.0	102	E
TTOP18	Cowslip	2000.0	91	1.630	18CD	5.9	2.68	0.8	19	15.0	380	4.0	102	E
TTOP19	Sagebrush	2250.0	91	1.729	19CD	6.5	2.95	0.8	19	15.5	393	4.0	102	E
TTOP19	—	2300.0	91	1.750	19CD	6.5	2.95	0.8	19	15.5	393	4.0	102	E
TTOP20	Lupine	2500.0	91	1.823	20CD	7.2	3.27	0.8	19	15.9	403	4.0	102	E