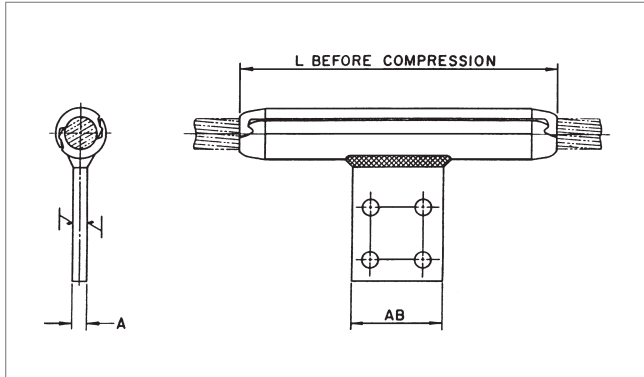


Quick Compress Tee Tap for ACSR Conductor, Open Run, TTOP Series



The TTOP Series Open Run Tee Tap is a permanent or temporary drop. By using a high strength alloy, the compression length has been shortened for less compression bites.

The run portion incorporates an improved design of interlocking extrusions, providing a permanent grip on the conductor when compressed.

The end tapers of all compression accessories are supplied with a High Voltage finish for die size sections 12CD and above.

The square edges of bolted pads of the compression accessories could cause Corona. Pads with edges and corners rounded can be supplied by adding the catalog suffix 'EHV'.

Ordering Instructions

Step 1: Assembly Catalog Number

Determine the assembly catalog number based on the conductor being used.

Step 2: Extra High Voltage Finish

For Extra High Voltage Finish, use 'EHV'. (≥ 345 kV)

For Standard Finish, leave blank. (< 345 kV)

Step 3: Assemble Catalog Number.

Assy Catalog Number	+	EHV Finish
------------------------	---	---------------

Example:

A tee tap for 795 Drake with EHV finish, the complete catalog number is:

TTOP12EHV

Notes:

1. Pad Dimensions are on page 257.
2. Installation Instructions for Tee Taps are on page 274.
3. For more information on die selection and ordering instructions, see Tools and Equipment tab in this catalog.

Quick Compress Tee Tap for ACSR Conductor, Open Run, TTOP Series (cont.)

CATALOG NUMBER	CONDUCTOR				DIE SIZE	WEIGHT		DIMENSIONS						PAD SIZE
	CODE WORD	SIZE	STRAND-ING	DIAMETER		ALUMINUM		A		L		AB		
		KCMIL	AL/ST	IN		LBS	KG	IN	MM	IN	MM	IN	MM	
TTOP07	Owl	266.8	6/7	0.633	07CD	0.6	0.27	0.4	10	7.4	187	2.0	51	B
TTOP07	Waxwing	266.8	18/1	0.609	07CD	0.6	0.27	0.4	10	7.4	187	2.0	51	B
TTOP07	Partridge	266.8	26/7	0.642	07CD	0.6	0.27	0.4	10	7.4	187	2.0	51	B
TTOP08	Ostrich	300	26/7	0.680	08CD	0.7	0.34	0.4	10	8.0	202	2.0	51	B
TTOP08	Merlin	336.4	18/1	0.684	08CD	0.7	0.34	0.4	10	8.0	202	2.0	51	B
TTOP08	Linnet	336.4	26/7	0.720	08CD	0.7	0.34	0.4	10	8.0	202	2.0	51	B
TTOP09	Oriole	336.4	30/7	0.741	09CD	0.9	0.41	0.4	10	8.5	215	2.0	51	B
TTOP08	Chickadee	397.5	18/1	0.743	08CD	0.7	0.34	0.4	10	8.0	202	2.0	51	B
TTOP09	Brant	397.5	24/7	0.772	09CD	0.9	0.41	0.4	10	8.5	215	2.0	51	B
TTOP09	Ibis	397.5	26/7	0.783	09CD	0.9	0.41	0.4	10	8.5	215	2.0	51	B
TTOP10	Lark	397.5	30/7	0.806	10CD	1.0	0.45	0.4	10	9.0	229	2.0	51	B
TTOP09	Pelican	477	18/1	0.814	09CD	0.9	0.41	0.4	10	8.5	215	2.0	51	B
TTOP09	Flicker	477	24/7	0.846	09CD	0.9	0.41	0.4	10	8.5	215	2.0	51	B
TTOP10	Hawk	477	26/7	0.858	10CD	1.0	0.45	0.4	10	9.0	229	2.0	51	B
TTOP11	Hen	477	30/7	0.883	11CD	1.7	0.77	0.5	13	10.5	267	3.0	76	D
TTOP10	Osprey	556.5	18/1	0.879	10CD	1.0	0.45	0.4	10	9.0	229	2.0	51	B
TTOP10	Parakeet	556.5	24/7	0.914	10CD	1.0	0.45	0.4	10	9.0	229	2.0	51	B
TTOP10	Dove	556.5	26/7	0.927	10CD	1.0	0.45	0.4	10	9.0	229	2.0	51	B
TTOP11	Eagle	556.5	30/7	0.953	11CD	1.7	0.77	0.5	13	10.5	267	3.0	76	D
TTOP11	Peacock	605	24/7	0.953	11CD	1.7	0.77	0.5	13	10.5	267	3.0	76	D
TTOP11	Squab	605	26/7	0.966	11CD	1.7	0.77	0.5	13	10.5	267	3.0	76	D
TTOP12	Teal	605	30/19	0.994	12CD	2.0	0.91	0.5	13	11.1	281	3.0	76	D
TTOP10	Kingbird	636	18/1	0.940	10CD	1.0	0.45	0.4	10	9.0	229	2.0	51	B
TTOP11	Root	636	24/7	0.977	11CD	1.7	0.77	0.5	13	10.5	267	3.0	76	D
TTOP11	Grosbeak	636	26/7	0.990	11CD	1.7	0.77	0.5	13	10.5	267	3.0	76	D
TTOP12	Egret	636	30/19	1.019	12CD	2.0	0.91	0.5	13	11.1	281	3.0	76	D
TTOP10	Swift	636	36/1	0.930	10CD	1.0	0.45	0.4	10	9.0	229	2.0	51	B
TTOP11	Flamingo	666.6	24/7	1.000	11CD	1.7	0.77	0.5	13	10.5	267	3.0	76	D
TTOP11	Stilt	715.5	24/7	1.036	11CD	1.7	0.77	0.5	13	10.5	267	3.0	76	D
TTOP12	Starling	715.5	26/7	1.051	12CD	2.0	0.91	0.5	13	11.1	281	3.0	76	D
TTOP13	Redwing	715.5	30/19	1.081	13CD	2.4	1.09	.50	13	11.6	294	3.0	76	D
TTOP12	Cuckoo	795	24/7	1.092	12CD	2.0	0.91	0.5	13	11.1	281	3.0	76	D
TTOP12	Drake	795	26/7	1.108	12CD	2.0	0.91	0.5	13	11.1	281	3.0	76	D
TTOP14	Mallard	795	30/19	1.140	14CD	2.8	1.27	0.5	13	12.1	307	3.0	76	D
TTOP11	Coot	795	36/1	1.040	11CD	1.7	0.77	0.5	13	10.5	267	3.0	76	D
TTOP12	Tern	795	45/7	1.063	12CD	2.0	0.91	0.5	13	11.1	281	3.0	76	D

Quick Compress Tee Tap for ACSR Conductor, Open Run, TTOP Series (cont.)

CATALOG NUMBER	CONDUCTOR				DIE SIZE	WEIGHT		DIMENSIONS						PAD SIZE
	CODE WORD	SIZE	STRAND-ING	DIAMETER		ALUMINUM		A		L		AB		
		KCMIL	AL/ST	IN		LBS	KG	IN	MM	IN	MM	IN	MM	
TTOP12	Condor	795	54/7	1.093	12CD	2.0	0.91	0.5	13	11.1	281	3.0	76	D
TTOP12	Ruddy	900	45/7	1.131	12CD	2.0	0.91	0.5	13	11.1	281	3.0	76	D
TTOP13	Canary	900	54/7	1.162	13CD	2.4	1.09	,50	13	11.6	294	3.0	76	D
TTOP12	Catbird	954	36/1	1.140	12CD	2.0	0.91	0.5	13	11.1	281	3.0	76	D
TTOP13	Rail	954	45/7	1.165	13CD	2.4	1.09	,50	13	11.6	294	3.0	76	D
TTOP13	Cardinal	954	54/7	1.196	13CD	2.4	1.09	,50	13	11.6	294	3.0	76	D
TTOP13	Tanger	1033.5	36/1	1.186	13CD	2.4	1.09	,50	13	11.6	294	3.0	76	D
TTOP13	Ortolan	1033.5	45/7	1.212	13CD	2.4	1.09	,50	13	11.6	294	3.0	76	D
TTOP14	Curlew	1033.5	54/7	1.244	14CD	2.8	1.27	0.5	13	12.1	307	3.0	76	D
TTOP14	Bluejay	1113	45/7	1.259	14CD	2.8	1.27	0.5	13	12.1	307	3.0	76	D
TTOP14	Finch	1113	54/19	1.293	14CD	2.8	1.27	0.5	13	12.1	307	3.0	76	D
TTOP14	Bunting	1192.5	45/7	1.302	14CD	2.8	1.27	0.5	13	12.1	307	3.0	76	D
TTOP15	Grackle	1192.5	54/19	1.333	15CD	3.3	1.50	0.5	13	12.6	321	3.0	76	D
TTOP15	Bittern	1272	45/7	1.345	15CD	3.3	1.50	0.5	13	12.6	321	3.0	76	D
TTOP15	Pheasant	1272	54/19	1.382	15CD	3.3	1.50	0.5	13	12.6	321	3.0	76	D
TTOP15	Dipper	1351.5	45/7	1.385	15CD	3.3	1.50	0.5	13	12.6	321	3.0	76	D
TTOP15	Martin	1351.5	54/19	1.424	15CD	3.3	1.50	0.5	13	12.6	321	3.0	76	D
TTOP16	Bobolink	1431	45/7	1.427	16CD	3.7	1.68	0.5	13	13.2	334	3.0	76	D
TTOP16	Plover	1431	54/19	1.465	16CD	3.7	1.68	0.5	13	13.2	334	3.0	76	D
TTOP16	Nuthatch	1510.5	45/7	1.466	16CD	3.7	1.68	0.5	13	13.2	334	3.0	76	D
TTOP16	Parrot	1510.5	54/19	1.506	16CD	3.7	1.68	0.5	13	13.2	334	3.0	76	D
TTOP16	Lapwing	1590	45/7	1.504	16CD	3.7	1.68	0.5	13	13.2	334	3.0	76	D
TTOP17	Falcon	1590	54/19	1.545	17CD	5.2	2.36	0.8	19	14.6	370	4.0	102	E
TTOP17	Chukar	1780	84/19	1.602	17CD	5.2	2.36	0.8	19	14.6	370	4.0	102	E
TTOP18	—	2034	72/7	1.681	18CD	5.9	2.68	0.8	19	15.0	380	4.0	102	E
TTOP19	Bluebird	2156	84/19	1.762	19CD	6.5	2.95	0.8	19	15.5	393	4.0	102	E
TTOP19	Kiwi	2167	72/7	1.737	19CD	6.5	2.95	0.8	19	15.5	393	4.0	102	E
TTOP19	Thrasher	2312	76/19	1.802	19CD	6.5	2.95	0.8	19	15.5	393	4.0	102	E
TTOP20	Joree	2515	76/19	1.880	20CD	7.2	3.27	0.8	19	15.9	403	4.0	102	E