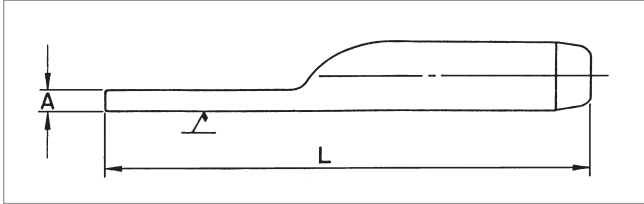


Quick Compress Terminal for AAC Conductor, Straight, TS Series



The TS Series Straight Terminal Connector is designed for fast and easy installation. By using a high strength alloy, the compression length has been shortened for less compression bites. The terminal connector is pre-filled, eliminating an installation step.

All TS Series connectors are designed for limited tension use, maintaining a minimum of 40% of the ASTM rated strength of the conductor.

The end tapers of all compression accessories are supplied with a High Voltage finish for die size sections 12CD and above.

The square edges of bolted pads of the compression accessories could cause Corona. Pads with edges and corners rounded can be supplied by adding the catalog suffix 'EHV'.

Ordering Instructions

Step 1: Catalog Number

Determine the catalog number based on the conductor being used.

Step 2: Extra High Voltage Finish

For Extra High Voltage Finish, use 'EHV'. (≥ 345 kV)

For Standard Finish, leave blank. (< 345 kV)

Step 3: Assemble Catalog Number.



Example:

A straight terminal for 795 Arbutus with an B pad and EHV finish, the complete catalog number is:

TS11EHV

Notes:

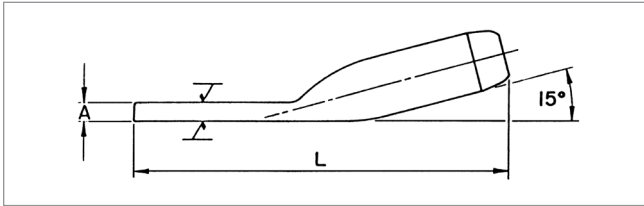
1. Pad Dimensions are on page 257.
2. Installation Instructions for Terminals are on page 272.
3. Bolts, nuts and washers are not supplied with TS Series Terminal Connectors.
4. For more information on die selection and ordering instructions, see Tools and Equipment tab in this catalog.

Quick Compress Terminal for AAC Conductor, Straight, TS Series (cont.)

AAC ACCESSORIES

CATALOG NUMBER	CONDUCTOR				DIE SIZE	TOTAL WEIGHT		DIMENSION				PAD SIZE
	CODE WORD	SIZE	STRANDING	DIAMETER		LBS	KG	A		L		
		KCMIL	AL	IN				IN	MM	IN	MM	
TS07	Peony	300.0	19	0.629	07CD	0.5	0.20	0.3	8	9.0	229	B
TS07	Tulip	336.4	19	0.666	07CD	0.5	0.20	0.3	8	9.0	229	B
TS07	Daffodil	350.0	19	0.679	07CD	0.5	0.20	0.3	8	9.0	229	B
TS08	Canna	397.5	19	0.724	08CD	0.6	0.28	0.4	10	9.6	244	B
TS09	Goldentuft	450.0	19	0.770	09CD	0.8	0.38	0.4	11	10.0	254	B
TS09	Cosmos	477.0	19	0.793	09CD	0.8	0.38	0.4	11	10.0	254	B
TS09	Zinnia	500.0	19	0.811	09CD	0.8	0.38	0.4	11	10.0	254	B
TS10	Dahlia	556.5	19	0.856	10CD	1.1	0.50	0.5	12	10.6	269	B
TS10	Meadowsweet	600.0	37	0.891	10CD	1.1	0.50	0.5	12	10.6	269	B
TS10	Orchid	636.0	37	0.918	10CD	1.1	0.50	0.5	12	10.6	269	B
TS10	Heuchera	650.0	37	0.928	10CD	1.1	0.50	0.5	12	10.6	269	B
TS11	Verbena	700.0	37	0.963	11CD	1.5	0.68	0.4	9	11.7	297	D
TS11	Violet	715.5	37	0.974	11CD	1.5	0.68	0.4	9	11.7	297	D
TS11	Petunia	750.0	37	0.997	11CD	1.5	0.68	0.4	9	11.7	297	D
TS11	Arbutus	795.0	37	1.026	11CD	1.5	0.68	0.4	9	11.7	297	D
TS11	—	800.0	61	1.031	11CD	1.5	0.68	0.4	9	11.7	297	D
TS12	Cockscomb	900.0	37	1.092	12CD	1.8	0.82	0.4	11	12.1	307	D
TS12	Magnolia	954.0	37	1.124	12CD	1.8	0.82	0.4	11	12.1	307	D
TS13	Hawkweed	1000.0	37	1.151	13CD	2.1	0.95	0.5	13	12.8	325	D
TS13	Bluebell	1033.5	37	1.170	13CD	2.1	0.95	0.5	13	12.8	325	D
TS13	Marigold	1113.0	61	1.216	13CD	2.1	0.95	0.5	13	12.8	325	D
TS14	Hawthorn	1192.5	61	1.258	14CD	2.7	1.22	0.6	16	13.8	351	D
TS14	—	1250.0	91	1.289	14CD	2.7	1.22	0.6	16	13.8	351	D
TS14	Narcissus	1272.0	61	1.300	14CD	2.7	1.22	0.6	16	13.8	351	D
TS14	—	1300.0	91	1.315	14CD	2.7	1.22	0.6	16	13.8	351	D
TS15	Columbine	1351.5	61	1.340	15CD	3.3	1.50	0.7	17	14.3	363	D
TS15	Carnation	1431.0	61	1.379	15CD	3.3	1.50	0.7	17	14.3	363	D
TS15	—	1500.0	91	1.412	15CD	3.3	1.50	0.7	17	14.3	363	D
TS15	Gladiolus	1510.5	61	1.417	15CD	3.3	1.50	0.7	17	14.3	363	D
TS16	Coreopsis	1590.0	61	1.454	16CD	3.8	1.72	0.7	17	14.6	371	D
TS17	Jessamine	1750.0	61	1.525	17CD	0.5	2.13	0.7	17	16.3	414	E
TS18	Cowslip	2000.0	91	1.630	18CD	5.5	2.49	0.7	19	16.8	427	E
TS19	Sagebrush	2250.0	91	1.729	19CD	6.5	2.95	0.9	22	17.5	445	E
TS19	—	2300.0	91	1.750	19CD	6.5	2.95	0.9	22	17.5	445	E
TS20	Lupine	2500.0	91	1.823	20CD	7.3	3.31	0.9	22	12.9	455	E

Quick Compress Terminal for AAC Conductor, 15°, TF Series



The TF Series 15° Terminal Connector is designed for fast and easy installation. By using a high strength alloy, the compression length has been shortened for less compression bites. The terminal connector is pre-filled, eliminating an installation step.

When used with the Quick Compress dead end, the TF Series connectors can be bolted in either straight or 30° position. All TF Series connectors are designed for limited tension use, maintaining a minimum of 40% of the ASTM rated strength of the conductor.

The end tapers of all compression accessories are supplied with a High Voltage finish for die size sections 12CD and above.

The square edges of bolted pads of the compression accessories could cause Corona. Pads with edges and corners rounded can be supplied by adding the catalog suffix 'EHV'.

Ordering Instructions

Step 1: Catalog Number

Determine the catalog number based on the conductor being used.

Step 2: Extra High Voltage Finish

For Extra High Voltage Finish, use 'EHV'. (≥ 345 kV)

For Standard Finish, leave blank. (< 345 kV)

Step 3: Assemble Catalog Number.



Example:

A 15° terminal for 795 Arbutus with an B pad and EHV finish, the complete catalog number is:

TF11EHV

Notes:

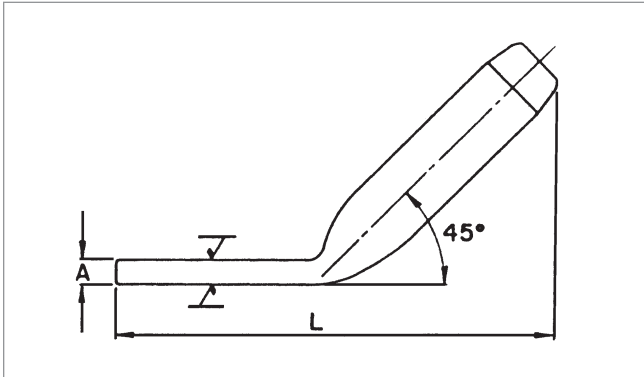
1. Pad Dimensions are on page 257.
2. Installation Instructions for Terminals are on page 272.
3. Bolts, nuts and washers are supplied with TF Series Terminal Connectors.
4. For more information on die selection and ordering instructions, see Tools and Equipment tab in this catalog.

Quick Compress Terminal for AAC Conductor, 15°, TF Series (cont.)

AAC ACCESSORIES

CATALOG NUMBER	CODE WORD	CONDUCTOR			DIE SIZE	TOTAL WEIGHT		DIMENSIONS				PAD SIZE
		SIZE	STRANDING	DIAMETER		LBS	KG	A		L		
								KCMIL	AL/ST	IN	IN	
TF07	Peony	300.6	19	0.629	07CD	0.5	0.24	0.3	8	7.8	196	B
TF07	Tulip	336.4	19	0.666	07CD	0.5	0.24	0.3	8	7.8	196	B
TF07	Daffodil	350.0	19	0.679	07CD	0.5	0.24	0.3	8	7.8	196	B
TF08	Canna	397.5	19	0.724	08CD	0.7	0.31	0.4	10	8.3	211	B
TF09	Goldentuft	450.0	19	0.770	09CD	0.9	0.40	0.4	11	8.9	226	B
TF09	Cosmos	477.0	19	0.793	09CD	0.9	0.40	0.4	11	8.9	226	B
TF09	Zinnia	500.0	19	0.811	09CD	0.9	0.40	0.4	11	8.9	226	B
TF10	Dahlia	556.5	19	0.856	10CD	1.1	0.50	0.5	12	9.4	239	B
TF10	Meadowsweet	600.0	37	0.891	10CD	1.1	0.50	0.5	12	9.4	239	B
TF10	Orchid	636.0	37	0.918	10CD	1.1	0.50	0.5	12	9.4	239	B
TF10	Heuchera	650.0	37	0.928	10CD	1.1	0.50	0.5	12	9.4	239	B
TF11	Verbena	700.0	37	0.963	11CD	1.5	0.68	0.4	9	10.4	264	D
TF11	Violet	715.5	37	0.974	11CD	1.5	0.68	0.4	9	10.4	264	D
TF11	Petunia	750.0	37	0.997	11CD	1.5	0.68	0.4	9	10.4	264	D
TF11	Arbutus	795.0	37	1.026	11CD	1.5	0.68	0.4	9	10.4	264	D
TF11	—	800.0	61	1.031	11CD	1.5	0.68	0.4	9	10.4	264	D
TF12	Cockscomb	900.0	37	1.092	12CD	1.9	0.86	0.4	11	11.0	279	D
TF12	Magnolia	954.0	37	1.124	12CD	1.9	0.86	0.4	11	11.0	279	D
TF13	Hawkweed	1000.0	37	1.151	13CD	2.2	1.00	0.5	13	11.2	284	D
TF13	Bluebell	1033.5	37	1.170	13CD	2.2	1.00	0.5	13	11.2	284	D
TF13	Marigold	1113.0	61	1.216	13CD	2.2	1.00	0.5	13	11.2	284	D
TF14	Hawthorn	1192.5	61	1.258	14CD	2.8	1.27	0.6	16	12.0	305	D
TF14	—	1250.0	91	1.289	14CD	2.8	1.27	0.6	16	12.0	305	D
TF14	Narcissus	1272.0	61	1.300	14CD	2.8	1.27	0.6	16	12.0	305	D
TF14	—	1300.0	91	1.315	14CD	2.8	1.27	0.6	16	12.0	305	D
TF15	Columbine	1351.5	61	1.340	15CD	3.2	1.45	0.7	17	12.5	318	D
TF15	Carnation	1431.0	61	1.379	15CD	3.2	1.45	0.7	17	12.5	318	D
TF15	—	1500.0	91	1.412	15CD	3.2	1.45	0.7	17	12.5	318	D
TF15	Gladiolus	1510.5	61	1.417	15CD	3.2	1.45	0.7	17	12.5	318	D
TF16	Coreopsis	1590.0	61	1.454	16CD	3.7	1.69	0.9	17	13.3	338	D
TF17	Jessamine	1750.0	61	1.525	17CD	4.6	2.09	0.7	17	14.4	366	E
TF18	Cowslip	2000.0	91	1.630	18CD	5.2	2.36	0.7	19	15.0	381	E
TF19	Sagebrush	2250.0	91	1.729	19CD	6.3	2.86	0.9	22	15.7	399	E
TF19	—	2300.0	91	1.750	19CD	6.3	2.86	0.9	22	15.7	399	E
TF20	Lupine	2500.0	91	1.823	20CD	6.8	3.08	0.9	22	16.0	406	E

Quick Compress Terminal for AAC Conductor, 45°, T45 Series



The T45 Series 45° Terminal Connector is designed for fast and easy installation. By using a high strength alloy, the compression length has been shortened for less compression bites. The terminal connector is pre-filled, eliminating an installation step.

All T45 Series connectors are designed for limited tension use, maintaining a minimum of 40% of the ASTM rated strength of the conductor.

The end tapers of all compression accessories are supplied with a High Voltage finish for die size sections 12CD and above.

The square edges of bolted pads of the compression accessories could cause Corona. Pads with edges and corners rounded can be supplied by adding the catalog suffix 'EHV'.

Ordering Instructions

Step 1: Catalog Number

Determine the catalog number based on the conductor being used.

Step 2: Extra High Voltage Finish

For Extra High Voltage Finish, use 'EHV'. (≥ 345 kV)

For Standard Finish, leave blank. (< 345 kV)

Step 3: Assemble Catalog Number.



Example:

A 45° terminal for 795 Arbutus with an B pad and EHV finish, the complete catalog number is:

T4511EHV

Notes:

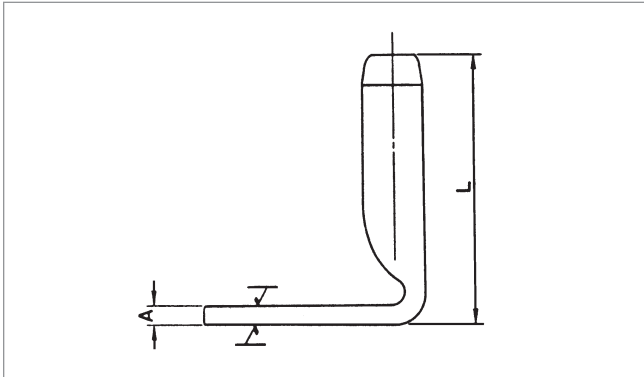
1. Pad Dimensions are on page 257.
2. Installation Instructions for Terminals are on page 272.
3. Bolts, nuts and washers are not supplied with T45 Series Terminal Connectors.
4. For more information on die selection and ordering instructions, see Tools and Equipment tab in this catalog.

Quick Compress Terminal for AAC Conductor, 45°, T45 Series (cont.)

**AAC
ACCESSORIES**

CATALOG NUMBER	CONDUCTOR				DIE SIZE	TOTAL WEIGHT		DIMENSIONS				PAD SIZE
	CODE WORD	SIZE	STRANDING	DIAMETER		LBS	KG	A		L		
		KCMIL	AL/ST	IN				IN	MM	IN	MM	
T4507	Peony	300.6	19	0.629	07CD	0.4	0.19	0.3	8	7.3	185	B
T4507	Tulip	336.4	19	0.666	07CD	0.4	0.19	0.3	8	7.3	185	B
T4507	Daffodil	350.0	19	0.679	07CD	0.4	0.19	0.3	8	7.3	185	B
T4508	Canna	397.5	19	0.724	08CD	0.6	0.25	0.4	10	7.8	198	B
T4509	Goldentuft	450.0	19	0.770	09CD	0.8	0.34	0.4	11	8.2	208	B
T4509	Cosmos	477.0	19	0.793	09CD	0.8	0.34	0.4	11	8.2	208	B
T4509	Zinnia	500.0	19	0.811	09CD	0.8	0.34	0.4	11	8.2	208	B
T4510	Dahlia	556.5	19	0.856	10CD	1.0	0.45	0.5	12	8.6	218	B
T4510	Meadowsweet	600.0	37	0.891	10CD	1.0	0.45	0.5	12	8.6	218	B
T4510	Orchid	636.0	37	0.918	10CD	1.0	0.45	0.5	12	8.6	218	B
T4510	Heuchera	650.0	37	0.928	10CD	1.0	0.45	0.5	12	8.6	218	B
T4511	Verbena	700.0	37	0.963	11CD	1.3	0.59	0.4	9	9.4	239	D
T4511	Violet	715.5	37	0.974	11CD	1.3	0.59	0.4	9	9.4	239	D
T4511	Petunia	750.0	37	0.997	11CD	1.3	0.59	0.4	9	9.4	239	D
T4511	Arbutus	795.0	37	1.026	11CD	1.3	0.59	0.4	9	9.4	239	D
T4511	—	800.0	61	1.031	11CD	1.3	0.59	0.4	9	9.4	239	D
T4512	Cockscomb	900.0	37	1.092	12CD	1.6	0.73	0.4	11	9.7	246	D
T4512	Magnolia	954.0	37	1.124	12CD	1.6	0.73	0.4	11	9.7	246	D
T4513	Hawkweed	1000.0	37	1.151	13CD	2.0	0.91	0.5	13	10.2	259	D
T4513	Bluebell	1033.5	37	1.170	13CD	2.0	0.91	0.5	13	10.2	259	D
T4513	Marigold	1113.0	61	1.216	13CD	2.0	0.91	0.5	13	10.2	259	D
T4514	Hawthorn	1192.5	61	1.258	14CD	2.3	1.04	0.6	16	10.6	269	D
T4514	—	1250.0	91	1.289	14CD	2.3	1.04	0.6	16	10.6	269	D
T4514	Narcissus	1272.0	61	1.300	14CD	2.3	1.04	0.6	16	10.6	269	D
T4514	—	1300.0	91	1.315	14CD	2.3	1.04	0.6	16	10.6	269	D
T4515	Columbine	1351.5	61	1.340	15CD	2.8	1.27	0.7	17	11.8	300	D
T4515	Carnation	1431.0	61	1.379	15CD	2.8	1.27	0.7	17	11.8	300	D
T4515	—	1500.0	91	1.412	15CD	2.8	1.27	0.7	17	11.8	300	D
T4515	Gladiolus	1510.5	61	1.417	15CD	2.8	1.27	0.7	17	11.8	300	D
T4516	Coreopsis	1590.0	61	1.454	16CD	3.4	1.54	0.7	17	11.0	279	D
T4517	Jessamine	1750.0	61	1.525	17CD	4.2	1.91	0.7	17	12.6	320	E
T4518	Cowslip	2000.0	91	1.630	18CD	4.9	2.22	0.7	19	13.0	330	E
T4519	Sagebrush	2250.0	91	1.729	19CD	5.7	2.59	0.9	22	13.7	348	E
T4519	—	2300.0	91	1.750	19CD	5.7	2.59	0.9	22	13.7	348	E
T4520	Lupine	2500.0	91	1.823	20CD	6.5	2.95	0.9	22	14.2	361	E

Quick Compress Terminal for AAC Conductor, 90°, TN Series



The TN Series 90° Terminal Connector is designed for fast and easy installation. By using a high strength alloy, the compression length has been shortened for less compression bites. The terminal connector is pre-filled, eliminating an installation step.

All TN Series connectors are designed for limited tension use, maintaining a minimum of 40% of the ASTM rated strength of the conductor.

The end tapers of all compression accessories are supplied with a High Voltage finish for die size sections 12CD and above.

The square edges of bolted pads of the compression accessories could cause Corona. Pads with edges and corners rounded can be supplied by adding the catalog suffix 'EHV'.

Ordering Instructions

Step 1: Catalog Number

Determine the catalog number based on the conductor being used.

Step 2: Extra High Voltage Finish

For Extra High Voltage Finish, use 'EHV'. (≥ 345 kV)

For Standard Finish, leave blank. (< 345 kV)

Step 3: Assemble Catalog Number.



Example:

A 90° terminal for 795 Arbutus with an B pad and EHV finish, the complete catalog number is:

TN11EHV

Notes:

1. Pad Dimensions are on page 257.
2. Installation Instructions for Terminals are on page 272.
3. Bolts, nuts and washers are not supplied with TN Series Terminal Connectors.
4. For more information on die selection and ordering instructions, see Tools and Equipment tab in this catalog.

Quick Compress Terminal for AAC Conductor, 90°, TN Series (cont.)

**AAC
ACCESSORIES**

CATALOG NUMBER	CONDUCTOR				DIE SIZE	TOTAL WEIGHT		DIMENSIONS				PAD SIZE
	CODE WORD	SIZE	STRANDING	DIAMETER		LBS	KG	A		L		
		KCMIL	AL	IN				IN	MM	IN	MM	
TN07	Peony	300.6	19	0.629	07CD	0.5	0.20	0.3	8	5.2	132	B
TN07	Tulip	336.4	19	0.666	07CD	0.5	0.20	0.3	8	5.2	132	B
TN07	Daffodil	350.0	19	0.679	07CD	0.5	0.20	0.3	8	5.2	132	B
TN08	Canna	397.5	19	0.724	08CD	0.6	0.29	0.4	10	5.7	145	B
TN09	Goldentuft	450.0	19	0.770	09CD	0.8	0.38	0.4	11	6.2	157	B
TN09	Cosmos	477.0	19	0.793	09CD	0.8	0.38	0.4	11	6.2	157	B
TN09	Zinnia	500.0	19	0.811	09CD	0.8	0.38	0.4	11	6.2	157	B
TN10	Dahlia	556.5	19	0.856	10CD	1.1	0.50	0.5	12	6.7	170	B
TN10	Meadowsweet	600.0	37	0.891	10CD	1.1	0.50	0.5	12	6.7	170	B
TN10	Orchid	636.0	37	0.918	10CD	1.1	0.50	0.5	12	6.7	170	B
TN10	Heuchera	650.0	37	0.928	10CD	1.1	0.50	0.5	12	6.7	170	B
TN11	Verbena	700.0	37	0.963	11CD	1.4	0.64	0.4	9	7.5	191	D
TN11	Violet	715.5	37	0.974	11CD	1.4	0.64	0.4	9	7.5	191	D
TN11	Petunia	750.0	37	0.997	11CD	1.4	0.64	0.4	9	7.5	191	D
TN11	Arbutus	795.0	37	1.026	11CD	1.4	0.64	0.4	9	7.5	191	D
TN11	—	800.0	61	1.031	11CD	1.4	0.64	0.4	9	7.5	191	D
TN12	Cockscomb	900.0	37	1.092	12CD	1.8	0.82	0.4	11	7.9	202	D
TN12	Magnolia	954.0	37	1.124	12CD	1.8	0.82	0.4	11	7.9	202	D
TN13	Hawkweed	1000.0	37	1.151	13CD	2.2	1.00	0.5	13	8.5	216	D
TN13	Bluebell	1033.5	37	1.170	13CD	2.2	1.00	0.5	13	8.5	216	D
TN13	Marigold	1113.0	61	1.216	13CD	2.2	1.00	0.5	13	8.5	216	D
TN14	Hawthorn	1192.5	61	1.258	14CD	2.6	1.18	0.6	16	9.2	233	D
TN14	—	1250.0	91	1.289	14CD	2.6	1.18	0.6	16	9.2	233	D
TN14	Narcissus	1272.0	61	1.300	14CD	2.6	1.18	0.6	16	9.2	233	D
TN14	—	1300.0	91	1.315	14CD	2.6	1.18	0.6	16	9.2	233	D
TN15	Columbine	1351.5	61	1.340	15CD	3.1	1.41	0.7	17	9.8	248	D
TN15	Carnation	1431.0	61	1.379	15CD	3.1	1.41	0.7	17	9.8	248	D
TN15	—	1500.0	91	1.412	15CD	3.1	1.41	0.7	17	9.8	248	D
TN15	Gladiolus	1510.5	61	1.417	15CD	3.1	1.41	0.7	17	9.8	248	D
TN16	Coreopsis	1590.0	61	1.454	16CD	3.7	1.68	0.7	17	10.2	259	D
TN17	Jessamine	1750.0	61	1.525	17CD	4.6	2.09	0.7	17	11.2	264	E
TN18	Cowslip	2000.0	91	1.630	18CD	5.3	2.40	0.7	19	11.4	289	E
TN19	Sagebrush	2250.0	91	1.729	19CD	6.1	2.77	0.9	22	11.9	303	E
TN19	—	2300.0	91	1.750	19CD	6.1	2.77	0.9	22	11.9	303	E
TN20	Lupine	2500.0	91	1.823	20CD	6.9	3.13	0.9	22	12.6	321	E