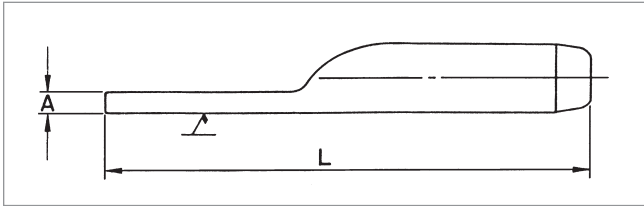


Quick Compress Terminal for ACSR Conductor, Straight, TS Series



The TS Series Straight Terminal Connector is designed for fast and easy installation. By using a high strength alloy, the compression length has been shortened for less compression bites. The terminal connector is pre-filled, eliminating an installation step.

All TS Series connectors are designed for limited tension use, maintaining a minimum of 40% of the ASTM rated strength of the conductor.

The end tapers of all compression accessories are supplied with a High Voltage finish for die size sections 12CD and above.

The square edges of bolted pads of the compression accessories could cause Corona. Pads with edges and corners rounded can be supplied by adding the catalog suffix 'EHV'.

Ordering Instructions

Step 1: Catalog Number

Determine the catalog number based on the conductor being used.

Step 2: Extra High Voltage Finish

For Extra High Voltage Finish, use 'EHV'. (≥ 345 kV)

For Standard Finish, leave blank. (< 345 kV)

Step 3: Assemble Catalog Number.



Example:

A straight terminal for 795 Drake with an EHV finish, the complete catalog number is:

TS12EHV

Notes:

1. Pad Dimensions are on page 257.
2. Installation Instructions for Terminals are on page 272.
3. Bolts, nuts and washers are not supplied with TS Series Terminal Connectors.
4. For more information on die selection and ordering instructions, see Tools and Equipment tab in this catalog.

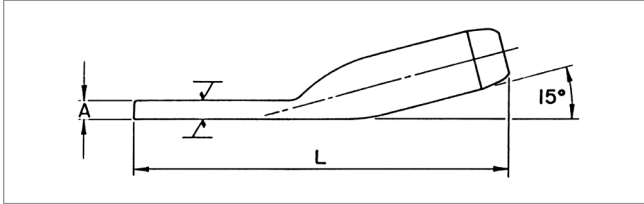
Quick Compress Terminal for ACSR Conductor, Straight, TS Series (cont.)

CATALOG NUMBER	CONDUCTOR				DIE SIZE	TOTAL WEIGHT		DIMENSIONS				PAD SIZE
	CODE WORD	SIZE	STRANDING	DIAMETER		LBS	KG	A		L		
		KCMIL	AL/ST	IN				IN	MM	IN	MM	
TS07	Owl	266.8	6/7	0.633	07CD	0.5	0.20	0.3	8	9.0	229	B
TS07	Waxwing	266.8	18/1	0.609	07CD	0.5	0.20	0.3	8	9.0	229	B
TS07	Partridge	266.8	26/7	0.642	07CD	0.5	0.20	0.3	8	9.0	229	B
TS08	Ostrich	300.0	26/7	0.680	08CD	0.6	0.28	0.4	10	9.6	244	B
TS08	Merlin	336.4	18/1	0.684	08CD	0.6	0.28	0.4	10	9.6	244	B
TS08	Linnet	336.4	26/7	0.720	08CD	0.6	0.28	0.4	10	9.6	244	B
TS09	Oriole	336.4	30/7	0.741	09CD	0.8	0.38	0.4	11	10.0	254	B
TS08	Chickadee	397.5	18/1	0.743	08CD	0.6	0.28	0.4	10	9.6	244	B
TS09	Brant	397.5	24/7	0.772	09CD	0.8	0.38	0.4	11	10.0	254	B
TS09	Ibis	397.5	26/7	0.783	09CD	0.8	0.38	0.4	11	10.0	254	B
TS10	Lark	397.5	30/7	0.806	10CD	1.1	0.50	0.5	12	10.6	269	B
TS09	Pelican	477.0	18/1	0.814	09CD	0.8	0.38	0.4	11	10.0	254	B
TS09	Flicker	477.0	24/7	0.846	09CD	0.8	0.38	0.4	11	10.0	254	B
TS10	Hawk	477.0	26/7	0.858	10CD	1.1	0.50	0.5	12	10.6	269	B
TS11	Hen	477.0	30/7	0.883	11CD	1.5	0.68	0.4	9	11.7	297	D
TS10	Osprey	556.5	18/1	0.879	10CD	1.1	0.50	0.5	12	10.6	269	B
TS10	Parakeet	556.5	24/7	0.914	10CD	1.1	0.50	0.5	12	10.6	269	B
TS10	Dove	556.5	26/7	0.927	10CD	1.1	0.50	0.5	12	10.6	269	B
TS11	Eagle	556.5	30/7	0.953	11CD	1.5	0.68	0.4	9	11.7	297	D
TS11	Peacock	605.0	24/7	0.953	11CD	1.5	0.68	0.4	9	11.7	297	D
TS11	Squab	605.0	26/7	0.966	11CD	1.5	0.68	0.4	9	11.7	297	D
TS12	Teal	605.0	30/19	0.994	12CD	1.8	0.82	0.4	11	12.1	307	D
TS10	Kingbird	636.0	18/1	0.940	10CD	1.1	0.50	0.5	12	10.6	269	B
TS11	Root	636.0	24/7	0.977	11CD	1.5	0.68	0.4	9	11.7	297	D
TS11	Grosbeak	636.0	26/7	0.990	11CD	1.5	0.68	0.4	9	11.7	297	D
TS12	Egret	636.0	30/19	1.019	12CD	1.8	0.82	0.4	11	12.1	307	D
TS10	Swift	636.0	36/1	0.930	10CD	1.1	0.50	0.5	12	10.6	269	B
TS11	Flamingo	666.6	24/7	1.000	11CD	1.5	0.68	0.4	9	11.7	297	D
TS11	Stilt	715.5	24/7	1.036	11CD	1.5	0.68	0.4	9	11.7	297	D
TS12	Starling	715.5	26/7	1.051	12CD	1.8	0.82	0.4	11	12.1	307	D
TS13	Redwing	715.5	30/19	1.081	13CD	2.1	0.95	0.5	13	12.8	325	D
TS12	Cuckoo	795.0	24/7	1.092	12CD	1.8	0.82	0.4	11	12.1	307	D
TS12	Drake	795.0	26/7	1.108	12CD	1.8	0.82	0.4	11	12.1	307	D
TS14	Mallard	795.0	30/19	1.140	14CD	2.7	1.22	0.6	16	13.8	351	D
TS11	Coot	795.0	36/1	1.040	11CD	1.5	0.68	0.4	9	11.7	297	D
TS12	Tern	795.0	45/7	1.063	12CD	1.8	0.82	0.4	11	12.1	307	D
TS12	Condor	795.0	54/7	1.093	12CD	1.8	0.82	0.4	11	12.1	307	D
TS12	Ruddy	900.0	45/7	1.131	12CD	1.8	0.82	0.4	11	12.1	307	D

Quick Compress Terminal for ACSR Conductor, Straight, TS Series (cont.)

CATALOG NUMBER	CONDUCTOR				DIE SIZE	TOTAL WEIGHT		DIMENSIONS				PAD SIZE
	CODE WORD	SIZE	STRANDING	DIAMETER		LBS	KG	A		L		
		KCMIL	AL/ST	IN				IN	MM	IN	MM	
TS13	Canary	900.0	54/7	1.162	13CD	2.1	0.95	0.5	13	12.8	325	D
TS12	Catbird	954.0	36/1	1.140	12CD	1.8	0.82	0.4	11	12.1	307	D
TS13	Rail	954.0	45/7	1.165	13CD	2.1	0.95	0.5	13	12.8	325	D
TS13	Cardinal	954.0	54/7	1.196	13CD	2.1	0.95	0.5	13	12.8	325	D
TS13	Tanger	1033.5	36/1	1.186	13CD	2.1	0.95	0.5	13	12.8	325	D
TS13	Ortolan	1033.5	45/7	1.212	13CD	2.1	0.95	0.5	13	12.8	325	D
TS14	Curlew	1033.5	54/7	1.244	14CD	2.7	1.22	0.6	16	13.8	351	D
TS14	Bluejay	1113.0	45/7	1.259	14CD	2.7	1.22	0.6	16	13.8	351	D
TS14	Finch	1113.0	54/19	1.293	14CD	2.7	1.22	0.6	16	13.8	351	D
TS14	Bunting	1192.5	45/7	1.302	14CD	2.7	1.22	0.6	16	13.8	351	D
TS15	Grackle	1192.5	54/19	1.333	15CD	3.3	1.50	0.7	17	14.3	363	D
TS15	Bittern	1272.0	45/7	1.345	15CD	3.3	1.50	0.7	17	14.3	363	D
TS15	Pheasant	1272.0	54/19	1.382	15CD	3.3	1.50	0.7	17	14.3	363	D
TS15	Dipper	1351.5	45/7	1.385	15CD	3.3	1.50	0.7	17	14.3	363	D
TS15	Martin	1351.5	54/19	1.424	15CD	3.3	1.50	0.7	17	14.3	363	D
TS16	Bobolink	1431.0	45/7	1.427	16CD	3.8	1.72	0.7	17	14.6	371	D
TS16	Plover	1431.0	54/19	1.465	16CD	3.8	1.72	0.7	17	14.6	371	D
TS16	Nuthatch	1510.5	45/7	1.466	16CD	3.8	1.72	0.7	17	14.6	371	D
TS16	Parrot	1510.5	54/19	1.506	16CD	3.8	1.72	0.7	17	14.6	371	D
TS16	Lapwing	1590.0	45/7	1.504	16CD	3.8	1.72	0.7	17	14.6	371	D
TS17	Falcon	1590.0	54/19	1.545	17CD	4.7	2.13	0.7	17	16.3	414	E
TS17	Chukar	1780.0	84/19	1.602	17CD	4.7	2.13	0.7	17	16.3	414	E
TS18	—	2034.0	72/7	1.681	18CD	5.5	2.49	0.7	19	16.8	427	E
TS19	Bluebird	2156.0	84/19	1.762	19CD	6.5	2.95	0.9	22	17.5	445	E
TS19	Kiwi	2167.0	72/7	1.737	19CD	6.5	2.95	0.9	22	17.5	445	E
TS19	Thrasher	2312.0	76/19	1.802	19CD	6.5	2.95	0.9	22	17.5	445	E
TS20	Joree	2515.0	76/19	1.880	20CD	7.3	3.31	0.9	22	17.9	455	E

Quick Compress Terminal for ACSR Conductor, 15°, TF Series



The TF Series 15° Terminal Connector is designed for fast and easy installation. By using a high strength alloy, the compression length has been shortened for less compression bites. The terminal connector is pre-filled, eliminating an installation step.

When used with the Quick Compress dead end, the TF Series connectors can be bolted in either straight or 30° position. All TF Series connectors are designed for limited tension use, maintaining a minimum of 40% of the ASTM rated strength of the conductor.

The end tapers of all compression accessories are supplied with a High Voltage finish for die size sections 12CD and above.

The square edges of bolted pads of the compression accessories could cause Corona. Pads with edges and corners rounded can be supplied by adding the catalog suffix 'EHV'.

Ordering Instructions

Step 1: Catalog Number

Determine the catalog number based on the conductor being used.

Step 2: Extra High Voltage Finish

For Extra High Voltage Finish, use 'EHV'. (≥ 345 kV)

For Standard Finish, leave blank. (< 345 kV)

Step 3: Assemble Catalog Number.



Example:

A 15° terminal for 795 Drake with an EHV finish, the complete catalog number is:

TF12EHV

Notes:

1. Pad Dimensions are on page 257.
2. Installation Instructions for Terminals are on page 272.
3. Bolts, nuts and washers are supplied with TF Series Terminal Connectors.
4. For more information on die selection and ordering instructions, see Tools and Equipment tab in this catalog.

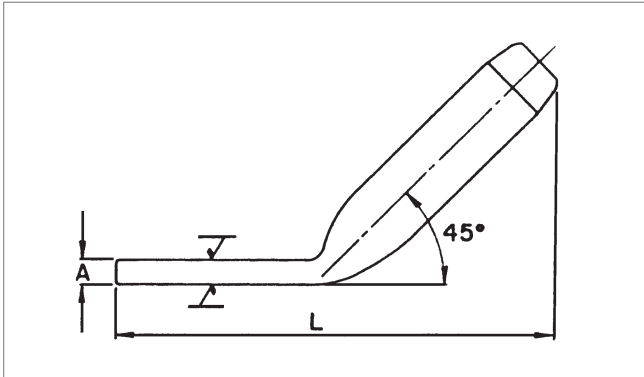
Quick Compress Terminal for ACSR Conductor, 15°, TF Series (cont.)

CATALOG NUMBER	CONDUCTOR				DIE SIZE	TOTAL WEIGHT		DIMENSIONS				PAD SIZE
	CODE WORD	SIZE	STRANDING	DIAMETER		LBS	KG	A		L		
		KCMIL	AL/ST	IN				IN	MM	IN	MM	
TF07	Owl	266.8	6/7	0.633	07CD	0.5	0.24	0.3	8	7.8	196	B
TF07	Waxwing	266.8	18/1	0.609	07CD	0.5	0.24	0.3	8	7.8	196	B
TF07	Partridge	266.8	26/7	0.642	07CD	0.5	0.24	0.3	8	7.8	196	B
TF08	Ostrich	300	26/7	0.680	08CD	0.7	0.31	0.4	10	8.3	211	B
TF08	Merlin	336.4	18/1	0.684	08CD	0.7	0.31	0.4	10	8.3	211	B
TF08	Linnet	336.4	26/7	0.720	08CD	0.7	0.31	0.4	10	8.3	211	B
TF09	Oriole	336.4	30/7	0.741	09CD	0.9	0.40	0.4	11	8.9	226	B
TF08	Chickadee	397.5	18/1	0.743	08CD	0.7	0.31	0.4	10	8.3	211	B
TF09	Brant	397.5	24/7	0.772	09CD	0.9	0.40	0.4	11	8.9	226	B
TF09	Ibis	397.5	26/7	0.783	09CD	0.9	0.40	0.4	11	8.9	226	B
TF10	Lark	397.5	30/7	0.806	10CD	1.1	0.50	0.5	12	9.4	239	B
TF09	Pelican	477	18/1	0.814	09CD	0.9	0.40	0.4	11	8.9	226	B
TF09	Flicker	477	24/7	0.846	09CD	0.9	0.40	0.4	11	8.9	226	B
TF10	Hawk	477	26/7	0.858	10CD	1.1	0.50	0.5	12	9.4	239	B
TF11	Hen	477	30/7	0.883	11CD	1.5	0.68	0.4	9	10.4	264	D
TF10	Osprey	556.5	18/1	0.879	10CD	1.1	0.50	0.5	12	9.4	239	B
TF10	Parakeet	556.5	24/7	0.914	10CD	1.1	0.50	0.5	12	9.4	239	B
TF10	Dove	556.5	26/7	0.927	10CD	1.1	0.50	0.5	12	9.4	239	B
TF11	Eagle	556.5	30/7	0.953	11CD	1.5	0.68	0.4	9	10.4	264	D
TF11	Peacock	605	24/7	0.953	11CD	1.5	0.68	0.4	9	10.4	264	D
TF11	Squab	605	26/7	0.966	11CD	1.5	0.68	0.4	9	10.4	264	D
TF12	Teal	605	30/19	0.994	12CD	1.9	0.86	0.4	11	11.0	279	D
TF10	Kingbird	636	18/1	0.940	10CD	1.1	0.50	0.5	12	9.4	239	B
TF11	Root	636	24/7	0.977	11CD	1.5	0.68	0.4	9	10.4	264	D
TF11	Grosbeak	636	26/7	0.990	11CD	1.5	0.68	0.4	9	10.4	264	D
TF12	Egret	636	30/19	1.019	12CD	1.9	0.86	0.4	11	11.0	279	D
TF10	Swift	636	36/1	0.930	10CD	1.1	0.50	0.5	12	9.4	239	B
TF11	Flamingo	666.6	24/7	1.000	11CD	1.5	0.68	0.4	9	10.4	264	D
TF11	Stilt	715.5	24/7	1.036	11CD	1.5	0.68	0.4	9	10.4	264	D
TF12	Starling	715.5	26/7	1.051	12CD	1.9	0.86	0.4	11	11.0	279	D
TF13	Redwing	715.5	30/19	1.081	13CD	2.2	1.00	0.5	13	11.2	284	D
TF12	Cuckoo	795	24/7	1.092	12CD	1.9	0.86	0.4	11	11.0	279	D
TF12	Drake	795	26/7	1.108	12CD	1.9	0.86	0.4	11	11.0	279	D
TF14	Mallard	795	30/19	1.140	14CD	2.8	1.27	0.6	16	12.0	305	D
TF11	Coot	795	36/1	1.040	11CD	1.5	0.68	0.4	9	10.4	264	D
TF12	Tern	795	45/7	1.063	12CD	1.9	0.86	0.4	11	11.0	279	D

Quick Compress Terminal for ACSR Conductor, 15°, TF Series (cont.)

CATALOG NUMBER	CONDUCTOR				DIE SIZE	TOTAL WEIGHT		DIMENSIONS				PAD SIZE
	CODE WORD	SIZE	STRANDING	DIAMETER				A		L		
		KCMIL	AL/ST	IN		IN	MM	IN	MM			
TF12	Condor	795	54/7	1.093	12CD	1.9	0.86	0.4	11	11.0	279	D
TF12	Ruddy	900	45/7	1.131	12CD	1.9	0.86	0.4	11	11.0	279	D
TF13	Canary	900	54/7	1.162	13CD	2.2	1.00	0.5	13	11.2	284	D
TF12	Catbird	954	36/1	1.140	12CD	1.9	0.86	0.4	11	11.0	279	D
TF13	Rail	954	45/7	1.165	13CD	2.2	1.00	0.5	13	11.2	284	D
TF13	Cardinal	954	54/7	1.196	13CD	2.2	1.00	0.5	13	11.2	284	D
TF13	Tanger	1033.5	36/1	1.186	13CD	2.2	1.00	0.5	13	11.2	284	D
TF13	Ortolan	1033.5	45/7	1.212	13CD	2.2	1.00	0.5	13	11.2	284	D
TF14	Curlew	1033.5	54/7	1.244	14CD	2.8	1.27	0.6	16	12.0	305	D
TF14	Bluejay	1113	45/7	1.259	14CD	2.8	1.27	0.6	16	12.0	305	D
TF14	Finch	1113	54/19	1.293	14CD	2.8	1.27	0.6	16	12.0	305	D
TF14	Bunting	1192.5	45/7	1.302	14CD	2.8	1.27	0.6	16	12.0	305	D
TF15	Grackle	1192.5	54/19	1.333	15CD	3.2	1.45	0.7	17	12.5	318	D
TF15	Bittern	1272	45/7	1.345	15CD	3.2	1.45	0.7	17	12.5	318	D
TF15	Pheasant	1272	54/19	1.382	15CD	3.2	1.45	0.7	17	12.5	318	D
TF15	Dipper	1351.5	45/7	1.385	15CD	3.2	1.45	0.7	17	12.5	318	D
TF15	Martin	1351.5	54/19	1.424	15CD	3.2	1.45	0.7	17	12.5	318	D
TF16	Bobolink	1431	45/7	1.427	16CD	3.7	1.69	0.7	17	13.3	338	D
TF16	Plover	1431	54/19	1.465	16CD	3.7	1.69	0.7	17	13.3	338	D
TF16	Nuthatch	1510.5	45/7	1.466	16CD	3.7	1.69	0.7	17	13.3	338	D
TF16	Parrot	1510.5	54/19	1.506	16CD	3.7	1.69	0.7	17	13.3	338	D
TF16	Lapwing	1590	45/7	1.504	16CD	3.7	1.69	0.7	17	13.3	338	D
TF17	Falcon	1590	54/19	1.545	17CD	4.6	2.09	0.7	17	14.4	366	E
TF17	Chukar	1780	84/19	1.602	17CD	4.6	2.09	0.7	17	14.4	366	E
TF18	—	2034	72/7	1.681	18CD	5.2	2.36	0.7	19	15.0	381	E
TF19	Bluebird	2156	84/19	1.762	19CD	6.3	2.86	0.9	22	15.7	399	E
TF19	Kiwi	2167	72/7	1.737	19CD	6.3	2.86	0.9	22	15.7	399	E
TF19	Thrasher	2312	74/19	1.802	19CD	6.3	2.86	0.9	22	15.7	399	E
TF20	Joree	2515	74/19	1.880	20CD	6.8	3.08	0.9	22	16.0	406	E

Quick Compress Terminal for ACSR Conductor, 45°, T45 Series



The T45 Series 45° Terminal Connector is designed for fast and easy installation. By using a high strength alloy, the compression length has been shortened for less compression bites. The terminal connector is pre-filled, eliminating an installation step.

All T45 Series connectors are designed for limited tension use, maintaining a minimum of 40% of the ASTM rated strength of the conductor.

The end tapers of all compression accessories are supplied with a High Voltage finish for die size sections 12CD and above.

The square edges of bolted pads of the compression accessories could cause Corona. Pads with edges and corners rounded can be supplied by adding the catalog suffix 'EHV'.

Ordering Instructions

Step 1: Catalog Number

Determine the catalog number based on the conductor being used.

Step 2: Extra High Voltage Finish

For Extra High Voltage Finish, use 'EHV'. (≥ 345 kV)

For Standard Finish, leave blank. (< 345 kV)

Step 3: Assemble Catalog Number.



Example:

A 45° terminal for 795 Drake with an EHV finish, the complete catalog number is:

T4512EHV

Notes:

1. Pad Dimensions are on page 257.
2. Installation Instructions for Terminals are on page 272.
3. Bolts, nuts and washers are not supplied with T45 Series Terminal Connectors.
4. For more information on die selection and ordering instructions, see Tools and Equipment tab in this catalog.

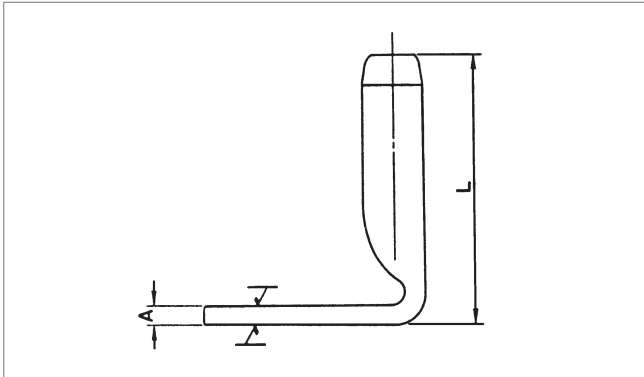
Quick Compress Terminal for ACSR Conductor, 45°, T45 Series (cont.)

CATALOG NUMBER	CONDUCTOR				DIE SIZE	TOTAL WEIGHT		DIMENSIONS				PAD SIZE
	CODE WORD	SIZE	STRANDING	DIAMETER		LBS	KG	A		L		
		KCMIL	AL/ST	IN				IN	MM	IN	MM	
T4507	Owl	266.8	6/7	0.633	07CD	0.4	0.19	0.3	8	7.3	185	B
T4507	Waxwing	266.8	18/1	0.609	07CD	0.4	0.19	0.3	8	7.3	185	B
T4507	Partridge	266.8	26/7	0.642	07CD	0.4	0.19	0.3	8	7.3	185	B
T4508	Ostrich	300.0	26/7	0.680	08CD	0.6	0.25	0.4	10	7.8	198	B
T4508	Merlin	336.4	18/1	0.684	08CD	0.6	0.25	0.4	10	7.8	198	B
T4508	Linnet	336.4	26/7	0.720	08CD	0.6	0.25	0.4	10	7.8	198	B
T4509	Oriole	336.4	30/7	0.741	09CD	0.8	0.34	0.4	11	8.2	208	B
T4508	Chickadee	397.5	18/1	0.743	08CD	0.6	0.25	0.4	10	7.8	198	B
T4509	Brant	397.5	24/7	0.772	09CD	0.8	0.34	0.4	11	8.2	208	B
T4509	Ibis	397.5	26/7	0.783	09CD	0.8	0.34	0.4	11	8.2	208	B
T4510	Lark	397.5	30/7	0.806	10CD	1.0	0.45	0.5	12	8.6	218	B
T4509	Pelican	477.0	18/1	0.814	09CD	0.8	0.34	0.4	11	8.2	208	B
T4509	Flicker	477.0	24/7	0.846	09CD	0.8	0.34	0.4	11	8.2	208	B
T4510	Hawk	477.0	26/7	0.858	10CD	1.0	0.45	0.5	12	8.6	218	B
T4511	Hen	477.0	30/7	0.883	11CD	1.3	0.59	0.4	9	9.4	239	D
T4510	Osprey	556.5	18/1	0.879	10CD	1.0	0.45	0.5	12	8.6	218	B
T4510	Parakeet	556.5	24/7	0.914	10CD	1.0	0.45	0.5	12	8.6	218	B
T4510	Dove	556.5	26/7	0.927	10CD	1.0	0.45	0.5	12	8.6	218	B
T4511	Eagle	556.5	30/7	0.953	11CD	1.3	0.59	0.4	9	9.4	239	D
T4511	Peacock	605.0	24/7	0.953	11CD	1.3	0.59	0.4	9	9.4	239	D
T4511	Squab	605.0	26/7	0.966	11CD	1.3	0.59	0.4	9	9.4	239	D
T4512	Teal	605.0	30/19	0.994	12CD	1.6	0.73	0.4	11	9.7	246	D
T4510	Kingbird	636.0	18/1	0.940	10CD	1.0	0.45	0.5	12	8.6	218	B
T4511	Root	636.0	24/7	0.977	11CD	1.3	0.59	0.4	9	9.4	239	D
T4511	Grosbeak	636.0	26/7	0.990	11CD	1.3	0.59	0.4	9	9.4	239	D
T4512	Egret	636.0	30/19	1.019	12CD	1.6	0.73	0.4	11	9.7	246	D
T4510	Swift	636.0	36/1	0.930	10CD	1.0	0.45	0.5	12	8.6	218	B
T4511	Flamingo	666.6	24/7	1.000	11CD	1.3	0.59	0.4	9	9.4	239	D
T4511	Stilt	715.5	24/7	1.036	11CD	1.3	0.59	0.4	9	9.4	239	D
T4512	Starling	715.5	26/7	1.051	12CD	1.6	0.73	0.4	11	9.7	246	D
T4513	Redwing	715.5	30/19	1.081	13CD	2.0	0.91	0.5	13	10.2	259	D
T4512	Cuckoo	795.0	24/7	1.092	12CD	1.6	0.73	0.4	11	9.7	246	D
T4512	Drake	795.0	26/7	1.108	12CD	1.6	0.73	0.4	11	9.7	246	D
T4514	Mallard	795.0	30/19	1.140	14CD	2.3	1.04	0.6	16	10.6	269	D
T4511	Coot	795.0	36/1	1.040	11CD	1.3	0.59	0.4	9	9.4	239	D
T4512	Tern	795.0	45/7	1.063	12CD	1.6	0.73	0.4	11	9.7	246	D
T4512	Condor	795.0	54/7	1.093	12CD	1.6	0.73	0.4	11	9.7	246	D
T4512	Ruddy	900.0	45/7	1.131	12CD	1.6	0.73	0.4	11	9.7	246	D

Quick Compress Terminal for ACSR Conductor, 45°, T45 Series (cont.)

CATALOG NUMBER	CONDUCTOR				DIE SIZE	TOTAL WEIGHT		DIMENSIONS				PAD SIZE
	CODE WORD	SIZE	STRANDING	DIAMETER		LBS	KG	A		L		
		KCMIL	AL/ST	IN				IN	MM	IN	MM	
T4513	Canary	900.0	54/7	1.162	13CD	2.0	0.91	0.5	13	10.2	259	D
T4512	Catbird	954.0	36/1	1.140	12CD	1.6	0.73	0.4	11	9.7	246	D
T4513	Rail	954.0	45/7	1.165	13CD	2.0	0.91	0.5	13	10.2	259	D
T4513	Cardinal	954.0	54/7	1.196	13CD	2.0	0.91	0.5	13	10.2	259	D
T4513	Tanger	1033.5	36/1	1.186	13CD	2.0	0.91	0.5	13	10.2	259	D
T4513	Ortolan	1033.5	45/7	1.212	13CD	2.0	0.91	0.5	13	10.2	259	D
T4514	Curlew	1033.5	54/7	1.244	14CD	2.3	1.04	0.6	16	10.6	269	D
T4514	Bluejay	1113.0	45/7	1.259	14CD	2.3	1.04	0.6	16	10.6	269	D
T4514	Finch	1113.0	54/19	1.293	14CD	2.3	1.04	0.6	16	10.6	269	D
T4514	Bunting	1192.5	45/7	1.302	14CD	2.3	1.04	0.6	16	10.6	269	D
T4515	Grackle	1192.5	54/19	1.333	15CD	2.8	1.27	0.7	17	11.8	300	D
T4515	Bittern	1272.0	45/7	1.345	15CD	2.8	1.27	0.7	17	11.8	300	D
T4515	Pheasant	1272.0	54/19	1.382	15CD	2.8	1.27	0.7	17	11.8	300	D
T4515	Dipper	1351.5	45/7	1.385	15CD	2.8	1.27	0.7	17	11.8	300	D
T4515	Martin	1351.5	54/19	1.424	15CD	2.8	1.27	0.7	17	11.8	300	D
T4516	Bobolink	1431.0	45/7	1.427	16CD	3.4	1.54	0.7	17	11.0	279	D
T4516	Plover	1431.0	54/19	1.465	16CD	3.4	1.54	0.7	17	11.0	279	D
T4516	Nuthatch	1510.5	45/7	1.466	16CD	3.4	1.54	0.7	17	11.0	279	D
T4516	Parrot	1510.5	54/19	1.506	16CD	3.4	1.54	0.7	17	11.0	279	D
T4516	Lapwing	1590.0	45/7	1.504	16CD	3.4	1.54	0.7	17	11.0	279	D
T4517	Falcon	1590.0	54/19	1.545	17CD	4.2	1.91	0.7	17	12.6	320	E
T4517	Chukar	1780.0	84/19	1.602	17CD	4.2	1.91	0.7	17	12.6	320	E
T4518	—	2034.0	72/7	1.681	18CD	4.9	2.22	0.7	19	13.0	330	E
T4519	Bluebird	2156.0	84/19	1.762	19CD	5.7	2.59	0.9	22	13.7	348	E
T4519	Kiwi	2167.0	72/7	1.737	19CD	5.7	2.59	0.9	22	13.7	348	E
T4519	Thrasher	2312.0	76/19	1.802	19CD	5.7	2.59	0.9	22	13.7	348	E
T4520	Joree	2515.0	76/19	1.880	20CD	6.5	2.95	0.9	22	14.2	361	E

Quick Compress Terminal for ACSR Conductor, 90°, TN Series



The TN Series 90° Terminal Connector is designed for fast and easy installation. By using a high strength alloy, the compression length has been shortened for less compression bites. The terminal connector is pre-filled, eliminating an installation step.

All TN Series connectors are designed for limited tension use, maintaining a minimum of 40% of the ASTM rated strength of the conductor.

The end tapers of all compression accessories are supplied with a High Voltage finish for die size sections 12CD and above.

The square edges of bolted pads of the compression accessories could cause Corona. Pads with edges and corners rounded can be supplied by adding the catalog suffix 'EHV'.

Ordering Instructions

Step 1: Catalog Number

Determine the catalog number based on the conductor being used.

Step 2: Extra High Voltage Finish

For Extra High Voltage Finish, use 'EHV'. (≥ 345 kV)

For Standard Finish, leave blank. (< 345 kV)

Step 3: Assemble Catalog Number.



Example:

A 90° terminal for 795 Drake with an EHV finish, the complete catalog number is:

TN12EHV

Notes:

1. Pad Dimensions are on page 257.
2. Installation Instructions for Terminals are on page 272.
3. Bolts, nuts and washers are not supplied with TN Series Terminal Connectors.
4. For more information on die selection and ordering instructions, see Tools and Equipment tab in this catalog.

Quick Compress Terminal for ACSR Conductor, 90°, TN Series (cont.)

CATALOG NUMBER	CONDUCTOR				DIE SIZE	TOTAL WEIGHT		DIMENSIONS				PAD SIZE
	CODE WORD	SIZE	STRANDING	DIAMETER		LBS	KG	A		L		
		KCMIL	AL/ST	IN				IN	MM	IN	MM	
TN07	Owl	266.8	6/7	0.633	07CD	0.5	0.20	0.3	8	5.2	132	B
TN07	Waxwing	266.8	18/1	0.609	07CD	0.5	0.20	0.3	8	5.2	132	B
TN07	Partridge	266.8	26/7	0.642	07CD	0.5	0.20	0.3	8	5.2	132	B
TN08	Ostrich	300.0	26/7	0.680	08CD	0.6	0.29	0.4	10	5.7	145	B
TN08	Merlin	336.4	18/1	0.684	08CD	0.6	0.29	0.4	10	5.7	145	B
TN08	Linnet	336.4	26/7	0.720	08CD	0.6	0.29	0.4	10	5.7	145	B
TN09	Oriole	336.4	30/7	0.741	09CD	0.8	0.38	0.4	11	6.2	157	B
TN08	Chickadee	397.5	18/1	0.743	08CD	0.6	0.29	0.4	10	5.7	145	B
TN09	Brant	397.5	24/7	0.772	09CD	0.8	0.38	0.4	11	6.2	157	B
TN09	Ibis	397.5	26/7	0.783	09CD	0.8	0.38	0.4	11	6.2	157	B
TN10	Lark	397.5	30/7	0.806	10CD	1.1	0.50	0.5	12	6.7	170	B
TN09	Pelican	477.0	18/1	0.814	09CD	0.8	0.38	0.4	11	6.2	157	B
TN09	Flicker	477.0	24/7	0.846	09CD	0.8	0.38	0.4	11	6.2	157	B
TN10	Hawk	477.0	26/7	0.858	10CD	1.1	0.50	0.5	12	6.7	170	B
TN11	Hen	477.0	30/7	0.883	11CD	1.4	0.64	0.4	9	7.5	191	D
TN10	Osprey	556.5	18/1	0.879	10CD	1.1	0.50	0.5	12	6.7	170	B
TN10	Parakeet	556.5	24/7	0.914	10CD	1.1	0.50	0.5	12	6.7	170	B
TN10	Dove	556.5	26/7	0.927	10CD	1.1	0.50	0.5	12	6.7	170	B
TN11	Eagle	556.5	30/7	0.953	11CD	1.4	0.64	0.4	9	7.5	191	D
TN11	Peacock	605.0	24/7	0.953	11CD	1.4	0.64	0.4	9	7.5	191	D
TN11	Squab	605.0	26/7	0.966	11CD	1.4	0.64	0.4	9	7.5	191	D
TN12	Teal	605.0	30/19	0.994	12CD	1.8	0.82	0.4	11	7.9	202	D
TN10	Kingbird	636.0	18/1	0.940	10CD	1.1	0.50	0.5	12	6.7	170	B
TN11	Root	636.0	24/7	0.977	11CD	1.4	0.64	0.4	9	7.5	191	D
TN11	Grosbeak	636.0	26/7	0.990	11CD	1.4	0.64	0.4	9	7.5	191	D
TN12	Egret	636.0	30/19	1.019	12CD	1.8	0.82	0.4	11	7.9	202	D
TN10	Swift	636.0	36/1	0.930	10CD	1.1	0.50	0.5	12	6.7	170	B
TN11	Flamingo	666.6	24/7	1.000	11CD	1.4	0.64	0.4	9	7.5	191	D
TN11	Stilt	715.5	24/7	1.036	11CD	1.4	0.64	0.4	9	7.5	191	D
TN12	Starling	715.5	26/7	1.051	12CD	1.8	0.82	0.4	11	7.9	202	D
TN13	Redwing	715.5	30/19	1.081	13CD	2.2	1.00	0.5	13	8.5	216	D
TN12	Cuckoo	795.0	24/7	1.092	12CD	1.8	0.82	0.4	11	7.9	202	D
TN12	Drake	795.0	26/7	1.108	12CD	1.8	0.82	0.4	11	7.9	202	D
TN14	Mallard	795.0	30/19	1.140	14CD	2.6	1.18	0.6	16	9.2	233	D
TN11	Coot	795.0	36/1	1.040	11CD	1.4	0.64	0.4	9	7.5	191	D
TN12	Tern	795.0	45/7	1.063	12CD	1.8	0.82	0.4	11	7.9	202	D
TN12	Condor	795.0	54/7	1.093	12CD	1.8	0.82	0.4	11	7.9	202	D
TN12	Ruddy	900.0	45/7	1.131	12CD	1.8	0.82	0.4	11	7.9	202	D

Quick Compress Terminal for ACSR Conductor, 90°, TN Series (cont.)

CATALOG NUMBER	CONDUCTOR				DIE SIZE	TOTAL WEIGHT		DIMENSIONS				PAD SIZE
	CODE WORD	SIZE	STRANDING	DIAMETER		LBS	KG	A		L		
		KCMIL	AL/ST	IN				IN	MM	IN	MM	
TN13	Canary	900.0	54/7	1.162	13CD	2.2	1.00	0.5	13	8.5	216	D
TN12	Catbird	954.0	36/1	1.140	12CD	1.8	0.82	0.4	11	7.9	202	D
TN13	Rail	954.0	45/7	1.165	13CD	2.2	1.00	0.5	13	8.5	216	D
TN13	Cardinal	954.0	54/7	1.196	13CD	2.2	1.00	0.5	13	8.5	216	D
TN13	Tanger	1033.5	36/1	1.186	13CD	2.2	1.00	0.5	13	8.5	216	D
TN13	Ortolan	1033.5	45/7	1.212	13CD	2.2	1.00	0.5	13	8.5	216	D
TN14	Curlew	1033.5	54/7	1.244	14CD	2.6	1.18	0.6	16	9.2	233	D
TN14	Bluejay	1113.0	45/7	1.259	14CD	2.6	1.18	0.6	16	9.2	233	D
TN14	Finch	1113.0	54/19	1.293	14CD	2.6	1.18	0.6	16	9.2	233	D
TN14	Bunting	1192.5	45/7	1.302	14CD	2.6	1.18	0.6	16	9.2	233	D
TN15	Grackle	1192.5	54/19	1.333	15CD	3.1	1.41	0.7	17	9.8	248	D
TN15	Bittern	1272.0	45/7	1.345	15CD	3.1	1.41	0.7	17	9.8	248	D
TN15	Pheasant	1272.0	54/19	1.382	15CD	3.1	1.41	0.7	17	9.8	248	D
TN15	Dipper	1351.5	45/7	1.385	15CD	3.1	1.41	0.7	17	9.8	248	D
TN15	Martin	1351.5	54/19	1.424	15CD	3.1	1.41	0.7	17	9.8	248	D
TN16	Bobolink	1431.0	45/7	1.427	16CD	3.7	1.68	0.7	17	10.2	259	D
TN16	Plover	1431.0	54/19	1.465	16CD	3.7	1.68	0.7	17	10.2	259	D
TN16	Nuthatch	1510.5	45/7	1.466	16CD	3.7	1.68	0.7	17	10.2	259	D
TN16	Parrot	1510.5	54/19	1.506	16CD	3.7	1.68	0.7	17	10.2	259	D
TN16	Lapwing	1590.0	45/7	1.504	16CD	3.7	1.68	0.7	17	10.2	259	D
TN17	Falcon	1590.0	54/19	1.545	17CD	4.6	2.09	0.7	17	11.2	264	E
TN17	Chukar	1780.0	84/19	1.602	17CD	4.6	2.09	0.7	17	11.2	264	E
TN18	—	2034.0	72/7	1.681	18CD	5.3	2.40	0.7	19	11.4	289	E
TN19	Bluebird	2156.0	84/19	1.762	19CD	6.1	2.77	0.9	22	11.9	303	E
TN19	Kiwi	2167.0	72/7	1.737	19CD	6.1	2.77	0.9	22	11.9	303	E
TN19	Thrasher	2312.0	76/19	1.802	19CD	6.1	2.77	0.9	22	11.9	303	E
TN20	Joree	2515.0	76/19	1.880	20CD	6.9	3.13	0.9	22	12.6	321	E