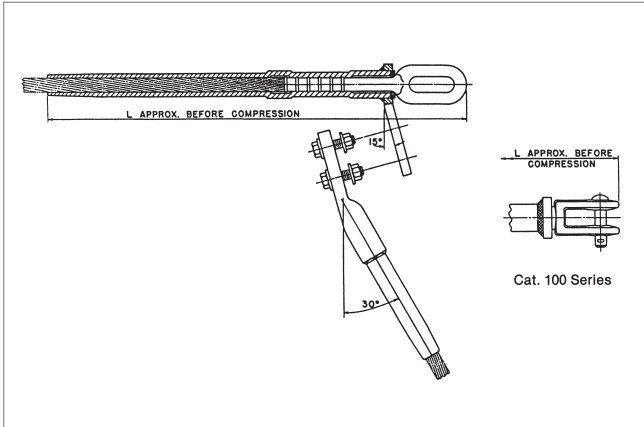


Compression Dead Ends—33500 Series for AAC Conductor, Eye or Clevis Type, Single Tongue



The 33500 Series Dead End Assembly is specifically designed for AAC conductors. The aluminum body of the dead end is fabricated from AFL seamless drawn aluminum. The tongue and terminal pad are constructed with a 15° angle, which permits the terminal connector to be bolted in the straight or 30° position.

All dead ends are designed for full tension use, achieving a minimum of 95% of the ASTM rated strength of the conductor on which they are used. Each dead end assembly comes with a dead end body, steel eye or clevis, 15° terminal and aluminum hardware.

For die size sections 30AH and above, the end tapers of the compression portions of all compression accessories are supplied with a high voltage finish. Corona bolts are furnished as standard on 15° terminals for these section sizes.

The square edges of bolted pads on compression accessories could cause Corona in environments greater than or equal to 345 kV. Pads with edges and corners rounded can be supplied by adding the catalog suffix "EHV".

Ordering Instructions

Step 1: Assembly Catalog Number

Determine the assembly catalog number based on the conductor being used.

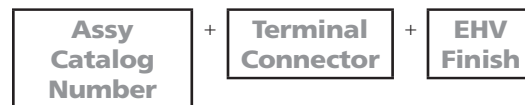
Step 2: Terminal Connector

For an assembly without a terminal connector, use 'NT'.
For an assembly with a terminal connector, leave blank.

Step 3: Extra High Voltage Finish

For Extra High Voltage Finish, use 'EHV'.
For Standard Finish, leave blank.

Step 4: Assemble Catalog Number.



Example:

For 795 Arbutus conductor with no terminal and EHV finish, the complete catalog number is:

E33516NTEHV

Notes:

1. Eye and Clevis Dimensions are on page 119.
2. Pad Dimensions are on page 117.
3. AFL Filler Compound (AFC) Requirements are on page 115.
4. Installation Instructions for Dead Ends are on page 133.
5. Installation Instructions for Terminals are on page 131.

Compression Dead Ends—33500 Series for AAC Conductor, Eye or Clevis Type, Single Tongue (cont.)

DEAD END ASSEMBLY CATALOG NUMBER	CONDUCTOR				ALUMINUM BODY SINGLE TONGUE	STEEL COMPONENT		15° TERMINAL CONNECTOR	DIE SIZE	TOTAL WEIGHT		DIMENSIONS L		PAD SIZE
	CODE WORD	SIZE	STRANDING	DIA.		STEEL EYE	STEEL CLEVIS		ALUMINUM HEX DIES	LBS	KG	IN	MM	
		KCMIL	AL	IN										
C33501	Aster	2/0	7	0.414	7174.438	—	A100X	5174.438	74AH	2.1	0.97	10.8	275	B
C33501	Buttercup	2/0	19	0.419	7174.438	—	A100X	5174.438	74AH	2.1	0.97	10.8	275	B
C33502	Phlox	3/0	7	0.464	7174.484	—	A100X	5174.484	74AH	1.9	0.84	10.8	275	B
C33502	Primrose	3/0	19	0.470	7174.484	—	A100X	5174.484	74AH	1.9	0.84	10.8	275	B
C33503	Oxlip	4/0	7	0.522	7175.547	—	A102X	5175.547	75AH	3.5	1.56	12.4	316	B
C33503	Sunflower	4/0	19	0.528	7175.547	—	A102X	5175.547	75AH	3.5	1.56	12.4	316	B
C33504	Sneezewort	250.0	7	0.567	7175.609	—	A102X	5175.609	75AH	3.3	1.50	12.4	316	B
C33504	Valerian	250.0	19	0.575	7175.609	—	A102X	5175.609	75AH	3.3	1.50	12.4	316	B
C33504	Dandelion	250.0	37	0.575	7175.609	—	A102X	5175.609	75AH	3.3	1.50	12.4	316	B
C33504	Daisy	266.8	7	0.586	7175.609	—	A102X	5175.809	75AH	3.3	1.60	12.4	316	B
C33504	Laurel	266.8	19	0.593	7175.609	—	A102X	5175.609	75AH	3.5	1.50	12.4	318	B
C33505	Peony	300.0	19	0.629	7176.656	—	A101X	5176.656	76AH	3.0	1.77	14.1	357	B
C33505	Avgave	300.0	37	0.629	7176.656	—	A101X	5176.656	76AH	3.0	1.77	14.1	357	B
C33506	Tulip	336.4	19	0.666	7176.688	—	A103X	5176.688	76AH	3.6	1.62	14.1	357	B
E33507	Daffodil	350.0	19	0.681	7120.719	9100	—	5120.719	20AH	3.7	1.68	17.5	445	B
E33507	Gardenia	350.0	37	0.681	7120.719	9100	—	5120.719	20AH	3.7	1.68	17.5	445	B
C33508	Canna	397.5	19	0.724	7176.750	—	A103X	5176.750	76AH	3.4	1.56	14.1	357	B
E33509	Goldentuft	450.0	19	0.772	7120.812	9100	—	5120.812	20AH	3.6	1.62	17.5	445	B
E33509	Yarrow	450.0	37	0.772	7120.812	9100	—	5120.812	20AH	3.6	1.62	17.5	445	B
E33509	Cosmos	477.0	19	0.793	7120.812	9100	—	5120.812	20AH	3.6	1.62	17.5	445	B
E33509	Syringa	477.0	37	0.795	7120.812	9100	—	5120.812	20AH	3.6	1.62	17.5	445	B
E33510	Cosmos	477.0	19	0.793	7124.875	9100	—	5124.875	24AH	4.9	2.23	18.3	464	B
E33510	Syringa	477.0	37	0.795	7124.875	9100	—	5124.875	24AH	4.9	2.23	18.3	464	B
E33510	Zinna	500.0	19	0.811	7124.875	9100	—	5124.875	24AH	4.9	2.23	18.3	464	B
E33510	Hyacinth	500.0	37	0.813	7124.875	9100	—	5124.875	24AH	4.9	2.23	18.3	464	B
E33511	Dahlia	556.5	19	0.856	7124.938	9100	—	5124.938	24AH	4.7	2.13	18.3	464	B
E33511	Mistletoe	556.5	37	0.858	7124.938	9100	—	5124.938	24AH	4.7	2.13	18.3	464	B
E33512	Meadowsweet	600.0	37	0.891	7124.938C	9200	—	5124.938	24AH	5.1	2.32	18.4	467	B
E33512	Lotus	600.0	61	0.893	7124.938C	9200	—	5124.938	24AH	5.1	2.32	18.4	467	B
E33513	Orchid	636.0	37	0.918	7124.969	9200	—	5124.969	24AH	6.4	2.32	18.4	467	B
E33513	Heuchera	650.0	37	0.928	7124.969	9200	—	5124.969	24AH	6.3	2.32	18.4	467	B
E33514	Verbena	700.0	37	0.963	7127.100	9200	—	5127.100	27AH	6.7	3.09	20.6	524	D
E33514	Flag	700.0	61	0.964	7127.100	9200	—	5127.100	27AH	6.7	3.09	20.6	524	D
E33515	Violet	715.5	37	0.974	7127.106	9200	—	5127.106	27AH	7.4	3.04	20.6	524	D
E33515	Nasurtium	715.5	61	0.975	7127.106	9200	—	5127.106	27AH	7.4	3.04	20.6	524	D
E33515	Petunia	750.0	37	0.997	7127.106	9200	—	5127.106	27AH	7.4	3.04	20.6	524	D
E33515	Cattail	750.0	61	0.998	7127.106	9200	—	5127.106	27AH	7.4	3.04	20.6	524	D
E33516	Arbutus	795.0	37	1.026	7130.109	9300	—	5130.109	30AH	9.0	3.99	20.8	529	D

AAC ACCESSORIES

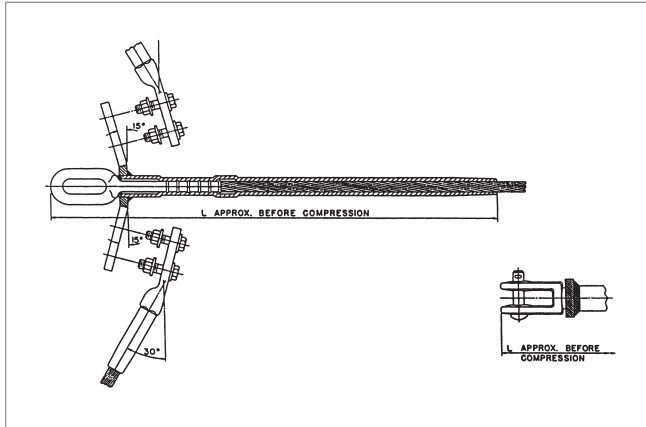
Compression Dead Ends—33500 Series for AAC Conductor, Eye or Clevis Type, Single Tongue (cont.)

DEAD END ASSEMBLY CATALOG NUMBER	CONDUCTOR				ALUMINUM BODY SINGLE TONGUE	STEEL COMPONENT		15° TERMINAL CONNECTOR	DIE SIZE	TOTAL WEIGHT		DIMENSIONS L		PAD SIZE
	CODE WORD	SIZE	STRANDING	DIA.		STEEL EYE	STEEL CLEVIS		ALUMINUM HEX DIES	LBS	KG	IN	MM	
		KCMIL	AL	IN										
E33516	—	800.0	37	1.031	7130.109	9300	—	5130.109	30AH	9.0	3.99	20.8	529	D
E33516	Heliotrope	800.0	61	1.031	7130.109	9300	—	5130.109	30AH	9.0	3.99	20.8	529	D
E33517	Cockscomb	900.0	37	1.092	7130.116	9300	—	5130.116	30AH	8.9	4.04	21.8	554	D
E33517	Snapdragon	900.0	61	1.094	7130.116	9300	—	5130.116	30AH	8.9	4.04	21.8	554	D
E33518	Magnolia	954.0	37	1.124	7130.122	9300	—	5130.122	30AH	8.8	3.99	23.1	586	D
E33518	Goldenrod	954.0	61	1.126	7130.122	9300	—	5130.122	30AH	8.8	3.99	23.1	586	D
E33518	Hawkweed	1000.0	37	1.150	7130.122	9300	—	5130.122	30AH	9.9	3.99	23.1	586	D
E33518	Camellia	1000.0	61	1.152	7130.122	9300	—	5130.122	30AH	9.9	3.99	23.1	586	D
E33519	Bluebell	1033.5	37	1.170	7130.122	9400	—	5130.122	30AH	10.4	4.31	23.2	589	D
E33519	Larkspur	1033.5	61	1.172	7130.122	9400	—	5130.122	30AH	10.4	4.31	23.2	589	D
E33520	Marigold	1113.0	61	1.216	7134.128	9400	—	5134.128	34AH	11.5	5.31	22.9	583	D
E33521	Hawthorn	1192.5	61	1.258	7134.134	9400	—	5134.134	34AH	11.7	5.18	23.4	595	D
E33522	Narcissus	1272.0	61	1.300	7134.134	E9500	—	5134.134	34AH	12.0	5.31	23.6	598	D
E33523	Columbine	1351.5	61	1.340	7136.144	E9500	—	5136.144	36AH	12.2	5.57	24.3	617	D
E33523	Carnation	1431.0	61	1.379	7136.144	E9500	—	5136.144	36AH	12.2	5.57	24.3	617	D
E33524	—	1500.0	91	1.412	7136.147	E9500	—	5136.147	36AH	12.6	5.53	24.3	617	D
E33524	Gladiolus	1510.5	61	1.417	7136.147	E9500	—	5136.147	36AH	14.5	5.53	24.3	617	D
E33525	Coreopsis	1590.0	61	1.454	7138.156	E9600	—	5138.156	38AH	16.8	6.31	24.6	624	D
E33525	Dogwood	1590.0	91	1.454	7138.156	E9601	—	5139.156	38AH	16.8	6.31	24.6	624	D
E33526	Jessamine	1750.0	61	1.525	7140.162	E9600	—	5140.162	40AH	18.8	7.57	24.6	624	E
E33527	Cowslip	2000.0	91	1.630	7142.178	E9700	—	5142.178	42AH	19.7	8.57	25.9	658	E
E33528	Sagebrush	2250.0	91	1.729	7144.181	E9800	—	5144.181	44AH	22.3	10.24	25.8	654	E
E33528	—	2300.0	61	1.750	7144.181	E9800	—	5144.181	44AH	24.8	10.24	25.8	654	E
E33528	—	2300.0	91	1.750	7144.181	E9800	—	5145.181	44AH	24.8	10.24	25.8	654	E
E33529	Lupine	2500.0	91	1.823	7144.188	E9800	—	5144.188	44AH	14.0	10.02	25.8	654	E
E33530	Bitterroot	2750.0	91	1.912	7148.197	E9800	—	5148.197	48AH	16.1	12.11	28.6	725	E

AAC ACCESSORIES

Compression Dead Ends—33600 Series for AAC Conductor, Eye or Clevis Type, Double Tongue

AAC ACCESSORIES



The 33600 Series Double Tongue Dead End Assembly is specifically designed for AAC conductors. The aluminum body of the dead end is fabricated from AFL seamless drawn aluminum. The tongue and terminal pad are constructed with a 15° angle, which permits the terminal connector to be bolted in the straight or 30° position.

All dead ends are designed for full tension use, achieving a minimum of 95% of the ASTM rated strength of the conductor on which they are used. Each dead end assembly comes with a dead end body, steel eye or clevis, two 15° terminals and aluminum hardware.

For die size sections 30AH and above, the end tapers of the compression portions of all compression accessories are supplied with a high voltage finish. Corona bolts are furnished as standard on 15° terminals for these section sizes.

The square edges of bolted pads on compression accessories could cause Corona in environments greater than or equal to 345 kV. Pads with edges and corners rounded can be supplied by adding the catalog suffix "EHV".

Ordering Instructions

Step 1: Assembly Catalog Number

Determine the assembly catalog number based on the conductor being used.

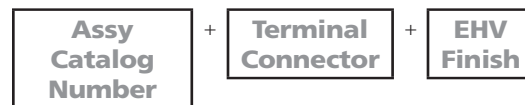
Step 2: Terminal Connector

For an assembly without a terminal connector, use 'NT'.
For an assembly with a terminal connector, leave blank.

Step 3: Extra High Voltage Finish

For Extra High Voltage Finish, use 'EHV'.
For Standard Finish, leave blank.

Step 4: Assemble Catalog Number.



Example:

For 795 Arbutus conductor with no terminal and EHV finish, the complete catalog number is:

E33616NTEHV

Notes:

1. Eye and Clevis Dimensions are on page 119.
2. Pad Dimensions are on page 117.
3. AFL Filler Compound (AFC) Requirements are on page 115.
4. Installation Instructions for Dead Ends are on page 133.
5. Installation Instructions for Terminals are on page 131.

Compression Dead Ends—33600 Series for AAC Conductor, Eye or Clevis Type, Double Tongue (cont.)

DEAD END ASSEMBLY CATALOG NUMBER	CONDUCTOR				ALUMINUM BODY DOUBLE TONGUE	STEEL COMPONENT		15° TERMINAL CONNECTOR	DIE SIZE	TOTAL WEIGHT		DIMENSIONS L		PAD SIZE
	CODE WORD	SIZE	STRANDING	DIA.		STEEL EYE	STEEL CLEVIS			ALUM. HEX DIES	LBS	KG	IN	
		KCMIL	AL	IN										
C33601	Aster	2/0	7	0.414	7274.438	—	A100X	5174.438	74AH	2.9	1.31	10.8	257	B
C33601	Buttercup	2/0	19	0.419	7274.438	—	A100X	5174.438	74AH	2.9	1.31	10.8	275	B
C33602	Phlox	3/0	7	0.464	7274.484	—	A100X	5174.484	74AH	2.6	1.17	10.8	275	B
C33602	Primrose	3/0	19	0.470	7274.484	—	A100X	5174.484	74AH	2.6	1.17	10.8	275	B
C33603	Oxlip	4/0	7	0.522	7275.547	—	A102X	5175.547	75AH	3.9	1.75	12.4	316	B
C33603	Sunflower	4/0	19	0.528	7275.547	—	A102X	5175.547	75AH	3.9	1.75	12.4	316	B
C33604	Sneezewort	250.0	7	0.567	7275.609	—	A102X	5175.609	75AH	3.7	1.68	12.4	316	B
C33604	Valerian	250.0	19	0.575	7275.609	—	A102X	5176.609	75AH	3.7	1.68	12.4	316	B
C33604	Dandelion	250.0	37	0.575	7276.609	—	A102X	5177.609	75AH	3.7	1.68	12.4	316	B
C33604	Daisy	266.8	7	0.586	7275.609	—	A102X	5175.809	75AH	3.7	1.68	12.4	316	B
C33604	Laurel	266.8	19	0.693	7275.609	—	A102X	5175.609	75AH	3.9	1.68	12.4	318	B
C33605	Peony	300.0	19	0.629	7276.656	—	A101X	5176.656	76AH	3.4	1.95	14.1	357	B
C33605	Avgave	300.0	37	0.629	7277.656	—	A101X	5177.656	76AH	3.4	1.95	14.1	357	B
C33606	Tulip	336.4	19	0.666	7276.688	—	A103X	5176.688	76AH	4.0	1.81	14.1	357	B
E33607	Daffodil	350.0	19	0.681	7220.719	9100	—	5120.719	20AH	4.2	1.90	17.5	445	B
E33607	Gardenia	350.0	37	0.681	7220.719	9100	—	5120.719	20AH	4.2	1.90	17.5	445	B
C33608	Canna	397.5	19	0.724	7276.750	—	A103X	5176.750	76AH	3.8	1.74	14.1	357	B
E33609	Goldentuft	450.0	19	0.772	7220.812	9100	—	5120.812	20AH	4.1	1.85	17.5	445	B
E33609	Yarrow	450.0	37	0.772	7220.812	9100	—	5120.812	20AH	4.1	1.85	17.5	445	B
E33609	Cosmos	477.0	19	0.793	7220.812	9100	—	5120.812	20AH	4.1	1.85	17.5	445	B
E33609	Syringa	477.0	37	0.795	7220.812	9100	—	5120.812	20AH	4.1	1.85	17.5	445	B
E33610	Cosmos	477.0	19	0.793	7224.875	9100	—	5124.875	24AH	5.4	2.45	18.3	464	B
E33610	Syringa	477.0	37	0.795	7224.875	9100	—	5124.875	24AH	5.4	2.45	18.3	464	B
E33610	Zinna	500.0	19	0.811	7224.875	9100	—	5124.875	24AH	5.4	2.45	18.3	464	B
E33610	Hyacinth	500.0	37	0.813	7224.875	9100	—	5124.875	24AH	5.4	2.45	18.3	464	B
E33611	Dahlia	556.5	19	0.856	7224.938	9100	—	5124.938	24AH	5.2	2.36	18.3	464	B
E33611	Mistletoe	556.5	37	0.858	7224.938	9100	—	5124.938	24AH	5.2	2.36	18.3	464	B
E33612	Meadow-sweet	600.0	37	0.891	7224.938C	9200	—	5124.938	24AH	5.5	2.50	18.4	467	B
E33612	Lotus	600.0	61	0.893	7224.938C	9200	—	5124.938	24AH	5.5	2.50	18.4	467	B
E33613	Orchid	636.0	37	0.918	7224.969	9200	—	5124.969	24AH	5.5	2.50	18.4	467	B
E33613	Heuchera	650.0	37	0.928	7224.969	9200	—	5124.969	24AH	5.5	2.50	18.4	467	B
E33614	Verbena	700.0	37	0.963	7227.100	9200	—	5127.100	27AH	7.6	3.45	20.6	524	D
E33614	Flag	700.0	61	0.964	7227.100	9200	—	5127.100	27AH	7.6	3.45	20.6	524	D
E33615	Violet	715.5	37	0.974	7227.106	9200	—	5127.106	27AH	7.5	3.40	20.6	524	D
E33615	Nasurtium	715.5	61	0.975	7227.106	9200	—	5127.106	27AH	7.5	3.40	20.6	524	D
E33615	Petunia	750.0	37	0.997	7227.106	9200	—	5127.106	27AH	7.5	3.40	20.6	524	D
E33615	Cattail	750.0	61	0.998	7227.106	9200	—	5127.106	27AH	7.5	3.40	20.6	524	D
E33616	Arbutus	795.0	37	1.026	7230.109	9300	—	5130.109	30AH	9.7	4.40	20.8	529	D
E33616	Lilac	795.0	61	1.028	7230.109	9300	—	5130.109	30AH	9.7	4.40	20.8	529	D
E33616	—	800.0	37	1.031	7230.109	9300	—	5130.109	30AH	9.7	4.40	20.8	529	D

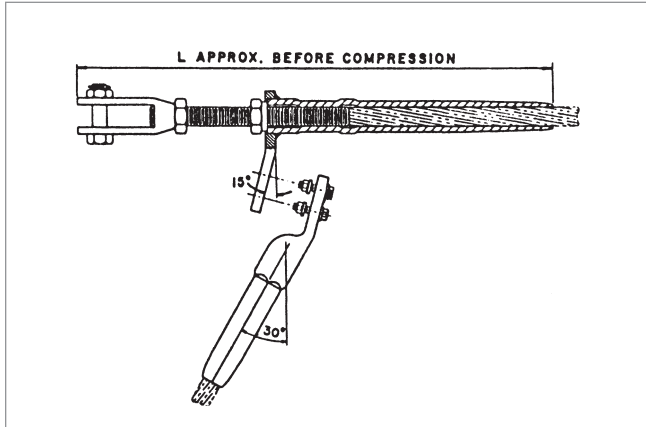
AAC ACCESSORIES

Compression Dead Ends—33600 Series for AAC Conductor, Eye or Clevis Type, Double Tongue (cont.)

DEAD END ASSEMBLY CATALOG NUMBER	CONDUCTOR				ALUMINUM BODY DOUBLE TONGUE	STEEL COMPONENT		15° TERMINAL CONNECTOR	DIE SIZE	TOTAL WEIGHT		DIMENSIONS L		PAD SIZE
	CODE WORD	SIZE	STRANDING	DIA.		STEEL EYE	STEEL CLEVIS		ALUM. HEX DIES	LBS	KG	IN	MM	
		KCMIL	AL	IN										
E33616	Heliotrope	800.0	61	1.031	7230.109	9300	—	5130.109	30AH	9.7	4.40	20.8	529	D
E33617	Cockscomb	900.0	37	1.092	7230.116	9300	—	5130.116	30AH	9.8	4.45	21.8	554	D
E33617	Snapdragon	900.0	61	1.094	7230.116	9300	—	5130.116	30AH	9.8	4.45	21.8	554	D
E33618	Magnolia	954.0	37	1.124	7230.122	9300	—	5130.122	30AH	9.7	4.40	23.1	586	D
E33618	Goldenrod	954.0	61	1.126	7230.122	9300	—	5130.122	30AH	9.7	4.40	23.1	586	D
E33618	Hawkweed	1000.0	37	1.152	7230.122	9300	—	5130.122	30AH	9.7	4.40	23.1	586	D
E33618	Camellia	1000.0	61	1.152	7230.122	9300	—	5130.122	30AH	9.7	4.40	23.1	586	D
E33619	Bluebell	1033.5	37	1.170	7230.122	9400	—	5130.122	30AH	10.4	4.72	23.2	589	D
E33619	Larkspur	1033.5	61	1.172	7230.122	9400	—	5130.122	30AH	10.4	4.72	23.2	589	D
E33620	Marigold	1113.0	61	1.216	7234.128	9400	—	5134.128	34AH	12.5	5.67	22.9	583	D
E33621	Hawthorn	1192.5	61	1.258	7234.134	9400	—	5134.134	34AH	12.2	5.54	23.4	595	D
E33622	Narcissus	1272.0	61	1.300	7234.134	E9500	—	5134.134	34AH	12.5	5.67	23.6	598	D
E33623	Columbine	1351.5	61	1.340	7236.144	E9500	—	5136.144	36AH	13.1	5.94	24.3	617	D
E33623	Carnation	1431.0	61	1.379	7236.144	E9500	—	5136.144	36AH	13.1	5.94	24.3	617	D
E33624	—	1500.0	91	1.412	7236.147	E9500	—	5136.147	36AH	13.0	5.89	24.3	617	D
E33624	Gladiolus	1510.5	61	1.417	7236.147	E9500	—	5136.147	36AH	13.0	5.89	24.3	617	D
E33625	Coreopsis	1590.0	61	1.454	7238.156	E9600	—	5138.156	38AH	14.8	6.72	24.6	624	D
E33625	Dogwood	1590.0	91	1.454	7239.156	E9601	—	5139.156	38AH	14.8	6.72	24.6	624	D
E33626	Jessamine	1750.0	61	1.525	7240.162	E9600	—	5140.162	40AH	18.5	8.39	24.6	624	E
E33627	Cowslip	2000.0	91	1.630	7242.178	E9700	—	5142.178	42AH	19.4	8.80	25.9	658	E
E33628	Sagebrush	2250.0	91	1.729	7244.181	E9800	—	5144.181	44AH	23.0	10.43	25.8	654	E
E33628	—	2300.0	61	1.750	7244.181	E9800	—	5144.181	44AH	23.0	10.43	25.8	654	E
E33628	—	2300.0	91	1.750	7245.181	E9801	—	5145.181	44AH	23.0	10.43	25.8	654	E
E33629	Lupine	2500.0	91	1.823	7244.188	E9800	—	5144.188	44AH	22.5	10.20	25.8	654	E
E33630	Bitterroot	2750.0	91	1.912	7248.197	E9800	—	5148.197	48AH	27.7	12.57	28.6	725	E

AAC ACCESSORIES

Compression Dead Ends—43200 Series for AAC Conductor, Adjustable Clevis Type, Single Tongue



The 43200 Series Adjustable Clevis Dead End Assembly is specifically designed for AAC conductors. The aluminum body of the dead end is fabricated from AFL seamless drawn aluminum. The tongue and terminal pad are constructed with a 15° angle, which permits the terminal connector to be bolted in the straight or 30° position.

All dead ends are designed for full tension use, achieving a minimum of 95% of the ASTM rated strength of the conductor on which they are used. Each dead end assembly comes with a dead end body, adjustable steel clevis, 15° terminal and aluminum hardware.

For die size sections 30AH and above, the end tapers of the compression portions of all compression accessories are supplied with a high voltage finish. Corona bolts are furnished as standard on 15° terminals for these section sizes.

The square edges of bolted pads on compression accessories could cause Corona in environments greater than or equal to 345 kV. Pads with edges and corners rounded can be supplied by adding the catalog suffix "EHV".

Ordering Instructions

Step 1: Assembly Catalog Number

Determine the assembly catalog number based on the conductor being used.

Step 2: Terminal Connector

For an assembly without a terminal connector, use 'NT'.
For an assembly with a terminal connector, leave blank.

Step 3: Extra High Voltage Finish

For Extra High Voltage Finish, use 'EHV'.
For Standard Finish, leave blank.

Step 4: Assemble Catalog Number.



Example:

For 795 Arbutus conductor with no terminal and EHV finish, the complete catalog number is:

C43217NTEHV

Notes:

1. Adjustable Clevis Dimensions are on page 120.
2. Pad Dimensions are on page 117.
3. AFL Filler Compound (AFC) Requirements are on page 115.
4. Installation Instructions for Dead Ends are on page 133.
5. Installation Instructions for Terminals are on page 131.

Compression Dead Ends—43200 Series for AAC Conductor, Adjustable Clevis Type, Single Tongue (cont.)

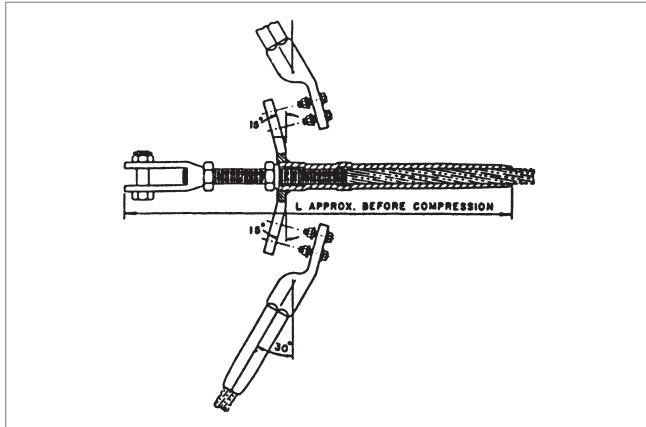
DEAD END ASSEMBLY CATALOG NUMBER	CODE WORD	CONDUCTOR			ALUMINUM BODY SINGLE TONGUE	ADJUSTABLE STEEL CLEVIS	15° TERMINAL CONNECTOR	DIE SIZE	TOTAL WEIGHT		DIMENSION L		PAD SIZE
		SIZE	STANDING	DIA.					ALUMINUM HEX DIES	LBS	KG	IN	
		KCMIL	AL	IN									
C43210	Daffodil	350.0	19	0.681	7120.719	C6100	5120.719	20AH	6.0	2.72	24.3	616	B
C43210	Gardenia	350.0	37	0.681	7120.719	C6100	5120.719	20AH	6.0	2.72	24.3	616	B
C43211	Canna	397.5	19	0.724	7120.812	C6100	5120.812	20AH	5.9	2.66	24.3	616	B
C43211	Goldentuft	450.0	19	0.772	7120.812	C6100	5121.812	20AH	5.9	2.66	24.3	616	B
C43211	Yarrow	450.0	37	0.772	7120.812	C6100	5120.812	20AH	5.9	2.66	24.3	616	B
C43211	Cosmos	477.0	19	0.793	7120.812	C6100	5121.812	20AH	5.9	2.66	24.3	616	B
C43212	Syringa	477.0	37	0.795	7124.875	C6100	5124.875	24AH	7.2	3.27	25.0	635	B
C43212	Cosmos	477.0	19	0.793	7125.875	C6100	5125.875	24AH	7.2	3.27	25.0	635	B
C43212	Syringa	477.0	37	0.795	7124.875	C6100	5124.875	24AH	7.2	3.27	25.0	635	B
C43212	Zinna	500.0	19	0.811	7124.875	C6100	5124.875	24AH	7.2	3.27	25.0	635	B
C43212	Hyacinth	500.0	37	0.813	7124.875	C6200	5124.875	24AH	7.7	3.50	25.1	638	B
C43213	Dahlia	556.5	19	0.858	7124.938C	C6200	5125.938	24AH	7.7	3.50	25.1	638	B
C43213	Mistletoe	556.5	37	0.858	7124.938C	C6200	5124.938	24AH	7.7	3.50	25.1	638	B
C43213	Meadowsweet	600.0	37	0.891	7124.938C	C6200	5125.938	24AH	7.7	3.50	25.1	638	B
C43214	Lotus	600.0	61	0.893	7124.969C	C6200	5124.969	24AH	7.6	3.45	25.1	638	B
C43214	Orchid	636.0	37	0.918	7124.969C	C6200	5125.969	24AH	7.6	3.45	25.1	638	B
C43214	Heuchera	650.0	37	0.928	7124.969C	C6200	5124.969	24AH	7.6	3.45	25.1	638	B
C43215	Verbena	700.0	37	0.964	7127.100	C6200	5127.100	27AH	9.4	4.27	27.4	695	D
C43216	Violet	715.5	37	0.975	7127.106	C6200	5127.106	27AH	9.3	4.22	27.4	695	D
C43216	Nasurtium	715.5	61	0.975	7127.106	C6200	5127.106	27AH	9.3	4.22	27.4	695	D
C43216	Petunia	750.0	37	0.998	7127.106	C6200	5127.106	27AH	9.3	4.22	27.4	695	D
C43216	Cattail	750.0	61	0.998	7127.106	C6200	5127.106	27AH	9.3	4.22	27.4	695	D
C43217	Arbutus	795.0	37	1.028	7130.109	C6300	5130.109	30AH	14.3	6.48	29.8	757	D
C43217	Lilac	795.0	61	1.028	7130.109	C6300	5130.109	30AH	14.3	6.48	29.8	757	D
C43217	—	800.0	37	1.031	7130.109	C6300	5130.109	30AH	14.3	6.48	29.8	757	D
C43217	Heliotrope	800.0	61	1.031	7130.109	C6300	5130.109	30AH	14.3	6.48	29.8	757	D
C43218	Cockscomb	900.0	37	1.094	7130.116	C6300	5130.116	30AH	14.4	6.53	30.8	783	D
C43218	Snapdragon	900.0	61	1.094	7130.116	C6300	5130.116	30AH	14.4	6.53	30.8	783	D
C43219	Magnolia	954.0	37	1.126	7130.122	C6400	5130.122	30AH	15.1	6.85	32.2	818	D
C43219	Goldenrod	954.0	61	1.126	7130.122	C6400	5130.122	30AH	15.1	6.85	32.2	818	D
C43219	Hawkweed	1000.0	37	1.152	7130.122	C6400	5130.122	30AH	14.1	6.85	32.2	818	D
C43219	Camellia	1000.0	61	1.152	7130.122	C6400	5130.122	30AH	14.1	6.85	32.2	818	D
C43219	Bluebell	1033.5	37	1.172	7130.122	C6400	5130.122	30AH	15.1	6.85	32.2	818	D
C43219	Larkspur	1033.5	61	1.172	7130.122	C6400	5130.122	30AH	15.1	6.85	32.2	818	D

AAC ACCESSORIES

Compression Dead Ends—43200 Series for AAC Conductor, Adjustable Clevis Type, Single Tongue (cont.)

DEAD END ASSEMBLY CATALOG NUMBER	CONDUCTOR				ALUMINUM BODY SINGLE TONGUE	ADJUSTABLE STEEL CLEVIS	15° TERMINAL CONNECTOR	DIE SIZE	TOTAL WEIGHT		DIMENSION L		PAD SIZE
	CODE WORD	SIZE	STANDING	DIA.				ALUMINUM HEX DIES	LBS	KG	IN	MM	
		KCMIL	AL	IN									
C43220	Marigold	1113.0	61	1.216	7134.128	C6400	5134.128	34AH	17.3	7.85	32.0	813	D
C43221	Hawthorn	1192.5	61	1.258	7134.134	C6400	5134.134	34AH	17.0	7.72	32.4	824	D
C43221	Narcissus	1272.0	61	1.300	7134.134	C6400	5134.134	34AH	17.0	7.72	32.4	824	D
C43222	Columbine	1351.5	61	1.340	7136.144	C6500	5136.144	36AH	18.7	8.47	33.4	848	D
C43222	Carnation	1431.0	61	1.379	7136.144	C6500	5136.144	36AH	18.7	8.47	33.4	848	D
C43223	—	1500.0	91	1.412	7136.147	C6500	5136.147	36AH	18.6	8.43	33.4	848	D
C43223	Gladiolus	1510.5	61	1.417	7136.147	C6500	5136.147	36AH	18.6	8.43	33.4	848	D
C43224	Coreopsis	1590.0	61	1.454	7138.156	C6500	5138.156	38AH	19.6	8.89	33.6	854	D
C43224	Dogwood	1590.0	91	1.454	7139.156	C6501	5139.156	38AH	19.6	8.89	33.6	854	D
C43225	Jessamine	1750.0	61	1.525	7140.162	C6600	5140.162	40AH	26.3	11.93	36.2	919	E
C43226	Cowslip	2000.0	91	1.630	7142.178C	C6700	5142.178	42AH	29.0	13.16	37.6	954	E
C43227	Sagebrush	2250.0	91	1.729	7144.181	C6700	5144.181	44AH	31.3	14.19	37.1	943	E
C43227	—	2300.0	61	1.750	7144.181	C6700	5144.181	44AH	31.1	14.19	37.1	943	E
C43227	—	2300.0	91	1.750	7144.181	C6700	5144.181	44AH	31.2	14.19	37.1	943	E
C43228	Lupine	2500.0	91	1.823	7144.188	C6700	5144.188	44AH	30.8	13.97	37.1	943	E
C43229	Bitterroot	2750.0	91	1.912	7148.197	C6800	5148.197	48AH	41.4	18.78	40.4	1027	E

Compression Dead Ends—43300 Series for AAC Conductor, Adjustable Clevis Type, Double Tongue



The 43300 Series Adjustable Clevis Dead End Assembly is specifically designed for AAC conductors. The aluminum body of the dead end is fabricated from AFL seamless drawn aluminum. The tongue and terminal pad are constructed with a 15° angle, which permits the terminal connector to be bolted in the straight or 30° position.

All dead ends are designed for full tension use, achieving a minimum of 95% of the ASTM rated strength of the conductor on which they are used. Each dead end assembly comes with a dead end body, adjustable steel clevis, two 15° terminals and aluminum hardware.

For die size sections 30AH and above, the end tapers of the compression portions of all compression accessories are supplied with a high voltage finish. Corona bolts are furnished as standard on 15° terminals for these section sizes.

The square edges of bolted pads on compression accessories could cause Corona in environments greater than or equal to 345 kV. Pads with edges and corners rounded can be supplied by adding the catalog suffix "EHV".

Ordering Instructions

Step 1: Assembly Catalog Number

Determine the assembly catalog number based on the conductor being used.

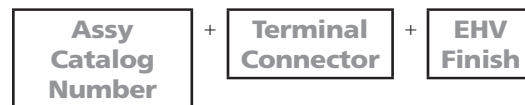
Step 2: Terminal Connector

For an assembly without a terminal connector, use 'NT'.
For an assembly with a terminal connector, leave blank.

Step 3: Extra High Voltage Finish

For Extra High Voltage Finish, use 'EHV'.
For Standard Finish, leave blank.

Step 4: Assemble Catalog Number.



Example:

For 795 Arbutus conductor with no terminal and EHV finish, the complete catalog number is:

C43317NTEHV

Notes:

1. Adjustable Clevis Dimensions are on page 120.
2. Pad Dimensions are on page 117.
3. AFL Filler Compound (AFC) Requirements are on page 115.
4. Installation Instructions for Dead Ends are on page 133.
5. Installation Instructions for Terminals are on page 131.

Compression Dead Ends—43300 Series for AAC Conductor, Adjustable Clevis Type, Double Tongue (cont.)

DEAD END ASSEMBLY CATALOG NUMBER	CODE WORD	CONDUCTOR			ALUMINUM BODY DOUBLE TONGUE	ADJUSTABLE STEEL CLEVIS	15° TERMINAL CONNECTOR	DIE SIZE	TOTAL WEIGHT		DIMENSION L		PAD SIZE
		SIZE	STRANDING	DIA.					ALUMINUM HEX DIE	LBS	KG	IN	
		KCMIL	AL	IN									
C43310	Daffodil	350.0	19	0.681	7220.719	C6100	5120.719	20AH	6.5	2.94	24.3	616	B
C43310	Gardenia	350.0	37	0.681	7220.719	C6100	5120.719	20AH	6.5	2.94	24.3	616	B
C43311	Canna	397.5	19	0.724	7220.812	C6100	5120.812	20AH	6.4	2.89	24.3	616	B
C43311	Goldentuft	450.0	19	0.772	7220.812	C6100	5120.812	20AH	6.4	2.89	24.3	616	B
C43311	Yarrow	450.0	37	0.772	7220.812	C6100	5120.812	20AH	6.4	2.89	24.3	616	B
C43311	Cosmos	477.0	19	0.795	7220.812	C6100	5120.812	20AH	6.4	2.89	24.3	616	B
C43311	Syringa	477.0	37	0.795	7224.875	C6100	5120.875	24AH	7.7	3.49	25.0	635	B
C43312	Cosmos	477.0	19	0.795	7224.875	C6100	5124.875	24AH	7.7	3.49	25.0	635	B
C43312	Syringa	477.0	37	0.795	7220.875	C6100	5124.875	24AH	7.7	3.49	25.0	635	B
C43312	Zinna	500.0	19	0.813	7224.875	C6100	5124.875	24AH	7.7	3.49	25.0	635	B
C43312	Hyacinth	500.0	37	0.813	7224.875	C6100	5124.875	24AH	8.1	3.68	25.1	638	B
C43313	Dahlia	556.5	19	0.858	7224.938C	C6200	5124.938	24AH	8.1	3.68	25.1	638	B
C43313	Mistletoe	556.5	37	0.858	7224.938C	C6200	5124.938	24AH	8.1	3.68	25.1	638	B
C43313	Meadowsweet	600.0	37	0.891	7224.938C	C6200	5124.938	24AH	8.1	3.68	25.1	638	B
C43314	Lotus	600.0	61	0.893	7224.938C	C6200	5124.938	24AH	8.0	3.63	25.1	638	B
C43314	Orchid	636.0	37	0.918	7224.969C	C6200	5124.969	24AH	8.0	3.63	25.1	638	B
C43314	Heuchera	650.0	37	0.928	7224.969C	C6200	5124.969	24AH	8.0	3.63	25.1	638	B
C43315	Verbena	700.0	37	0.963	7227.100	C6200	5127.100	27AH	10.2	4.63	27.4	695	D
C43316	Violet	715.5	37	0.975	7227.106	C6200	5127.106	27AH	10.1	4.58	27.4	695	D
C43316	Nasurtium	715.5	61	0.975	7227.106	C6200	5127.106	27AH	10.1	4.58	27.4	695	D
C43316	Petunia	750.0	37	0.998	7227.106	C6200	5127.106	27AH	10.1	4.58	27.4	695	D
C43316	Cattail	750.0	61	0.998	7227.106	C6200	5127.106	27AH	10.1	4.58	27.4	695	D
C43317	Arbutus	795.0	37	1.028	7230.109	C6300	5130.109	30AH	15.2	6.89	29.8	757	D
C43317	Lilac	795.0	61	1.028	7230.109	C6300	5130.109	30AH	15.2	6.89	29.8	757	D
C43317	—	800.0	37	1.031	7230.109	C6300	5130.109	30AH	15.2	6.89	29.8	757	D
C43317	Heliotrope	800.0	61	1.031	7230.109	C6300	5130.109	30AH	15.2	6.89	29.8	757	D
C43318	Cockscomb	900.0	37	1.094	7230.116	C6300	5130.116	30AH	15.3	6.94	30.8	783	D
C43318	Snapdragon	900.0	61	1.094	7230.116	C6300	5130.116	30AH	15.3	6.94	30.8	783	D
C43319	Magnolia	954.0	37	1.126	7230.122	C6400	5130.122	30AH	15.8	7.26	32.2	818	D
C43319	Goldenrod	954.0	61	1.126	7230.122	C6400	5130.122	30AH	15.8	7.26	32.2	818	D
C43319	Hawkweed	1000.0	37	1.152	7230.122	C6400	5130.122	30AH	15.0	7.26	32.2	818	D
C43319	Camellia	1000.0	61	1.152	7230.122	C6400	5130.122	30AH	15.0	7.26	32.2	818	D
C43319	Bluebell	1033.5	37	1.172	7230.122	C6400	5130.122	30AH	16.0	7.26	32.2	818	D
C43319	Larkspur	1033.5	61	1.172	7230.122	C6400	5130.122	30AH	16.0	7.26	32.2	818	D
C43320	Marigold	1113.0	61	1.216	7234.128	C6400	5134.128	34AH	18.1	8.21	32.0	813	D
C43321	Hawthorn	1192.5	61	1.258	7234.134	C6400	5134.134	34AH	17.8	8.08	32.4	824	D
C43321	Narcissus	1272.0	61	1.300	7234.134	C6400	5134.134	34AH	17.8	8.08	32.4	824	D
C43322	Columbine	1351.5	61	1.340	7236.144	C6500	5136.144	36AH	19.5	8.84	33.4	848	D
C43322	Carnation	1431.0	61	1.379	7236.144	C6500	5136.144	36AH	19.5	8.84	33.4	848	D
C43323	—	1500.0	91	1.412	7236.147	C6500	5136.147	36AH	19.4	8.79	33.4	848	D

AAC ACCESSORIES

Compression Dead Ends—43300 Series for AAC Conductor, Adjustable Clevis Type, Double Tongue (cont.)

DEAD END ASSEMBLY CATALOG NUMBER	CONDUCTOR CODE WORD	CONDUCTOR			ALUMINUM BODY DOUBLE TONGUE	ADJUSTABLE STEEL CLEVIS	15° TERMINAL CONNECTOR	DIE SIZE ALUMINUM HEX DIE	TOTAL WEIGHT		DIMENSION L		PAD SIZE
		SIZE KCMIL	STRANDING AL	DIA. IN					LBS	KG	IN	MM	
		C43323	Gladiolus	1510.5				61	1.417	7236.147	C6500	5136.147	
C43324	Coreopsis	1590.0	61	1.454	7238.156	C6500	5138.156	38AH	20.5	9.30	33.6	854	D
C43324	Dogwood	1590.0	91	1.454	7238.156	C6500	5138.156	38AH	20.5	9.30	33.6	854	D
C43325	Jessamine	1750.0	61	1.525	7240.162	C6600	5140.162	40AH	28.1	12.75	36.2	919	E
C43326	Cowslip	2000.0	91	1.630	7242.178C	C6700	5142.178	42AH	29.5	13.39	37.6	954	E
C43327	Sagebrush	2250.0	91	1.729	7244.181	C6700	5144.181	44AH	31.7	14.38	37.1	943	E
C43327	—	2300.0	61	1.750	7244.181	C6700	5144.181	44AH	31.5	14.38	37.1	943	E
C43327	—	2300.0	91	1.750	7244.181	C6700	5144.181	44AH	31.5	14.38	37.1	943	E
C43328	Lupine	2500.0	91	1.823	7244.188	C6700	5144.188	44AH	31.2	14.15	37.1	943	E
C43329	Bitterroot	2750.0	91	1.912	7248.197	C6800	5148.197	48AH	42.4	19.24	40.4	1027	E

AAC ACCESSORIES