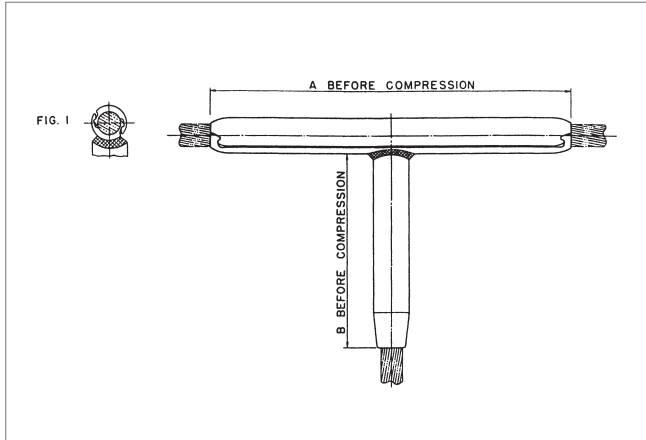


Tee Connector—5500 Series for AAC Conductors, Open Run



The 5500 Series Tee Connector is a permanent drop designed for AAC conductors. The tee connector is fabricated from AFL seamless drawn aluminum.

The run portion incorporates an improved design of interlocking extrusions, providing a permanent grip on the conductor when compressed.

The branch portion of the tee connector is designed for limited tension use, maintaining a minimum of 40% of the ASTM rated strength of the conductor on which it is being used.

For die size sections 30AH and above, the end tapers of the compression portions of all compression accessories are supplied with a high voltage finish.

Ordering Instructions

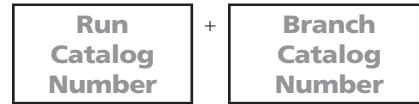
Step 1: Determine Run Catalog Number

Determine the run catalog number based on the conductor being used.

Step 2: Determine Branch Catalog Number

Determine the branch catalog number based on the conductor being used.

Step 3: Assemble Catalog Number



Example:

For 795 Arbutus conductor in both the Run and Branch, the complete catalog number is:

5530.3 – 30.109

Notes:

1. AFL Filler Compound (AFC) Requirements are on page 115.
2. Installation Instructions for Open Run Tee Connectors are on page 145.

Tee Connector—5500 Series for AAC Conductors, Open Run (cont.)

CODE WORD	CONDUCTOR			CATALOG NUMBER		DIE SIZE	WEIGHT				DIMENSIONS			
	SIZE	STRANDING	DIA.	RUN CONDUCTOR	BRANCH CONDUCTOR		RUN		BRANCH		A		B	
	KCMIL	AL	IN				LBS	KG	LBS	KG	IN	MM	IN	MM
Aster	2/0	7	0.414	5574	74.438	74AH	0.2	0.10	0.2	0.09	7.6	192	5.5	140
Phlox	3/0	7	0.464	5574	74.484	74AH	0.2	0.10	0.8	0.09	7.6	192	5.5	140
Oxlip	4/0	7	0.522	5575	75.547	75AH	0.4	0.18	0.3	0.14	8.6	217	6.0	152
Laurel	266.8	19	0.593	5575	75.609	75AH	0.4	0.18	0.3	0.14	8.6	217	6.0	152
Tulip	336.4	19	0.666	5576	76.688	76AH	0.7	0.30	0.5	0.23	10.0	254	6.5	165
Canna	397.5	19	0.724	5576	76.750	76AH	0.7	0.30	0.5	0.23	10.0	254	6.5	165
Goldentuft	450.0	19	0.770	5520.3	20.812	20AH	1.0	0.45	0.6	0.27	14.5	368	7.6	164
Yarrow	450.0	37	0.772	5520.3	20.812	20AH	1.0	0.45	0.6	0.27	14.5	368	7.6	164
Cosmos	477.0	19	0.793	5520.3	20.812	20AH	1.0	0.45	0.6	0.27	14.5	368	7.6	164
Syringa	477.0	37	0.795	5520.3	20.812	20AH	1.0	0.45	0.6	0.27	14.5	368	7.6	164
Cosmos	477.0	19	0.793	5524.3	24.875	24AH	1.7	0.77	0.8	0.36	15.5	394	8.3	210
Syringa	477.0	37	0.795	5524.3	24.875	24AH	1.7	0.77	0.8	0.36	15.5	394	8.3	210
Zinnia	500.0	19	0.811	5524.3	24.875	24AH	1.7	0.77	0.8	0.36	15.5	394	8.3	210
Hyacinth	500.0	37	0.813	5524.3	24.875	24AH	1.7	0.77	0.8	0.36	15.5	394	8.3	210
Dahlia	556.5	19	0.856	5524.3	24.938	24AH	1.7	0.77	0.8	0.36	15.5	394	8.3	210
Mistletoe	556.5	37	0.858	5524.3	24.938	24AH	1.7	0.77	0.8	0.36	15.5	394	8.3	210
Meadowsweet	600.0	37	0.891	5524.3	24.938	24AH	1.7	0.77	0.8	0.36	15.5	394	8.3	210
Orchid	636.0	37	0.918	5524.3	24.969	24AH	1.7	0.77	0.8	0.36	15.5	394	8.3	210
Heuchera	650.0	37	0.928	5524.3	24.969	24AH	1.7	0.77	0.8	0.36	15.5	394	8.3	210
Flag	700.0	61	0.964	5527.3	27.100	27AH	2.7	1.22	1.3	0.59	18.3	464	8.8	225
Violet	715.5	37	0.974	5527.3	27.106	27AH	2.7	1.22	1.3	0.59	18.3	464	8.8	225
Nasturtium	715.5	61	0.975	5527.3	27.106	27AH	2.7	1.22	1.3	0.59	18.3	464	8.8	225
Petunia	750.0	37	0.997	5527.3	27.106	27AH	2.7	1.22	1.3	0.59	18.3	464	8.8	225
Cattail	750.0	61	0.998	5527.3	27.106	27AH	2.7	1.22	1.3	0.59	18.3	464	8.8	225
Arbutus	795.0	37	1.026	5530.3	30.109	30AH	3.3	1.50	1.7	0.77	19.1	486	9.4	240
Lilac	795.0	61	1.028	5530.3	30.109	30AH	3.3	1.50	1.7	0.77	19.1	486	9.4	240
—	800.0	37	1.031	5530.3	30.109	30AH	3.3	1.50	1.7	0.77	19.1	486	9.4	240
Heliotrope	800.0	61	1.031	5530.3	30.109	30AH	3.3	1.50	1.7	0.77	19.1	486	9.4	240
Snapdragon	900.0	61	1.094	5530.3	30.116	30AH	3.3	1.50	1.7	0.77	19.1	486	9.4	240
Magnolia	954.0	37	1.124	5530.3	30.122	30AH	3.3	1.50	1.7	0.77	19.1	486	9.4	240
Goldenrod	954.0	61	1.126	5530.3	30.122	30AH	3.3	1.50	1.7	0.77	19.1	486	9.4	240
Camellia	1000.0	61	1.152	5530.3	30.122	30AH	3.3	1.50	1.7	0.77	19.1	486	9.4	240
Bluebell	1033.5	37	1.170	5530.3	30.122	30AH	3.3	1.50	1.7	0.77	19.1	486	9.4	240
Larkspur	1033.5	61	1.172	5530.3	30.122	30AH	3.3	1.50	1.7	0.77	19.1	486	9.4	240
Marigold	1113.0	61	1.216	5534.3	34.128	34AH	4.5	2.04	2.2	1.00	20.1	511	10.1	256
Hawthorn	1192.5	61	1.258	5534.3	34.134	34AH	4.5	2.04	2.2	1.00	20.1	511	10.1	256

AAC ACCESSORIES

Tee Connector—5500 Series for AAC Conductors, Open Run (cont.)

CODE WORD	CONDUCTOR			CATALOG NUMBER		DIE SIZE	WEIGHT				DIMENSIONS			
	SIZE	STRANDING	DIA.	RUN CONDUCTOR	BRANCH CONDUCTOR		RUN		BRANCH		A		B	
	KCMIL	AL	IN				LBS	KG	LBS	KG	IN	MM	IN	MM
Narcissus	1272.0	61	1.300	5534.3	34.134	34AH	4.5	2.04	2.2	1.00	20.1	511	10.1	256
Columbine	1351.0	61	1.340	5536.3	36.144	36AH	5.0	2.27	2.5	1.13	21.0	533	10.6	270
Carnation	1431.0	61	1.379	5536.3	36.144	36AH	5.0	2.27	2.5	1.13	21.0	533	10.6	270
—	1500.0	91	1.412	5536.3	36.147	36AH	5.0	2.27	2.5	1.13	21.0	533	10.6	270
Gladiolus	1510.5	61	1.187	5536.3	36.147	36AH	5.0	2.27	2.5	1.13	21.0	533	10.6	270
Coreopsis	1590.0	61	1.250	5538.3	38.156	38AH	5.9	2.68	3.0	1.36	21.9	556	11.2	284
Dogwood	1590.0	91	1.454	5538.3	38.156	38AH	5.9	2.68	3.0	1.36	21.9	556	11.2	284
Jessamine	1750.0	61	1.525	5540.3	40.162	40AH	6.6	2.99	3.4	1.54	22.8	578	11.8	298
Cowslip	2000.0	91	1.630	5542.3	42.178	42AH	7.7	3.49	3.9	1.77	23.6	600	12.4	314
Sagebrush	2250.0	91	1.729	5544.3	44.181	44AH	6.8	3.08	4.0	1.81	24.5	622	12.0	305
—	2300.0	61	1.750	5544.3	44.181	44AH	6.8	3.08	4.0	1.81	24.5	622	12.0	305
—	2300.0	91	1.750	5544.3	44.181	44AH	6.8	3.08	4.0	1.81	24.5	622	12.0	305
Lupine	2500.0	91	1.823	5544.3	44.188	44AH	6.8	3.08	4.0	1.81	24.5	622	12.0	305
Bitterroot	2750.0	91	1.912	5548.3	48.197	48AH	9.1	4.13	5.2	2.36	24.5	622	14.0	358

AAC ACCESSORIES