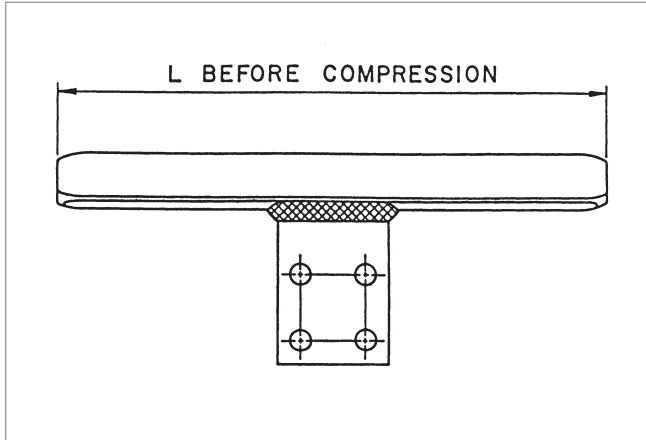


Tee Tap—5300 Series for AAC Conductors, Open Run



The 5300 Series Tee Tap is a permanent or temporary drop designed for AAC conductors. It is fabricated from AFL seamless drawn aluminum.

The run portion incorporates an improved design of interlocking extrusions, providing a permanent grip on the conductor when compressed.

For die size sections 30AH and above, the end tapers of the compression portions of all compression accessories are supplied with a high voltage finish.

Ordering Instructions

Step 1: Catalog Number

Determine the catalog number based on the conductor being used.

Step 2: Extra High Voltage Finish

For Extra High Voltage Finish, use 'EHV'.

For Standard Finish, leave blank.

Step 3: Assemble Catalog Number.



Example:

For 795 Arbutus conductor with EHV finish, the complete catalog number is:

5330.3EHV

Notes:

1. Pad Dimensions are on page 117.
2. AFL Filler Compound (AFC) Requirements are on page 115.
3. Bolt sizes and torque recommendations are on page 119.
4. Installation Instructions for Open Run Tee Taps are on page 144.

Tee Tap—5300 Series for AAC Conductors, Open Run (cont.)

TEE TAP CATALOG NUMBER	CODE WORD	CONDUCTOR			DIE SIZE	TOTAL WEIGHT		DIMENSION A		PAD SIZE
		SIZE	STRANDING	DIA.	ALUMINUM	LBS	KG	IN	MM	
		KCMIL	AL	IN	HEX DIE					
5374	Aster	2/0	7	0.414	74AH	0.5	0.20	7.6	192	B
5374	Phlox	3/0	7	0.464	74AH	0.5	0.20	7.6	192	B
5375	Oxlip	4/0	7	0.522	75AH	0.7	0.34	8.6	217	B
5375	Valerian	250.0	19	0.575	75AH	0.7	0.34	8.6	217	B
5375	Laurel	266.8	19	0.593	75AH	0.7	0.34	8.6	217	B
5376	Peony	300.0	19	0.629	76AH	1.1	0.50	10.0	254	B
5376	Tulip	336.4	19	0.666	76AH	1.1	0.50	10.0	254	B
5376	Daffodil	350.0	19	0.679	76AH	1.1	0.50	10.0	254	B
5376	Canna	397.5	19	0.724	76AH	1.1	0.50	10.0	254	B
5320.3	Goldentuft	450.0	19	0.770	20AH	1.2	0.54	12.5	318	B
5320.3	Yarrow	450.0	37	0.772	20AH	1.2	0.54	12.5	318	B
5320.3	Cosmos	477.0	19	0.793	20AH	1.2	0.54	12.5	318	B
5320.3	Syringa	477.0	37	0.795	20AH	1.2	0.54	12.5	318	B
5324.3	Cosmos	477.0	19	0.793	24AH	1.8	0.82	13.3	337	B
5324.3	Syringa	477.0	37	0.795	24AH	1.8	0.82	13.3	337	B
5324.3	Zinnia	500.0	19	0.811	24AH	1.8	0.82	13.3	337	B
5324.3	Hyacinth	500.0	37	0.813	24AH	1.8	0.82	13.3	337	B
5324.3	Dahlia	556.5	19	0.856	24AH	1.8	0.82	13.3	337	B
5324.3	Mistletoe	556.5	387	0.858	24AH	1.8	0.82	13.3	337	B
5324.3	Meadowsweet	600.0	37	0.891	24AH	1.8	0.82	13.3	337	B
5324.3	Orchid	636.0	37	0.918	24AH	1.8	0.82	13.3	337	B
5324.3	Heuchera	650.0	37	0.928	24AH	1.8	0.82	13.3	337	B
5327.3	Flag	700.0	61	0.964	27AH	3.0	1.36	15.3	387	D
5327.3	Violet	715.5	37	0.974	27AH	3.0	1.36	15.3	387	D
5327.3	Nasturtium	715.5	61	0.975	27AH	3.0	1.36	15.3	387	D
5327.3	Petunia	750.0	37	0.997	27AH	3.0	1.36	15.3	387	D
5327.3	Cattail	750.0	61	0.998	27AH	3.0	1.36	15.3	387	D
5330.3	Arbutus	795.0	37	1.026	30AH	3.4	1.54	16.8	425	D
5330.3	Lilac	795.0	61	1.028	30AH	3.4	1.54	16.8	425	D
5330.3	—	800.0	37	1.031	30AH	3.4	1.54	16.8	425	D
5330.3	Heliotrope	800.0	61	1.031	30AH	3.4	1.54	16.8	425	D
5330.3	Snapdragon	900.0	61	1.094	30AH	3.4	1.54	16.8	425	D
5330.3	Magnolia	954.0	37	1.124	30AH	3.4	1.54	16.8	425	D
5330.3	Goldenrod	954.0	61	1.126	30AH	3.4	1.54	16.8	425	D
5330.3	Camellia	1000.0	61	1.152	30AH	3.4	1.54	16.8	425	D
5330.3	Bluebell	1033.5	37	1.170	30AH	3.4	1.54	16.8	425	D
5330.3	Larkspur	1033.5	61	1.172	30AH	3.4	1.54	16.8	425	D
5334.3	Marigold	1113.0	61	1.216	34AH	4.5	2.04	17.8	451	D
5334.3	Hawthorn	1192.5	61	1.258	34AH	4.5	2.04	17.8	451	D
5334.3	Narcissus	1272.0	61	1.300	34AH	4.5	2.04	17.8	451	D

AAC ACCESSORIES

Tee Tap—5300 Series for AAC Conductors, Open Run (cont.)

TEE TAP CATALOG NUMBER	CONDUCTOR				DIE SIZE		TOTAL WEIGHT		DIMENSION A		PAD SIZE
	CODE WORD	SIZE	STRANDING	DIA.	ALUMINUM	LBS	KG	IN	MM		
		KCMIL	AL	IN	HEX DIE						
5336.3	Columbine	1351.0	61	1.340	36AH	4.7	2.13	18.5	470	D	
5336.3	Carnation	1431.0	61	1.379	36AH	4.7	2.13	18.5	470	D	
5336.3	—	1500.0	91	1.412	36AH	4.7	2.13	18.5	470	D	
5336.3	Gladiolus	1510.5	61	1.417	36AH	4.7	2.13	18.5	470	D	
5338.3	Coreopsis	1590.0	61	1.454	38AH	5.3	2.40	19.0	483	D	
5338.3	Dogwood	1590.0	91	1.454	38AH	5.3	2.40	19.0	483	D	
5340.3	Jessamine	1750.0	61	1.525	40AH	6.1	2.77	19.5	495	D	
5342.3	Cowslip	2000.0	91	1.630	42AH	7.7	3.49	21.0	533	E	
5344.3	Sagebrush	2250.0	91	1.729	44AH	9.7	4.40	22.8	576	E	
5344.3	—	2300.0	61	1.750	44AH	9.7	4.40	22.8	576	E	
5344.3	—	2300.0	91	1.750	44AH	9.7	4.40	22.8	576	E	
5344.3	Lupine	2500.0	91	1.823	44AH	9.7	4.40	22.8	576	E	
5348.3	Bitterroot	2750.0	91	1.912	48AH	10.6	4.81	24.0	610	E	
5344.3	—	2300.0	91	1.750	44AH	9.7	4.40	22.8	576	E	
5344.3	Lupine	2500.0	91	1.823	44AH	9.7	4.40	22.8	576	E	
5348.3	Bitterroot	2750.0	91	1.913	48AH	10.6	4.81	24.0	610	E	

AAC ACCESSORIES