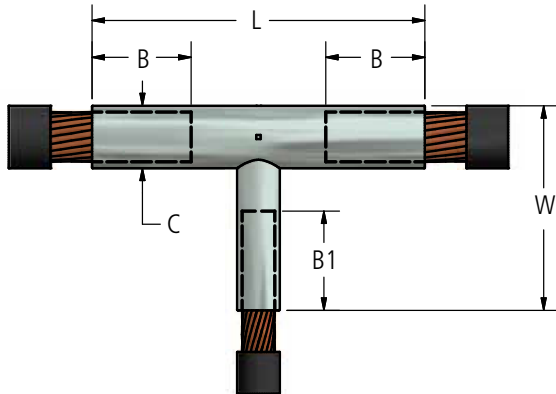


DOSSERT®

Type CRT Compression Tee Coupler

A tee coupler for joining two cables on the run and taking off a right angle tap at the junction. Made of high conductivity copper and completely tin plated. The round run and tap sections make for an easy and neat taping job. Other sizes than those listed can be readily furnished upon request.



Ordering Information

CATALOG NUMBER	CABLE SIZE		NO. OF INDENTS B/B1	DIMENSIONS IN INCHES				
	RUN D	TAP D1		B	B1	C*	L	W
CTR10-2	1/0 STR	6 STR	1/1	1 7/16	1 1/8	17/32	3 11/16	2
CTR10-4	1/0 STR	4 STR	1/1	1 7/16	1 1/8	17/32	3 3/4	2
CTR10-6	1/0 STR	2 STR	1/1	1 7/16	1 1/4	17/32	3 13/16	2 1/8
CTR10-8	1/0 STR	1 STR	1/1	1 7/16	1 7/16	17/32	3 7/8	2 1/4
CTR10-10	1/0 STR	1/0 STR	1/1	1 7/16	1 7/16	17/32	3 7/8	2 1/4
CTR13-2	2/0 STR	6 STR	1/1	1 1/2	1 1/8	9/16	3 11/16	2
CTR13-4	2/0 STR	4 STR	1/1	1 1/2	1 1/8	9/16	3 3/4	2
CTR13-6	2/0 STR	2 STR	1/1	1 1/2	1 1/4	9/16	3 13/16	2 1/8
CTR13-8	2/0 STR	1 STR	1/1	1 1/2	1 7/16	9/16	3 7/8	2 1/4
CTR13-10	2/0 STR	1/0 STR	1/1	1 1/2	1 7/16	9/16	3 7/8	2 1/4
CTR13-13	2/0 STR	2/0 STR	1/1	1 1/2	1 1/2	9/16	3 15/16	2 5/16
CTR21-4	4/0 STR	4 STR	1/1	1 5/8	1 1/8	11/16	3 15/16	2 1/8
CTR21-6	4/0 STR	2 STR	1/1	1 5/8	1 1/4	11/16	4 1/16	2 1/4
CTR21-8	4/0 STR	1 STR	1/1	1 5/8	1 7/16	11/16	4 1/16	2 3/8
CTR21-10	4/0 STR	1/0 STR	1/1	1 5/8	1 7/16	11/16	4 1/8	2 3/8
CTR21-13	4/0 STR	2/0 STR	1/1	1 5/8	1 1/2	11/16	4 3/16	2 7/16
CTR21-21	4/0 STR	4/0 STR	1/1	1 5/8	1 5/8	11/16	4 1/4	2 1/2
CTR25-4	250 MCM	4 STR	1/1	1 5/8	1 1/8	3/4	3 7/8	2 1/4
CTR25-6	250 MCM	2 STR	1/1	1 5/8	1 1/4	3/4	4	2 3/8
CTR25-8	250 MCM	1 STR	1/1	1 5/8	1 7/16	3/4	4	2 7/16
CTR25-10	250 MCM	1/0 STR	1/1	1 5/8	1 7/16	3/4	4 1/16	2 7/16
CTR25-13	250 MCM	2/0 STR	1/1	1 5/8	1 1/2	3/4	4 1/8	2 1/2
CTR25-21	250 MCM	4/0 STR	1/1	1 5/8	1 5/8	3/4	4 3/16	2 9/16

DOSSERT®

Type CRT Compression Tee Coupler

CATALOG NUMBER	CABLE SIZE		NO. OF INDENTS B/B1	DIMENSIONS IN INCHES				
	RUN D	TAP D1		B	B1	C*	L	W
CTR25-25	250 MCM	250 MCM	1/1	1 5/8	1 5/8	3/4	4 1/4	2 9/16
CTR30-6	300 MCM	2 STR	2-1	2 1/16	1 1/4	13/16	5 3/16	2 3/8
CTR30-8	300 MCM	1 STR	2-1	2 1/16	1 7/16	13/16	5 5/16	2 7/16
CTR30-10	300 MCM	1/0 STR	2-1	2 1/16	1 7/16	13/16	5 5/16	2 7/16
CTR30-13	300 MCM	2/0 STR	2-1	2 1/16	1 1/2	13/16	5 5/16	2 1/2
CTR30-21	300 MCM	4/0 STR	2-1	2 1/16	1 5/8	13/16	5 7/16	2 9/16
CTR30-25	300 MCM	250 MCM	2-1	2 1/16	1 5/8	13/16	5 1/2	2 9/16
CTR30-30	300 MCM	300 MCM	2-2	2 1/16	2 1/16	13/16	5 9/16	3 1/8
CTR35-6	350 MCM	2 STR	2-1	2 1/16	1 1/4	7/8	5 3/16	2 7/16
CTR35-8	350 MCM	1 STR	2-1	2 1/16	1 7/16	7/8	5 5/16	2 5/8
CTR35-10	350 MCM	1/0 STR	2-1	2 1/16	1 7/16	7/8	5 5/16	2 9/16
CTR35-13	350 MCM	2/0 STR	2-1	2 1/16	1 1/2	7/8	5 5/16	2 9/16
CTR35-21	350 MCM	4/0 STR	2-1	2 1/16	1 5/8	7/8	5 7/16	2 5/8
CTR35-25	350 MCM	250 MCM	2-1	2 1/16	1 5/8	7/8	5 1/2	2 5/8
CTR35-30	350 MCM	300 MCM	2-2	2 1/16	2 1/16	7/8	5 9/16	3 1/4
CTR35-35	350 MCM	350 MCM	2-2	2 1/16	2 1/16	7/8	5 5/8	3 1/4
CTR40-10	400 MCM	1/0 STR	2-1	2 1/8	1 7/16	31/32	5 5/16	2 5/8
CTR40-13	400 MCM	2/0 STR	2-1	2 1/8	1 1/2	31/32	5 5/16	2 5/8
CTR40-21	400 MCM	4/0 STR	2-1	2 1/8	1 5/8	31/32	5 7/16	2 11/16
CTR40-25	400 MCM	250 MCM	2-1	2 1/8	1 5/8	31/32	5 1/2	2 11/16
CTR40-30	400 MCM	300 MCM	2-2	2 1/8	2 1/16	31/32	5 9/16	3 3/16
CTR40-35	400 MCM	350 MCM	2-2	2 1/8	2 1/16	31/32	5 5/8	3 3/16
CTR40-40	400 MCM	400 MCM	2-2	2 1/8	2 1/8	31/32	5 5/8	3 1/4
CTR50-10	500 MCM	1/0 STR	2-1	2 1/4	1 7/16	1 1/16	5 11/16	2 3/4
CTR50-13	500 MCM	2/0 STR	2-1	2 1/4	1 1/2	1 1/16	5 11/16	2 3/4
CTR50-21	500 MCM	4/0 STR	2-1	2 1/4	1 5/8	1 1/16	5 13/16	2 13/16
CTR50-25	500 MCM	250 MCM	2-1	2 1/4	1 5/8	1 1/16	5 7/8	2 13/16
CTR50-30	500 MCM	300 MCM	2-2	2 1/4	2 1/16	1 1/16	5 15/16	3 7/16
CTR50-35	500 MCM	350 MCM	2-2	2 1/4	2 1/16	1 1/16	6	3 7/16
CTR50-40	500 MCM	400 MCM	2-2	2 1/4	2 1/8	1 1/16	6 1/16	3 1/2
CTR50-50	500 MCM	500 MCM	2-2	2 1/4	2 1/4	1 1/16	6 3/16	3 5/8

* Diameter over run barrel.