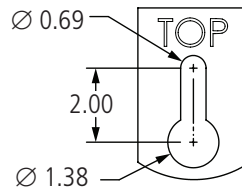
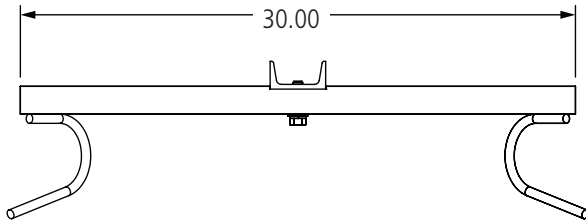
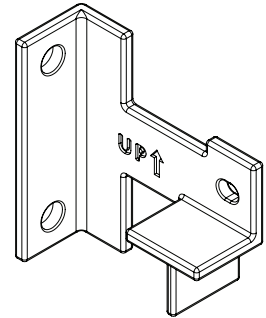


Installation Instructions

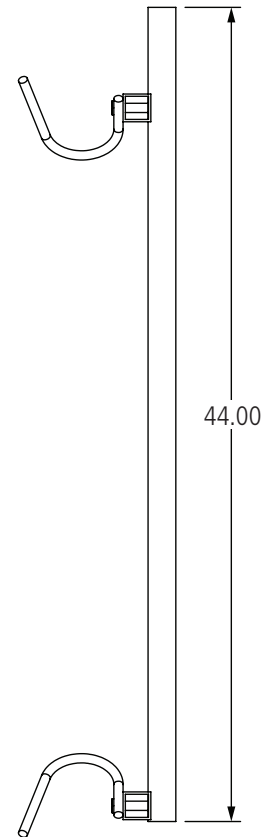
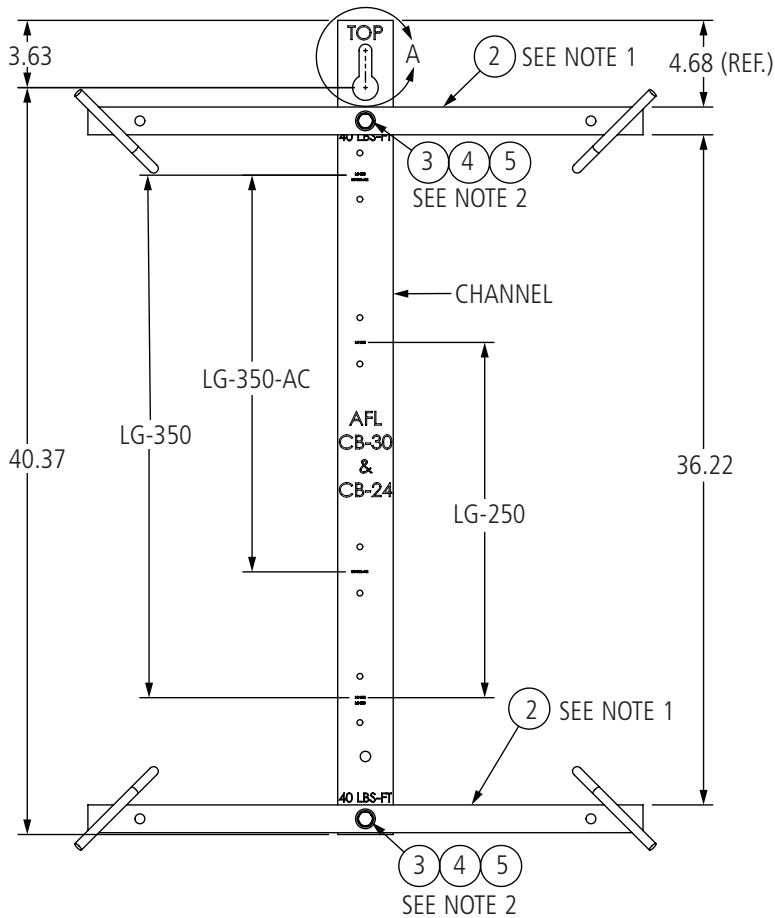
CB-30-3AL Coil Storage Bracket with LGBR-30 Enclosure Bracket



DETAIL A



LGBR-30

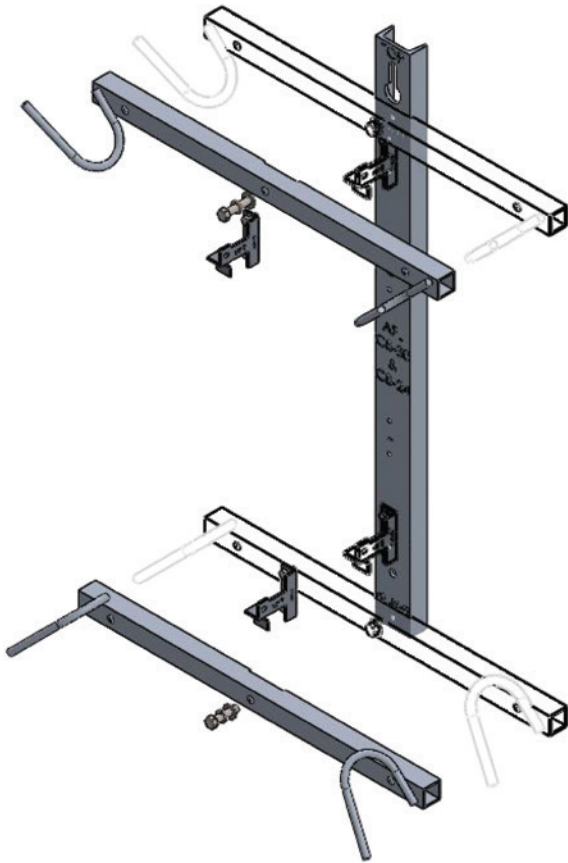


NOTES

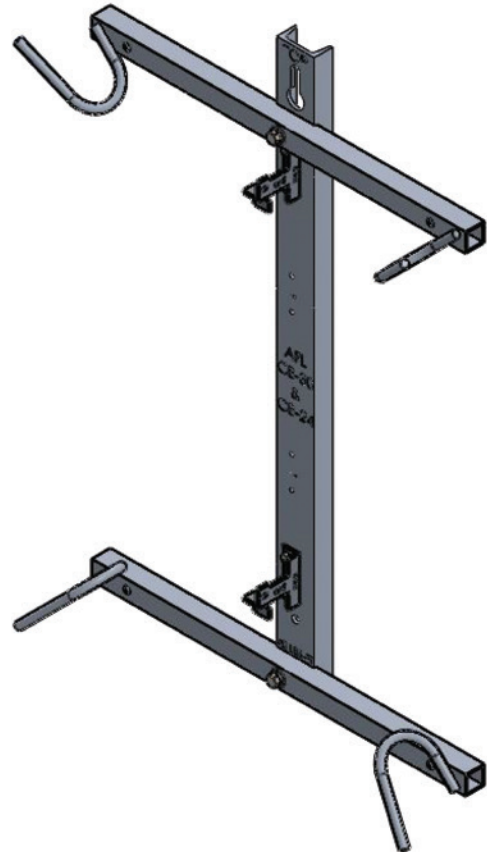
1. Place square tube assemblies in location as shown.
2. Stainless steel bolts to be torqued to 40 lbs-ft.
3. Coil bracket must be assembled as shown using all components to achieve proper cable bending radius.
4. Install LGBR-30 bracket using appropriate mounting holes as shown.

Installation Instructions (cont.)

CB-30-3AL Coil Storage Bracket with LGBR-30 Enclosure Bracket



EXPLODED VIEW
SEE NOTE 1



ISOMETRIC VIEW