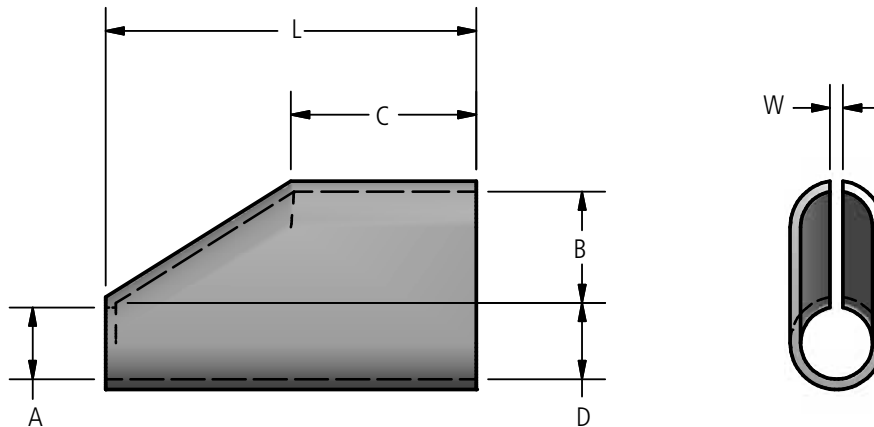


## DOSSERT®

### Type DPSS Half Duplex Solder Connector

A tinned copper connector for splicing and tapping a continuous run available for a wide range of cable sizes. The following table covers connectors with A, B, and D equal. Other combinations and wire sizes can be readily furnished upon request.



#### Ordering Information

CATALOG NUMBER	CABLE SIZE	DIMENSIONS IN INCHES					
		B & D	C	A	L	T	W
DPSS2	#6	.378	3/4	.189	1 1/2	.035	.050
DPSS4	#4	.474	1	.237	2 1/2	.040	.070
DPSS5	#3	.530	1	.265	2 1/2	.050	.070
DPSS6	#2	.544	1	.297	2 1/2	.050	.070
DPSS8	#1	.674	1	.337	2 1/2	.060	.070
DPSS10	1/0	.756	1	.378	2 1/2	.072	.070
DPSS13	2/0	.846	1	.423	2 1/2	.072	.070
DPSS17	3/0	0.95	1	.475	2 1/2	.080	.070
DPSS21	4/0	1.066	1 1/4	.533	2 1/2	.090	.120
DPSS25	250	1.162	1 1/4	.581	2 1/2	.098	.120
DPSS30	300	1.270	1 1/4	.635	2 1/2	.115	.120
DPSS35	350	1.380	1 1/4	.690	2 1/2	.115	.120
DPSS40	400	1.480	1 1/2	.740	3	.123	.175
DPSS45	450	1.568	1 1/2	.784	3	.138	.175
DPSS50	500	1.652	1 1/2	.826	3	.138	.175
DPSS55	550	1.736	1 1/2	.868	3	.143	.175
DPSS60	600	1.812	1 3/4	.906	3 1/2	.150	.175
DPSS65	650	1.896	1 3/4	.948	3 1/2	.150	.175
DPSS75	750	2.036	1 3/4	1.018	3 1/2	.169	.220
DPSS80	800	2.104	2	1.052	4	.179	.220
DPSS85	850	2.166	2	1.083	4	.179	.220