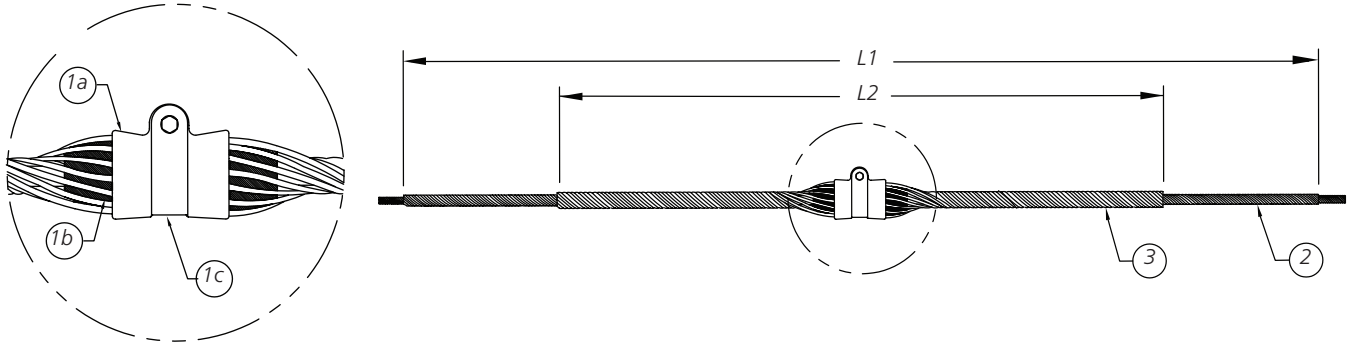


Double Layer Formed Wire Suspension for OPGW



Features

- Single suspension for line or elevation angle changes up to 30°
- Slip load initially 10% to 20% of standard OPGW rated breaking strength
- Suspension components cannot be reused

Item	Description	Material
1a,c	Suspension Housing	Aluminum Alloy
1b	Insert (2 Halves)	Elastomer
2	Reinforcing Rods (SRR)	Aluminum Alloy
3	Outer Support Rods	Aluminum Alloy

Ordering Information

AFL NO.	DIAMETER RANGE		SRR "L1"		OUTER RODS "L2"	
	(IN.)	(MM)	IN.	(M)		
OSU354/381C	0.354	0.381	8.9	9.6	66 (1.68)	42 (1.07)
OSU382/398C	0.382	0.398	9.7	10.1	66 (1.68)	42 (1.07)
OSU399/418C	0.399	0.418	10.2	10.6	66 (1.68)	42 (1.07)
OSU419/439C	0.419	0.439	10.7	11.1	67 (1.70)	42 (1.07)
OSU440/458C	0.44	0.458	11.2	11.6	68 (1.73)	43 (1.09)
OSU459/461C	0.459	0.461	11.7	11.7	72 (1.83)	46 (1.17)
OSU462/476C	0.462	0.476	11.8	12	72 (1.83)	46 (1.17)
OSU477/503C	0.477	0.503	12.1	12.7	73 (1.85)	46 (1.17)
OSU504/511C	0.504	0.511	12.8	12.9	76 (1.93)	46 (1.17)
OSU512/536C	0.512	0.536	13	13.6	76 (1.93)	49 (1.24)
OSU537/559C	0.537	0.559	13.7	14.1	77 (1.96)	49 (1.24)
OSU560/565C	0.56	0.565	14.2	14.3	77 (1.96)	49 (1.24)
OSU566/573C	0.566	0.573	14.4	14.5	79 (2.01)	54 (1.37)
OSU574/598C	0.574	0.598	14.6	15.1	79 (2.01)	54 (1.37)
OSU599/625C	0.599	0.625	15.2	15.8	81 (2.06)	54 (1.37)
OSU626/632C	0.626	0.632	15.9	16	94 (2.39)	63 (1.60)
OSU633/666C	0.633	0.666	16.1	16.9	94 (2.39)	63 (1.60)
OSU667/682C	0.667	0.682	17	17.3	94 (2.39)	63 (1.60)
OSU683/710C	0.683	0.71	17.4	18	94 (2.39)	63 (1.60)
OSU711/728C	0.711	0.728	18.1	18.4	94 (2.39)	63 (1.60)
OSU729/744C	0.729	0.744	18.5	18.8	94 (2.39)	63 (1.60)
OSU745/750C	0.745	0.75	18.9	18.9	94 (2.39)	63 (1.60)
OSU751/786C	0.751	0.786	19	19.9	94 (2.39)	63 (1.60)
OSU787/814C	0.787	0.814	20	20.6	100 (2.54)	72 (1.83)
OSU815/845C	0.815	0.845	20.7	21.4	100 (2.54)	72 (1.83)
OSU846/855C	0.846	0.855	21.5	21.6	100 (2.54)	72 (1.83)
OSU856/894C	0.856	0.894	21.7	22.6	100 (2.54)	80 (2.03)
OSU895/907C	0.895	0.907	22.7	22.9	100 (2.54)	80 (2.03)
OSU908/916C	0.908	0.916	23	23.2	100 (2.54)	80 (2.03)
OSU917/929C	0.917	0.929	23.3	23.5	100 (2.54)	80 (2.03)
OSU930/942C	0.93	0.942	23.6	23.9	100 (2.54)	80 (2.03)
OSU943/977C	0.943	0.977	24	24.7	100 (2.54)	80 (2.03)