

Download Clamps for OPGW and ADSS

AFL Download Clamps are used to guide Optical Ground Wire from the top of the structure to the splice box. AFL's Download Clamps install easily and provide proper spacing and hold strength without damage to the cable. From poles to towers, AFL offers a full line of OPGW Download Clamps to meet the needs of any application.



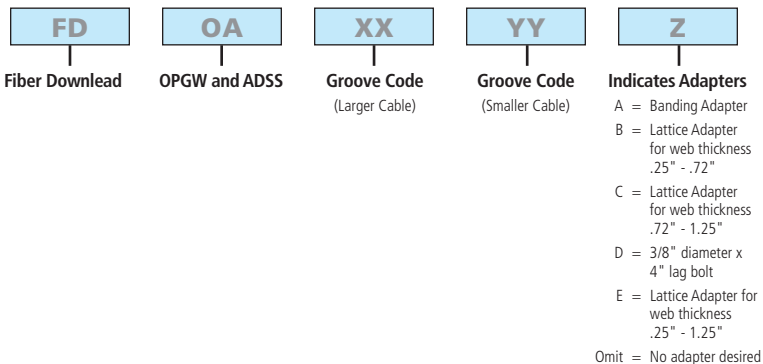
Download Clamp shown with Adapter B

Features

- Slip strength: >100 lbs.
- Lattice adapters provided with break-away bolts for precise torque during installation
- Steel tower guide clamps available with adapters to eliminate the need for drilling
- Banding adapters available

Ordering Information – Download Clamp & Adapter

GROOVE CODE	OPGW DIAMETER (inches)	COLOR CODE
B4	0.350 - 0.500	Red
B5	0.501 - 0.600	Green
B6	0.601 - 0.700	Yellow
B7	0.701 - 0.800	Blue
B8	0.801 - 0.900	White
B9	0.901 - 1.000	Black
B10	1.001 - 1.100	Orange

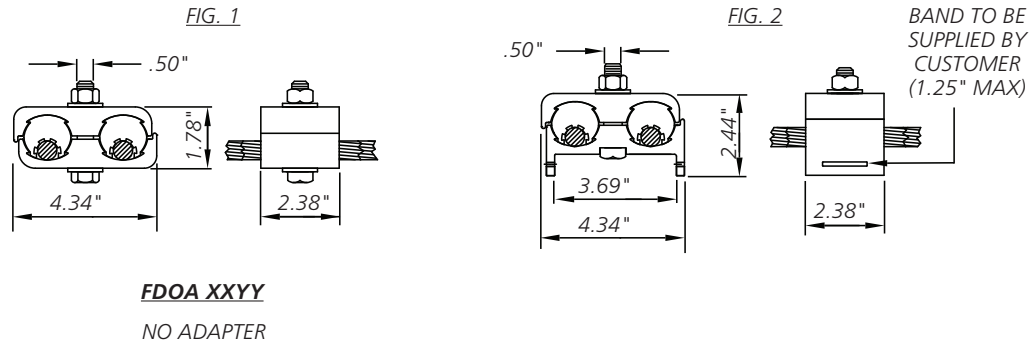


Ordering Example: For .528" dia. OPGW and .484 ADSS with pole banding (Type A), the part number is FDOA-B4B5A.

NOTES: 1. See next page for optional download clamp adapters.
2. For installation instructions, see page 143.

Downlead Clamps for OPGW

Dimensions



Downlead Clamp Adapters

