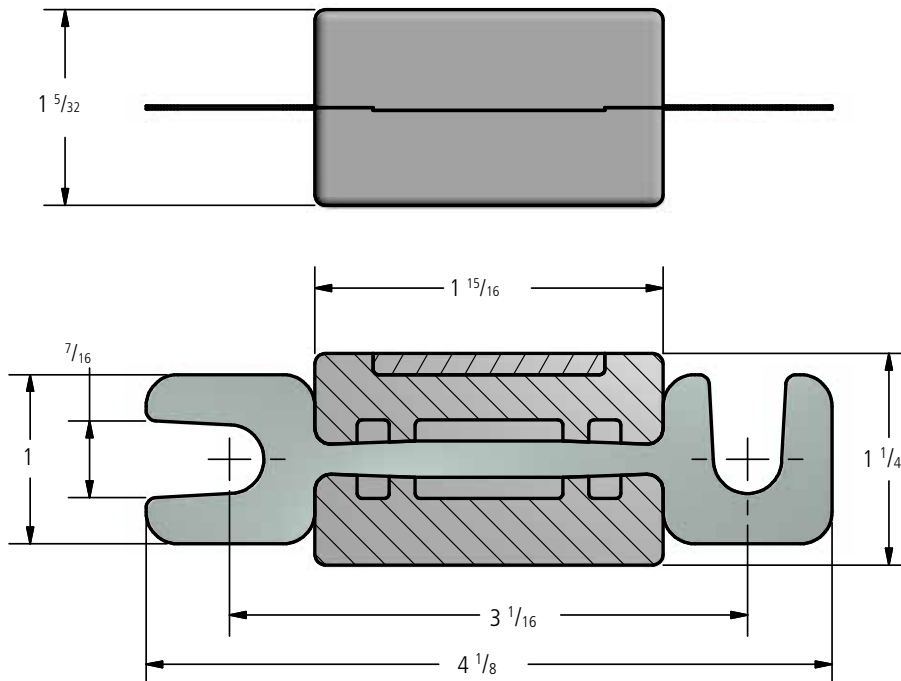
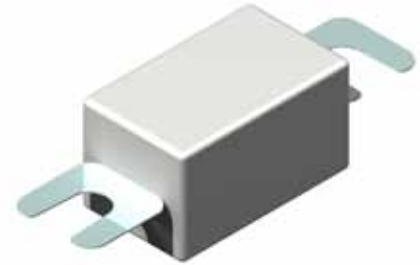


## DOSSERT®

### Type F Limiter Link for Renewable Limiters

A pure copper fusible link with a predetermined time-current characteristic cemented into a shell to make a complete arc proof limiter assembly. A close control of tolerance of the dimensions of the fusible section assures accurate and uniform performance of each rated size.



### Ordering Information

| CATALOG NUMBER | CABLE SIZE |
|----------------|------------|
| F50            | 50         |
| F75            | 75         |
| F100           | 100        |
| F150           | 150        |
| F200           | 200        |
| F250           | 250        |
| F300           | 300        |
| F400           | 400        |
| F500           | 500        |