



FDCT-4D

FDCT Series Flat Drop Cable Tangent/Download

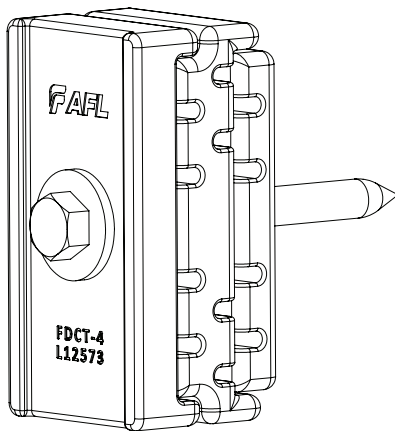
The Flat Drop Cable Tangent accessory provides a means of suspending the flat drop cable to structures where termination is undesirable. The accessory can also be used in download applications to guide flat drop cables from the top of the structure to the splice box.

Features

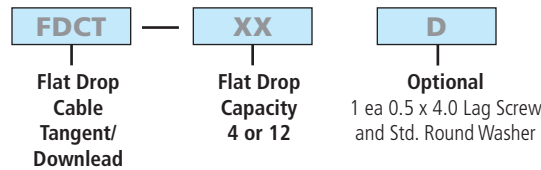
- Compressive elastomer material protects cable jacket
- Lag screw attachment hardware kit available
- Can be banded or bolted in download applications

Ordering Information

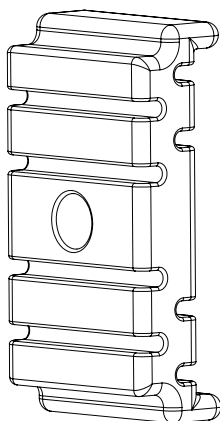
AFL NO.	FLAT DROP CAPACITY	HARDWARE INCLUDED
FDCT-4	up to 4	—
FDCT-12	up to 12	—
FDCT-4D	up to 4	Lag screw hardware kit
FDCT-12D	up to 12	Lag screw hardware kit



FDCT-12D



Ordering Example: To hold up to 12 flat drop cables, with lag screw hardware kit included, order part number FDCT-12D.



FDCT-5-12

Adapter may be ordered separately for increase in flat drop count

