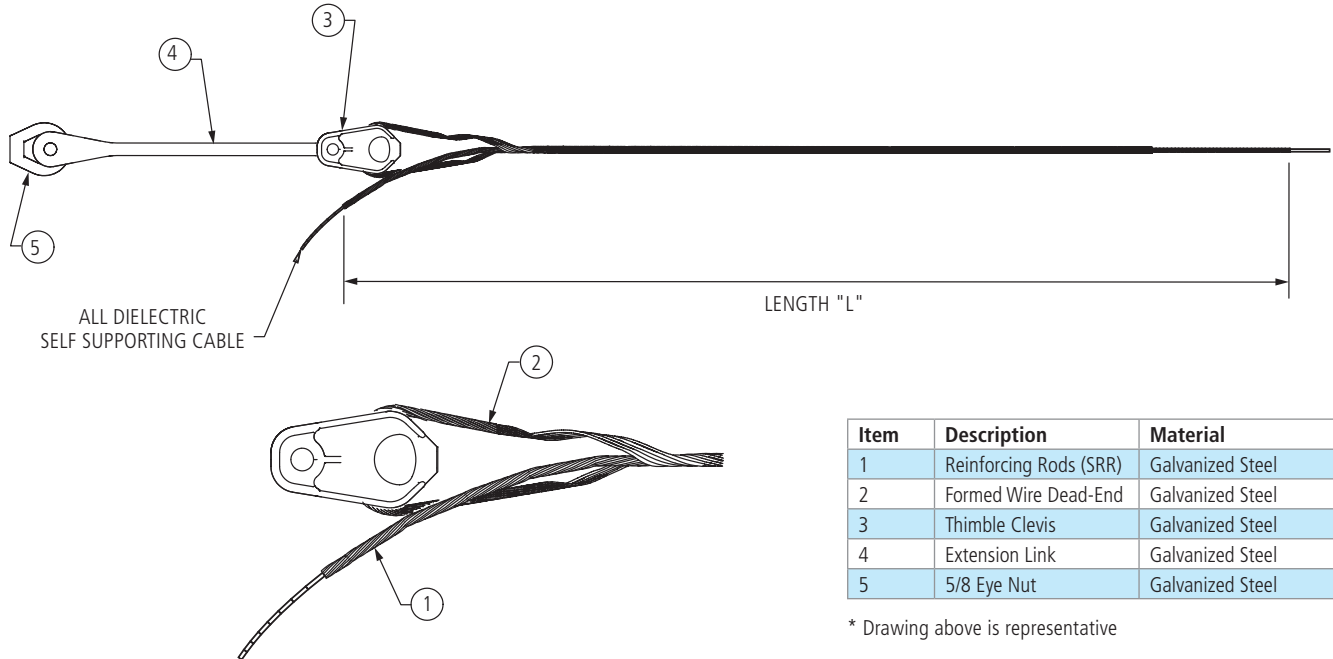


Limited Tension Formed Wire Dead End for ADSS Cable



Item	Description	Material
1	Reinforcing Rods (SRR)	Galvanized Steel
2	Formed Wire Dead-End	Galvanized Steel
3	Thimble Clevis	Galvanized Steel
4	Extension Link	Galvanized Steel
5	5/8 Eye Nut	Galvanized Steel

* Drawing above is representative

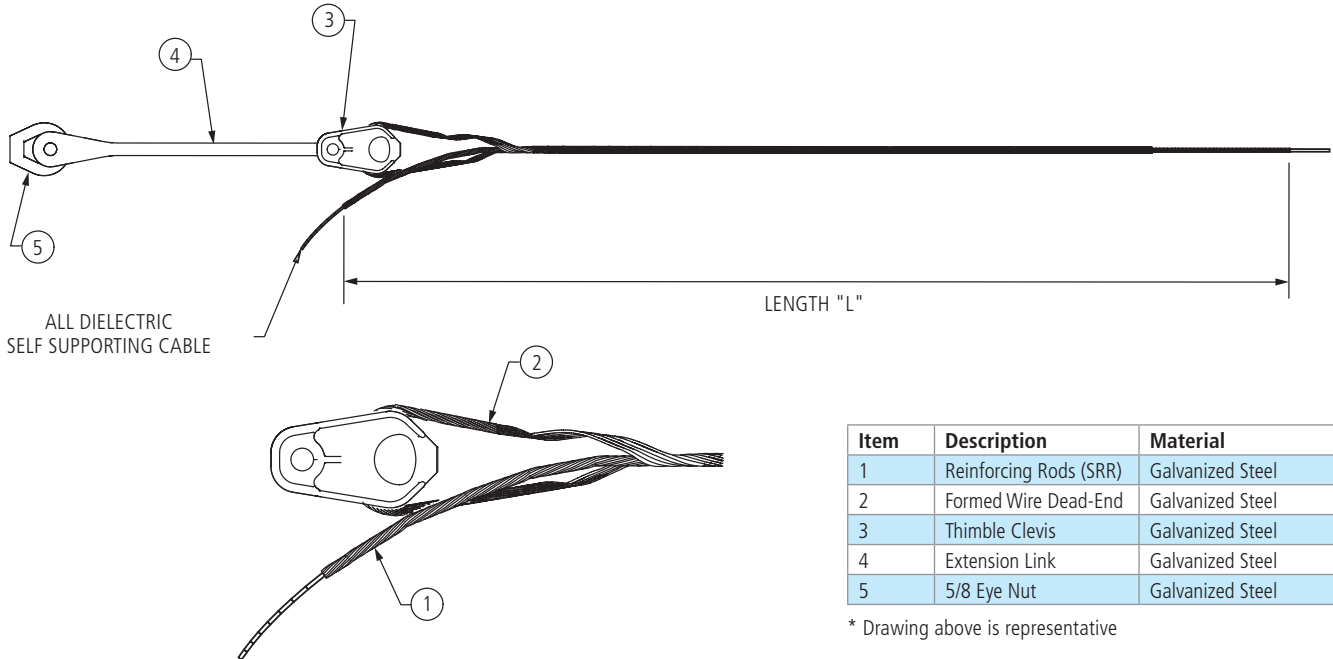
Features

- Components strength—6,500 lbs.
- Maximum initial tension—up to 1,000 lbs.
- Maximum loaded tension—up to 2,500 lbs.
- Dead End component cannot be reused
- Contact AFL for track-resistant ADSS application

Ordering Information

AFL NO.	CABLE OD (IN)	CABLE OD (MM)	LENGTH "L" IN (M)	COLOR CODE
ADESE400/424C	.400-.424	10.1-10.7	48 (1.2)	Black
ADESE425/451C	.425-.451	10.7-11.4	48 (1.2)	Yellow
ADESE452/481C	.452-.481	11.4-12.2	48 (1.2)	Green
ADESE482/510C	.482-.510	12.2-12.9	48 (1.2)	Orange
ADESE511/542C	.511-.542	12.9-13.7	48 (1.2)	Blue
ADESE543/577C	.543-.577	13.7-14.6	48 (1.2)	White
ADESE578/613C	.578-.613	14.6-15.5	48 (1.2)	Red
ADESE614/651C	.614-.651	15.5-16.5	48 (1.2)	Black
ADESE652/692C	.652-.692	16.6-17.5	48 (1.2)	Yellow
ADESE693/737C	.693-.737	17.5-18.7	48 (1.2)	Green
ADESE738/784C	.738-.784	18.7-19.9	48 (1.2)	Orange
ADESE785/834C	.785-.834	19.9-21.1	48 (1.2)	Blue
ADESE835/889C	.835-.889	21.2-21.5	48 (1.2)	White
ADESE890/945C	.890-.945	22.6-24.0	48 (1.2)	Red
ADESE946/1007C	.946-1.007	24.0-25.5	48 (1.2)	Black
ADESE1008/1073C	1.008-1.073	25.6-27.2	60 (1.5)	Yellow
ADESE1074/1140C	1.074-1.140	27.2-28.9	60 (1.5)	Green
ADESE1141/1212C	1.141-1.212	28.9-30.7	60 (1.5)	Orange
ADESE1213/1288C	1.213-1.288	30.8-32.5	60 (1.5)	Blue

Medium Tension Dead End for ADSS Cable



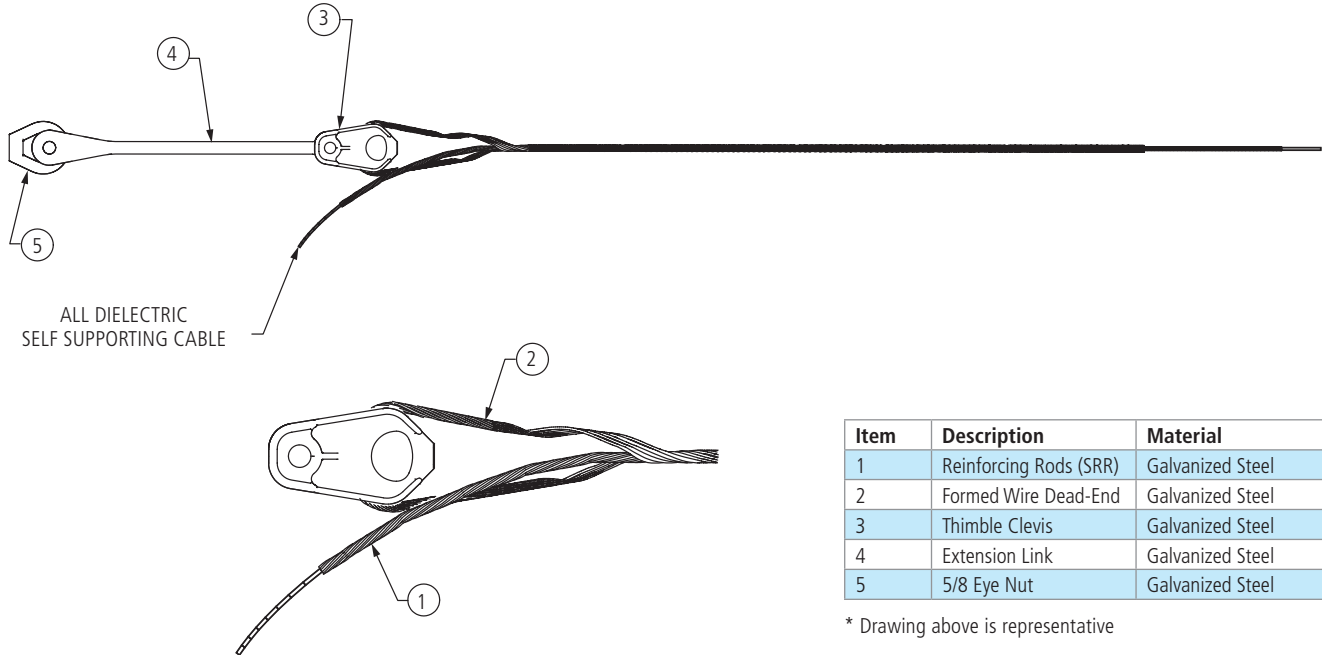
Features

- Component strength—6,500 lbs.
- Maximum initial tension—up to 2,000 lbs.
- Maximum loaded tension—up to 4,000 lbs.
- Dead end component cannot be reused
- Contact AFL for track-resistant ADSS application

Ordering Information

AFL NO.	CABLE OD (IN)	CABLE OD (MM)	LENGTH "L" IN (M)	COLOR CODE
ADEME482/510C	.482-.510	12.2-12.9	85(2.2)	Orange
ADEME511/542C	.511-.542	12.9-13.7	85(2.2)	Blue
ADEME543/577C	.543-.577	13.7-14.6	85(2.2)	White
ADEME578/613C	.578-.613	14.6-15.5	85(2.2)	Red
ADEME614/651C	.614-.651	15.5-16.5	85(2.2)	Black
ADEME652/692C	.652-.692	16.5-17.5	85(2.2)	Yellow
ADEME693/737C	.693-.737	17.6-18.7	85(2.2)	Green
ADEME738/784C	.738-.784	18.7-19.9	85(2.2)	Orange
ADEME785/834C	.785-.834	19.9-21.1	90(2.3)	Blue
ADEME835/889C	.835-.889	21.2-22.5	90(2.3)	White
ADEME890/945C	.890-.945	22.6-24.0	95(2.4)	Red
ADEME946/1007C	.946-1.007	24.0-25.5	95(2.4)	Black
ADEME1008/1073C	1.008-1.073	25.6-27.2	97(2.5)	Purple
ADEME1074/1140C	1.074-1.140	27.2-28.9	100(2.5)	Pink
ADEME1141/1212C	1.141-1.212	28.9-30.7	103(2.6)	Brown
ADEME1213/1288C	1.213-1.288	30.8-32.5	105(2.7)	Orange

Semi-High Tension Dead End for ADSS Cable



Item	Description	Material
1	Reinforcing Rods (SRR)	Galvanized Steel
2	Formed Wire Dead-End	Galvanized Steel
3	Thimble Clevis	Galvanized Steel
4	Extension Link	Galvanized Steel
5	5/8 Eye Nut	Galvanized Steel

* Drawing above is representative

Features

- Components strength—15,000 lbs.
- Maximum initial tension—up to 4,000 lbs.
- Maximum loaded tension—up to 7,500 lbs.
- Dead end component cannot be reused
- Contact AFL for Length Information and track-resistant ADSS application
- Lengths range from 100" to 134"

Ordering Information

AFL NO.	CABLE OD (IN)	CABLE OD (MM)	COLOR CODE
ADELE511/542C	.511-.542	12.9-13.7	Blue
ADELE543/577C	.543-.577	13.7-14.6	White
ADELE578/613C	.578-.613	14.6-15.5	Red
ADELE614/651C	.614-.651	15.5-16.5	Black
ADELE652/692C	.652-.692	16.5-17.5	Yellow
ADELE693/737C	.693-.737	17.6-18.7	Green
ADELE738/784C	.738-.784	18.7-19.9	Orange
ADELE785/834C	.785-.834	19.9-21.1	Blue
ADELE835/889C	.835-.889	21.2-22.5	White
ADELE890/945C	.890-.945	22.6-24.0	Red
ADELE946/1007C	.946-1.007	24.0-25.5	Black
ADELE1008/1073C	1.008-1.073	25.6-27.2	Purple
ADELE1074/1140C	1.074-1.140	27.2-28.9	Pink
ADELE1141/1212C	1.141-1.212	28.9-30.7	Brown
ADELE1213/1288C	1.213-1.288	30.8-32.5	Orange