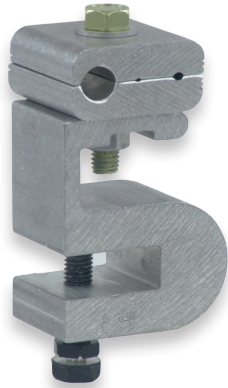


Guide Clamps for OPGW



Guide Clamp Shown with Adaptor

The Guide Clamp is used to guide OPGW cable down steel towers, steel poles, concrete poles and wood poles to splice locations. The Guide Clamps may be bolted to the tower or poles. Additionally, adapters are available for the steel towers and steel & concrete poles.

Guide Clamps are typically two groove clamps spaced five to eight feet apart to help maintain alignment of and support the OPGW down the towers or poles.

Features

- Hardware is high strength aluminum
- Clamp grooves are coated with NO-OX-ID and prefilled with Alnox.
- Recommended bolt torque: 25 ft.-lbs.

Ordering Information

O	GC	XX	YY	Z	M
OPGW	Guide Clamp	Groove Code (Larger Cable)	Groove Code (Smaller Cable)	Indicates Adapters A = Banding Adapter B = Lattice Adapter for web thickness .25" - .72" C = Lattice Adapter for web thickness .72" - 1.25" Omit = No adapter desired	Hardware M = Metric

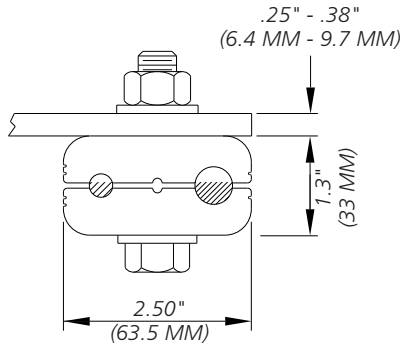
GROOVE CODE	GROOVE RANGE (inches)
A1	.112" - .126"
B1	.127" - .141"
C1	.142" - .156"
D1	.157" - .171"
E1	.172" - .186"
F1	.187" - .201"
G1	.202" - .216"
H1	.217" - .231"
J1	.232" - .246"
K1	.247" - .261"
L1	.262" - .276"
M1	.277" - .291"
N1	.292" - .306"
P1	.307" - .321"
Q1	.322" - .336"
R1	.337" - .351"
S1	.352" - .366"

GROOVE CODE	GROOVE RANGE (inches)
T1	.367" - .381"
U1	.382" - .396"
V1	.397" - .411"
W1	.412" - .424"
X1	.425" - .440"
Y1	.441" - .454"
Z1	.455" - .464"
A2	.465" - .480"
B2	.481" - .495"
C2	.496" - .510"
D2	.511" - .525"
E2	.526" - .540"
F2	.541" - .555"
G2	.556" - .570"
H2	.571" - .585"
J2	.586" - .600"
K2	.601" - .615"

GROOVE CODE	GROOVE RANGE (inches)
L2	.616" - .630"
M2	.631" - .645"
N2	.646" - .660"
P2	.661" - .675"
Q2	.676" - .690"
R2	.691" - .705"
S2	.706" - .720"
T2	.721" - .735"
U2	.736" - .750"
V2	.751" - .765"
W2	.766" - .780"
X2	.781" - .795"
Y2	.796" - .810"
Z2	.811" - .825"
A3	.826" - .840"
B3	.841" - .855"

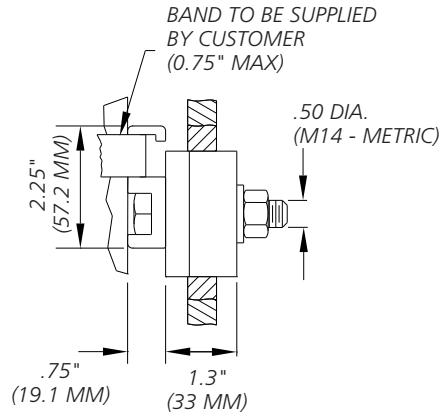
Guide Clamps for OPGW

Guide Clamps and Optional Guide Clamp Adapters



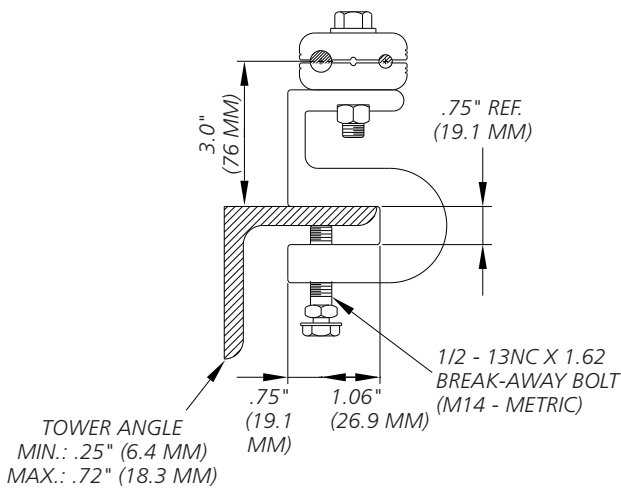
OGCXXYY

No Adapter



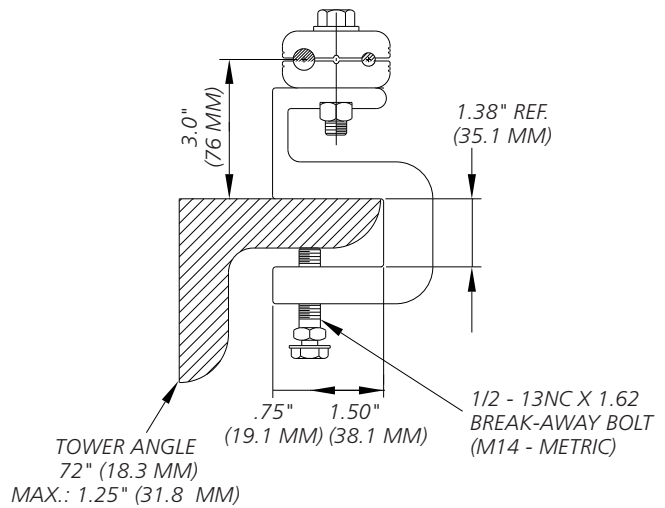
OGCXXYYA

TYPE A ADAPTER
(BANDING)
EST. WT.: .96 LBS.
(.44 KG)



OGCXXYYB

TYPE B ADAPTER (LATTICE)
EST. WT.: 1.98 LBS. (.90
KG)



OGCXXYYC

TYPE C ADAPTER (LATTICE)
EST. WT.: 2.20 LBS. (1.00 KG)