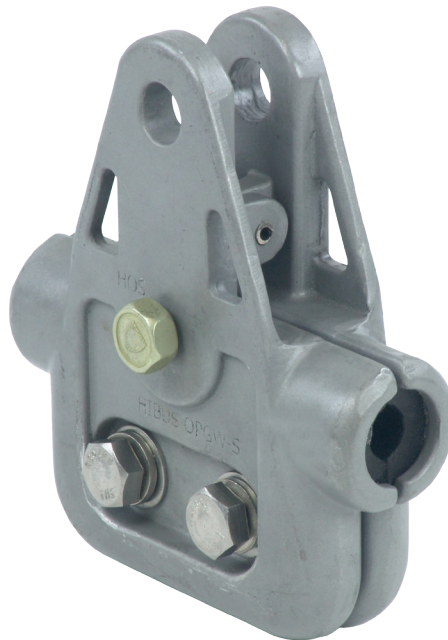


Installation Procedure for HIBUS[®] HOS Series Optical Ground Wire Suspension Clamp

(Assembly Reference B9346)

**NOTE:**

EXCEPT AS MAY BE OTHERWISE PROVIDED BY CONTRACT, THESE DRAWINGS AND/OR SPECIFICATIONS ARE THE PROPERTY OF AFL, ARE ISSUED IN STRICT CONFIDENCE, AND SHALL NOT BE REPRODUCED OR COPIED OR USED AS THE BASIS FOR MANUFACTURE OR SALE OF PRODUCT WITHOUT PERMISSION.

Preparation

Prior to making connection, the accessory must be clean. Check accessory groove(s) and bushings for foreign particles, removing if present.

Installation

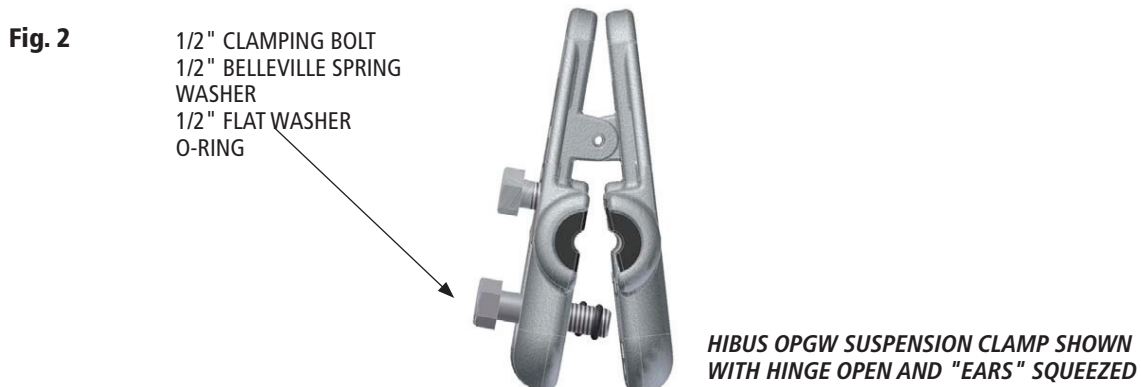
HIBUS Optical Ground Wire (OPGW) Suspension Clamp Assembly Installation Parts List:

ITEM	DESCRIPTION	MATERIAL	QTY
-	HIBUS OPGW Suspension Assembly	-	-
1-1	HIBUS OPGW Suspension Clamp – RH	Aluminum	1
1-2	HIBUS OPGW Suspension Clamp – LH	Aluminum	1
2	1/2" Clamping Bolt	Stainless Steel	2
3	1/2" Belleville Spring Washer	Stainless Steel	2
4	1/2" Flat Washer	Stainless Steel	2
5	Bushings	Elastomer	4
6	O-Rings – Bolt Retainer	BUNA-N	2
7	5/8" Attachment Clevis Pin	Galvanized Steel	1
8	Cotter Pin	Stainless Steel	1
9	1/2" Grounding Bolt	Aluminum	1
-	Bonding Wire Assembly – supplied by Customer	-	-
-	Clevis Eye – supplied by Customer	-	-

1. Remove attachment hardware from HIBUS OPGW Suspension Clamp as shown in **Fig. 1**.

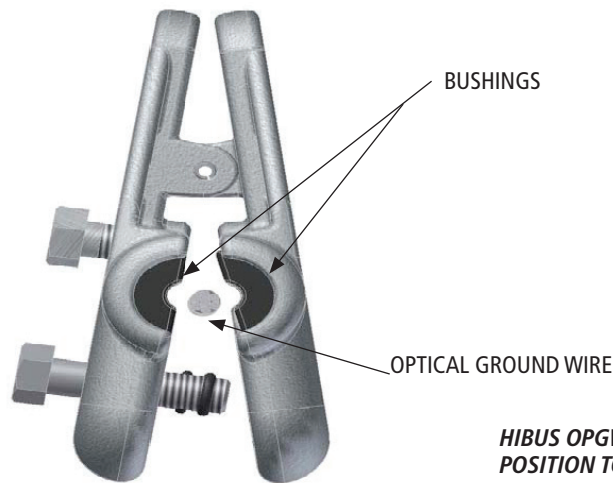


2. Loosen Clamping Bolts (items 2, 3, 4 and 6) to allow the HIBUS OPGW Suspension Clamp to hinge open. Squeeze the "ears" (top of the HIBUS Suspension Clamp) to open as shown in **Fig. 2**.



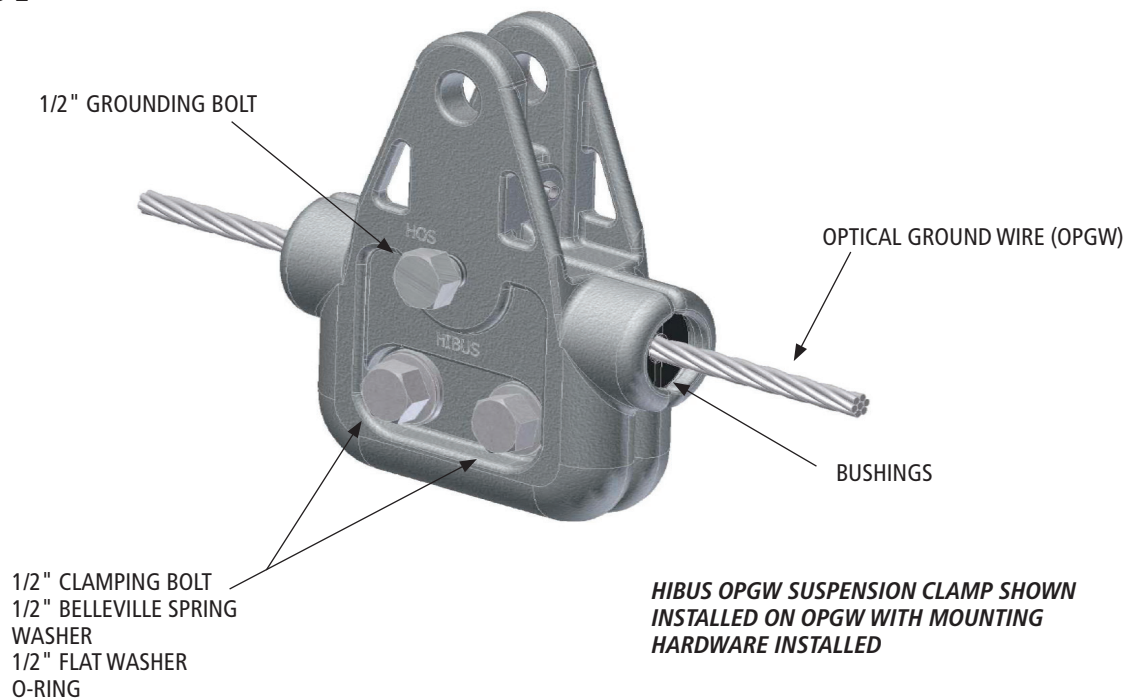
3. Position HIBUS OPGW Suspension Clamp to align the groove bushing's to encapsulate optical ground wire as shown in **Fig. 3-1**. Squeeze the bottom of the HIBUS Suspension Clamp to close the clamp around the optical ground wire as shown in **Fig. 3-2**. Visually inspect Suspension Clamp to ensure that the assembly [groove-bushings (both ends)] and optical ground wire are not cocked or misaligned.
4. Install Clamping Bolts (items 2, 3, 4, and 6) into the HIBUS Suspension Clamp. Hand tighten mounting hardware to engage threads with the Suspension Clamp. Alternate tightening to ensure HIBUS OPGW Suspension Clamp is not misaligned as shown in **Fig. 3-2**.

Fig. 3-1



HIBUS OPGW SUSPENSION CLAMP SHOWN IN POSITION TO ENCAPSULATE CONDUCTOR

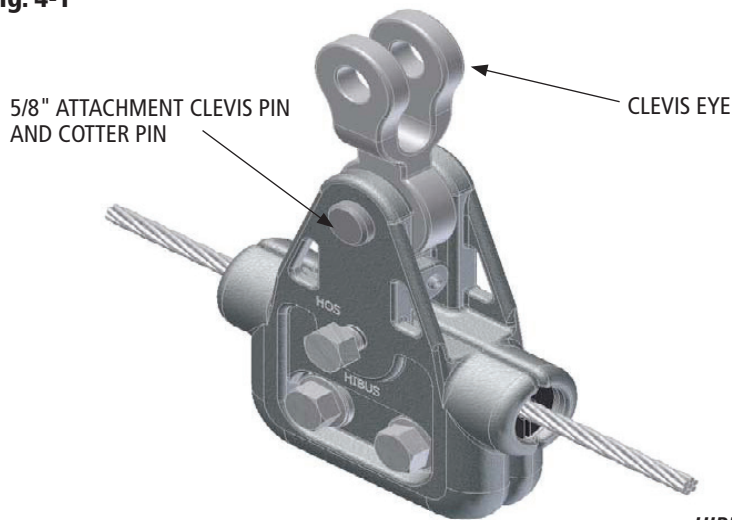
Fig. 3-2



HIBUS OPGW SUSPENSION CLAMP SHOWN INSTALLED ON OPGW WITH MOUNTING HARDWARE INSTALLED

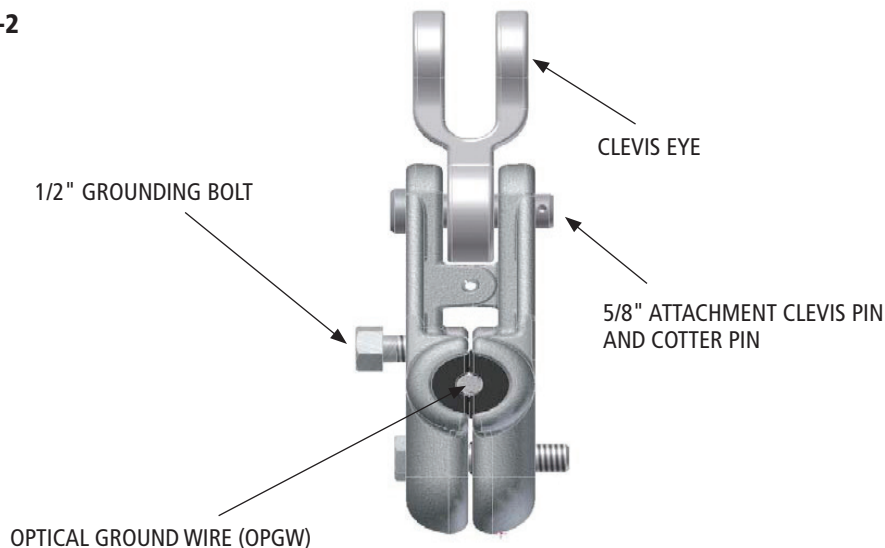
5. Torque Clamping Bolts (item 2) on HIBUS OPGW Suspension Clamp in 5 ft-lb. increments alternating the tightening until 40 ft-lbs. have been achieved on each.
6. Install HIBUS Suspension Clamp Assembly to Clevis Eye with Attachment Hardware (items 7 & 8) as shown in **Fig. 4-1**.
7. Make final visual inspection on HIBUS OPGW Suspension Clamp to ensure that the assembly [groove-bushings (both ends)] and ground wire, are not cocked or misaligned, but properly seated.
8. Loosen and remove Grounding Bolt (item 9) from the HIBUS OPGW Suspension Clamp to allow the grounding bolt to be free. Install the Grounding Bolt thru the connector on the Bonding Wire Assembly or equivalent. Hand tighten hardware to engage the threads of the Suspension Clamp until both Grounding Bolt and Bonding Wire Assembly are flush with "face" of Suspension Clamp.

Fig. 4-1



HIBUS OPGW SUSPENSION CLAMP ASSEMBLY AS INSTALLED. NOTE: CLEVIS EYE—TYPE SCE SHOWN—CUSTOMER SUPPLIED HARDWARE.

Fig. 4-2



HIBUS OPGW SUSPENSION CLAMP ASSEMBLY AS INSTALLED. NOTE: CLEVIS EYE—TYPE SCE SHOWN—CUSTOMER SUPPLIED HARDWARE.