

## HIBUS® Series OPGW Suspension

The Hinged Bushing Suspension is designed to reduce the static and dynamic stress at the attachment point on all types of OPGW fiber cables without the use of protective rods. Eliminating the need for the rods was achieved by the use of a unique bushing system that allows the OPGW cable to better withstand the effects of aeolian vibration. Test results have proven its ability to provide superior protection for your fiber system. The hinged concept on the suspension configuration provides self alignment of the housing halves. All of the hardware is captive except for the attachment pin.

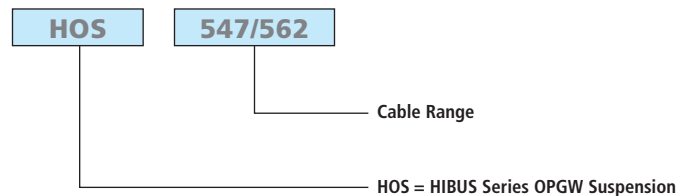
Test reports available include vibration test, slip test, ultimate strength and angle test.

Clamp rated slip load at 20% of RBS for cables with less than 25,000 lbs breaking load. Contact AFL for slip rating on cables greater than 25,000 lbs RBS.

### Features

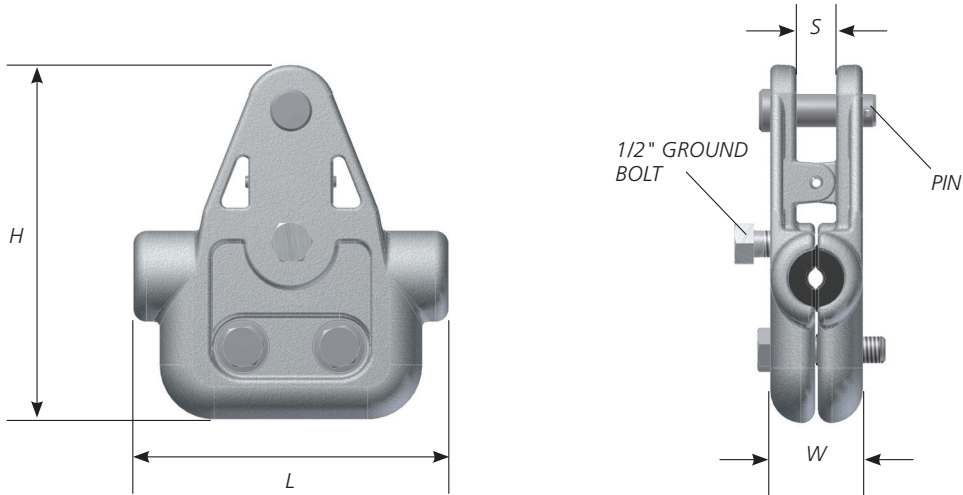
- Self-aligning housing halves
- Stress relief bushing system
- Aluminum clamp body with captive stainless steel mounting bolts
- Galvanized steel mounting pin with cotter pin
- Line angles up to 20° for single unit, up to 40° for two units using an 18" yoke plate.

### Ordering Information



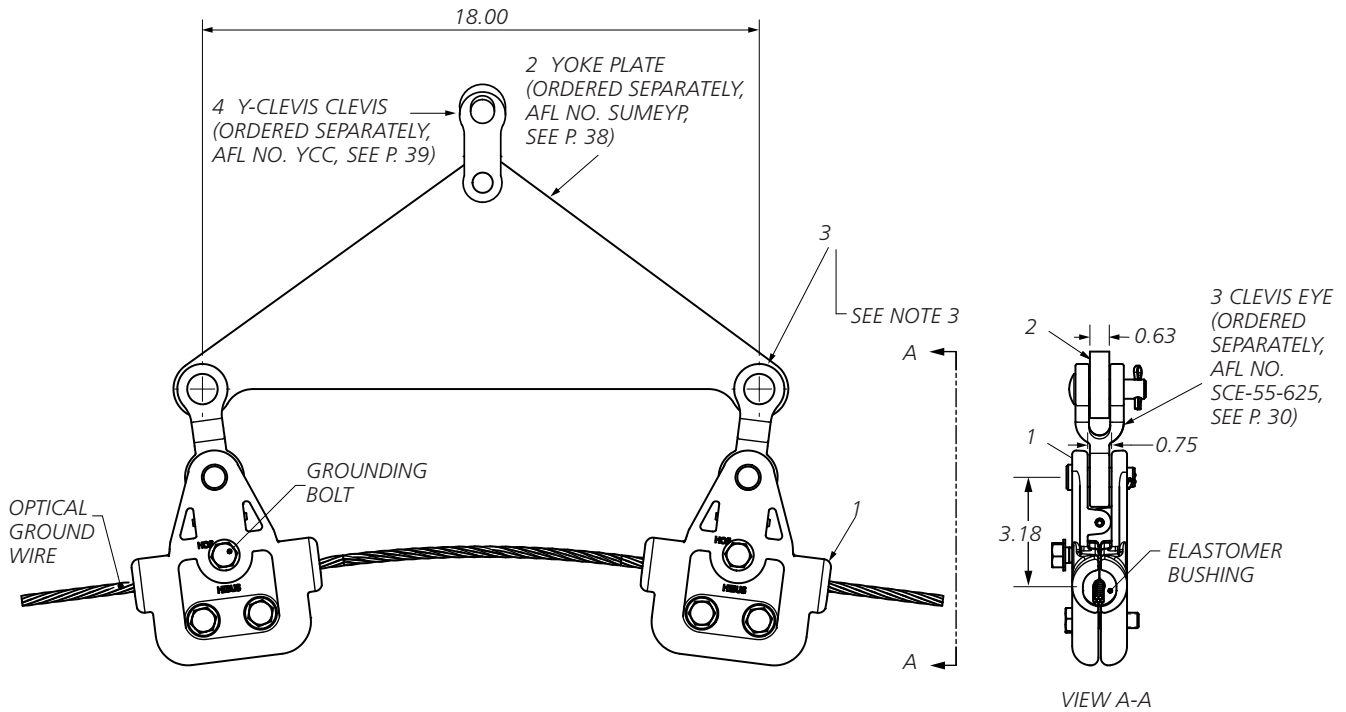
**ORDERING EXAMPLE:** For a HIBUS Series OPGW Suspension with a .547"-.562" cable range, the part number is HOS547/562.

## HIBUS® Series OPGW Suspension



AFL NO.	RANGE (IN)		RANGE (MM)		LENGTH (L)	HEIGHT (H)	WIDTH (W)	CLEVIS WIDTH (S)	WEIGHT (LBS)	VERT. LOAD RATING (LBS)	PIN SIZE
	MIN	MAX	MIN	MAX							
HOS335/345	0.335	0.345	8.51	8.76	6.1"	6.8"	1.75"	.75"	3.4	20,000	.625" x 2.00"
HOS346/360	0.346	0.360	8.77	9.14							
HOS361/375	0.361	0.375	9.15	9.53							
HOS376/390	0.376	0.390	9.54	9.91							
HOS391/406	0.391	0.406	9.92	10.31							
HOS407/418	0.407	0.418	10.32	10.62							
HOS419/434	0.419	0.434	10.63	11.02							
HOS435/448	0.435	0.448	11.03	11.38							
HOS449/465	0.449	0.465	11.39	11.81							
HOS466/480	0.466	0.480	11.82	12.19							
HOS481/500	0.481	0.500	12.20	12.70							
HOS501/516	0.501	0.516	12.71	13.11							
HOS517/531	0.517	0.531	13.12	13.49							
HOS532/546	0.532	0.546	13.50	13.87							
HOS547/562	0.547	0.562	13.88	14.27							
HOS563/577	0.563	0.577	14.28	14.66							
HOS578/584	0.578	0.584	14.67	14.83							
HOS585/599	0.585	0.599	14.84	15.21							
HOS600/614	0.600	0.614	15.22	15.60							
HOS615/629	0.615	0.629	15.61	15.98							
HOS630/644	0.630	0.644	15.99	16.36							
HOS645/659	0.645	0.659	16.37	16.74							
HOS660/666	0.660	0.666	16.75	16.92							
HOS667/681	0.667	0.681	16.93	17.30							
HOS682/696	0.682	0.696	17.31	17.68							
HOS697/711	0.697	0.711	17.69	18.06							
HOS712/726	0.712	0.726	18.07	18.44							
HOS727/741	0.727	0.741	18.45	18.82							
HOS742/750	0.742	0.750	18.83	19.05							

## HIBUS OPGW Double Suspension Configuration Assemblies



### Bill of Material

ITEM	DESCRIPTION	AFL OR DWG. NO.	REQ'D
1	HIBUS OPGW Suspension Clamp Assembly	HOS XXX/XXX	2
2	Yoke Plate	SUMEYP	1
3	Clevis Eye	SCE-55-625	2
4	Y-Clevis Clevis	YCC	1

### Strength Rating Information

- HIBUS OPGW [OPTICAL GROUND WIRE] SUSPENSION CLAMP - ITEM (1) ULTIMATE STRENGTH RATING: 20,000 LBS.
- HIBUS OPGW [OPTICAL GROUND WIRE] SUSPENSION CLAMP RATED SLIP LOAD @ 20% OF RTS FOR CABLES WITH LESS THAN 25,000 BREAKING LOAD. CONTACT AFL FOR SLIP LOAD RATING ON CABLES GREATER THAN 25,000 LBS. RTS.
- ATTACHMENT HARDWARE:
  - YOKE PLATE - ITEM (2) - ULTIMATE STRENGTH RATING: 40,000 LBS.
  - CLEVIS EYE - ITEM (3) - ULTIMATE STRENGTH RATING: 25,000 LBS.
  - Y-CLEVIS CLEVIS - ITEM (4) - ULTIMATE STRENGTH RATING: 30,000 LBS.
- MAX LINE ANGLE IS 40 DEGREES.