



### HIBUS® Series OPGW Trunnion

The HIBUS Trunnion is designed to reduce the static and dynamic stress at the attachment point on all types of OPGW fiber cables without the use of protective rods. Eliminating the need for the rods was achieved by the use of a unique bushing system that allows the OPGW cable to better withstand the effects of aeolian vibration. Test results have proven its ability to provide superior protection for your fiber system. All of the hardware is captive except for attachment pin.

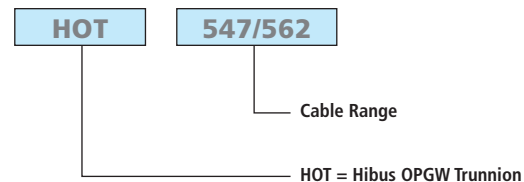
Test reports available include vibration test, slip test, ultimate strength, and angle test.

Clamp rated slip load at 20% of RBS for cables with less than 25,000 lbs breaking load. Contact AFL for slip rating on cables greater than 25,000 lbs RBS.

#### Features

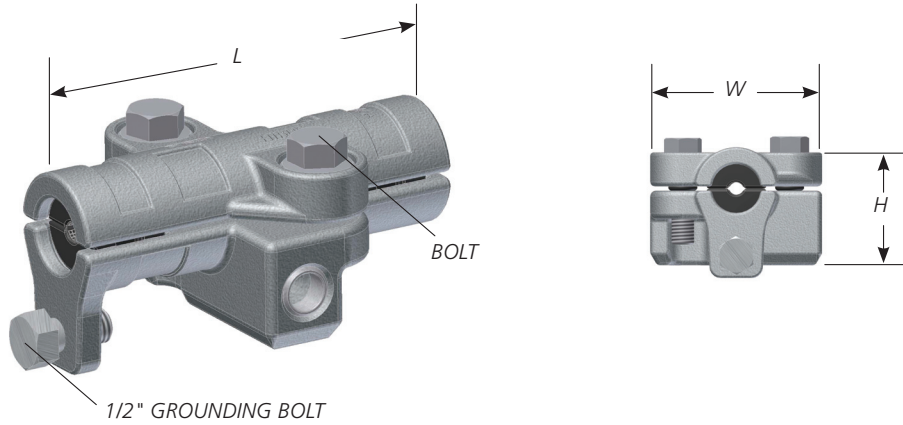
- Stress relief bushing system
- Aluminum clamp body with stainless steel captive securing bolts
- Line angles up to 20°

#### Ordering Information



**ORDERING EXAMPLE:** For a HIBUS Series OPGW Trunnion with a .547"-.562" cable range, the part number is HOT547/562.

**HIBUS® Series  
OPGW Trunnion**



AFL NO.	RANGE (IN)		RANGE (MM)		LENGTH (L)	HEIGHT (H)	WIDTH (W)	WEIGHT (LBS)	VERT. LOAD RATING (LBS)
	MIN	MAX	MIN	MAX					
HOT335/345	0.335	0.345	8.51	8.76	6.1"	2.5"	3.8"	2.3	20,000
HOT346/360	0.346	0.360	8.77	9.14					
HOT361/375	0.361	0.375	9.15	9.53					
HOT376/390	0.376	0.390	9.54	9.91					
HOT391/406	0.391	0.406	9.92	10.31					
HOT407/418	0.407	0.418	10.32	10.62					
HOT419/434	0.419	0.434	10.63	11.02					
HOT435/448	0.435	0.448	11.03	11.38					
HOT449/465	0.449	0.465	11.39	11.81					
HOT466/480	0.466	0.480	11.82	12.19					
HOT481/500	0.481	0.500	12.20	12.70					
HOT501/516	0.501	0.516	12.71	13.11					
HOT517/531	0.517	0.531	13.12	13.49					
HOT532/546	0.532	0.546	13.50	13.87					
HOT547/562	0.547	0.562	13.88	14.27					
HOT563/577	0.563	0.577	14.28	14.66					
HOT578/584	0.578	0.584	14.67	14.83					
HOT585/599	0.585	0.599	14.84	15.21					
HOT600/614	0.600	0.614	15.22	15.60					
HOT615/629	0.615	0.629	15.61	15.98					
HOT630/644	0.630	0.644	15.99	16.36					
HOT645/659	0.645	0.659	16.37	16.74					
HOT660/666	0.660	0.666	16.75	16.92					
HOT667/681	0.667	0.681	16.93	17.30					
HOT682/696	0.682	0.696	17.31	17.68					
HOT697/711	0.697	0.711	17.69	18.06					
HOT712/726	0.712	0.726	18.07	18.44					
HOT727/741	0.727	0.741	18.45	18.82					
HOT742/750	0.742	0.750	18.83	19.05					