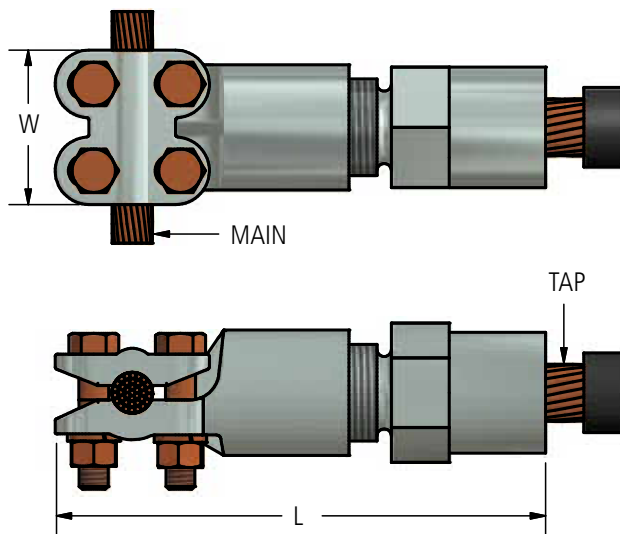


DOSSERT® Type HNT Hood Nut Tee Connector

A cast bronze tee connector whose tap element is provided with a cast hood which serves as a shroud over the insulation of the cable. This accomplishes a watertight weather seal on the tap cable when the body and shroud is taped to the insulation of the cable. The clamping element is a tapered sleeve and gland nut similar to type MA cable receptacles. When ordering specify kV rating and diameter over cable insulation.



Ordering Information

CATALOG NUMBER*	CABLE SIZE		DIMENSIONS IN INCHES		BOLT SIZE
	MAIN	TAP	W	L APPROX.	
HNT21-6-X	4/0	#2	2	4.403	3/8
HNT21-10-X	4/0	1/0	2	4.403	3/8
HNT21-13-X	4/0	2/0	2	4.653	3/8
HNT21-21-X	4/0	4/0	2	4.653	3/8
HNT25-6-X	250	#2	2	4.450	3/8
HNT25-10-X	250	1/0	2	4.450	3/8
HNT25-13-X	250	2/0	2	4.450	3/8
HNT25-21-X	250	4/0	2	4.700	3/8
HNT25-25-X	250	250	2	4.700	3/8
HNT35-10-X	350	1/0	2	4.556	3/8
HNT35-13-X	350	2/0	2	4.556	3/8
HNT35-21-X	350	4/0	2	4.556	3/8
HNT35-25-X	350	250	2	4.806	3/8
HNT35-35-X	350	350	2	4.806	3/8
HNT50-13-X	500	2/0	2	5.289	3/8
HNT50-21-X	500	4/0	2	5.539	3/8

CATALOG NUMBER*	CABLE SIZE		DIMENSIONS IN INCHES		BOLT SIZE
	MAIN	TAP	W	L APPROX.	
HNT50-25-X	500	250	2	5.539	3/8
HNT50-35-X	500	350	2	5.539	3/8
HNT50-50-X	500	500	2	5.539	3/8
HNT75-13-X	750	2/0	2	5.623	3/8
HNT75-21-X	750	4/0	2	5.873	3/8
HNT75-25-X	750	250	2	5.873	3/8
HNT75-35-X	750	350	2	5.873	3/8
HNT75-50-X	750	500	2	5.873	3/8
HNT75-75-X	750	750	2	5.873	3/8
HNT100-13-X	1000	2/0	2	6.277	3/8
HNT100-21-X	1000	4/0	2	6.527	3/8
HNT100-25-X	1000	250	2	6.527	3/8
HNT100-35-X	1000	350	2	6.527	3/8
HNT100-50-X	1000	500	2	6.527	3/8
HNT100-75-X	1000	750	2	6.527	3/8
HNT100-100-X	1000	1000	2	6.902	3/8

* X in the catalog number is to be replaced with the kV rating.