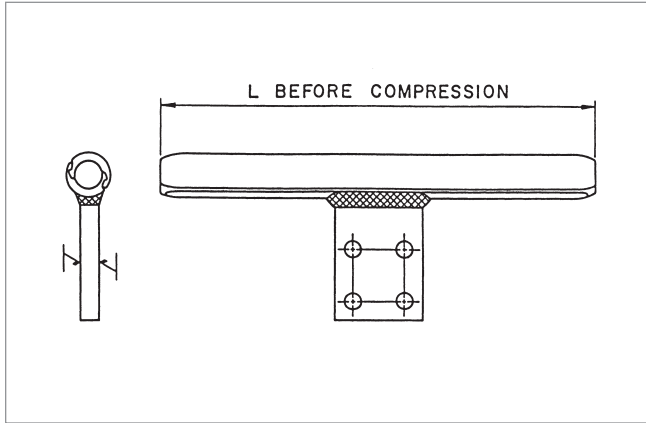


## HiTemp Tee Tap for ACSS Conductor, Open Run, 5300HT Series



The 5300HT Series Tee Tap is a permanent or temporary drop specifically designed for ACSS conductors. It is fabricated from a specially tempered aluminum that will transfer elevated current and dissipate increased heat more efficiently.

The run portion incorporates an improved design of interlocking extrusions, providing a permanent grip on the conductor when compressed.

For die sizes 30AH and above, the end tapers of the compression portions of all compression accessories are supplied with a high voltage finish.

Square edges of the compression accessory pad can cause Corona. Pads with rounded edges and corners can be supplied by adding the catalog suffix "EHV".

### Ordering Instructions

#### Step 1: Catalog Number

Determine the catalog number based on the conductor being used.

#### Step 2: Extra High Voltage Finish

For Extra High Voltage Finish, use "EHV". ( $\geq 345$  kV)

For Standard Finish, leave blank. ( $< 345$  kV)

#### Step 3: Assemble Catalog Number

+

#### Example:

For 795 Drake ACSS Conductor with EHV finish, the complete catalog number is:

**5330.3HTEHV**

#### Notes:

1. Pad Dimensions are on page 339.
2. HiTemp AFL Filler Compound (AFCHT) Requirements are on page 340.
3. Bolt Sizes and Torque Recommendations are on page 340.
4. Installation Instructions for Tee Taps are on page 353.

## HiTemp Tee Tap for ACSS Conductor, Open Run, 5300HT Series (cont.)

Catalog Number	Conductor				Die Size	Weight		Total Length L		Pad Size
	Code Name	Size	Stranding	Diameter		lbs	kg	in	mm	
		kcmil	Al/St	in						
5376.3HT	Partridge/ACSS	266.8	26/7	0.642	76AH	1.6	0.7	19.5	495	D
5320.3HT	Woodcock/ACSS	336.4	22/7	0.701	20AH	2.4	1.1	24.0	611	D
5320.3HT	Linnet/ACSS	336.4	26/7	0.720	20AH	2.4	1.1	24.0	611	D
5320.3HT	Oriole/ACSS	336.4	30/7	0.741	20AH	2.4	1.1	24.0	611	D
5320.3HT	Ptarmigan/ACSS	397.5	20/7	0.752	20AH	2.4	1.1	24.0	611	D
5320.3HT	Brant/ACSS	397.5	24/7	0.772	20AH	2.4	1.1	24.0	611	D
5320.3HT	Ibis/ACSS	397.5	26/7	0.783	20AH	2.4	1.1	24.0	611	D
5320.3HT	Lark/ACSS	397.5	30/7	0.806	20AH	2.4	1.1	24.0	611	D
5320.3HT	Tailorbird/ACSS	477.0	20/7	0.823	20AH	2.4	1.1	24.0	611	D
5324.3HT	Flicker/ACSS	477.0	24/7	0.846	24AH	2.8	1.3	24.9	633	D
5324.3HT	Hawk/ACSS	477.0	26/7	0.858	24AH	2.8	1.3	24.9	633	D
5324.3HT	Hen/ACSS	477.0	30/7	0.883	24AH	2.8	1.3	24.9	633	D
5324.3HT	Sapsucker/ACSS	556.5	22/7	0.901	24AH	2.8	1.3	24.9	633	D
5324.3HT	Parakeet/ACSS	556.5	24/7	0.914	24AH	2.8	1.3	24.9	633	D
5327.3HT	Dove/ACSS	556.5	26/7	0.927	27AH	3.9	1.8	27.0	688	D
5327.3HT	Eagle/ACSS	556.5	30/7	0.953	27AH	3.9	1.8	27.0	688	D
5327.3HT	Peacock/ACSS	605.0	24/7	0.953	27AH	3.9	1.8	27.0	688	D
5327.3HT	Squab/ACSS	605.0	26/7	0.966	27AH	3.9	1.8	27.0	688	D
5327.3HT	Wood Duck/ACSS	605.0	30/7	0.994	27AH	3.9	1.8	27.0	688	D
5327.3HT	Teal/ACSS	605.0	30/19	0.994	27AH	3.9	1.8	27.0	688	D
5327.3HT	Goldfinch/ACSS	636.0	22/7	0.963	27AH	3.9	1.8	27.0	688	D
5327.3HT	Rook/ACSS	636.0	24/7	0.977	27AH	3.9	1.0	27.0	688	D
5327.3HT	Grosbeak/ACSS	636.0	26/7	0.990	27AH	3.9	1.8	27.0	688	D
5327.3HT	Scoter/ACSS	636.0	30/7	1.019	27AH	3.9	1.8	27.0	688	D
5327.3HT	Egret/ACSS	636.0	30/19	1.019	27AH	3.9	1.8	27.0	688	D
5327.3HT	Flamingo/ACSS	666.6	24/7	1.000	27AH	3.9	1.8	27.0	688	D
5327.3HT	Gannet/ACSS	666.6	26/7	1.014	27AH	3.9	1.8	27.0	688	D
5330.3HT	Stilt/ACSS	715.5	24/7	1.036	30AH	4.8	2.2	27.2	692	D
5330.3HT	Starling/ACSS	715.5	26/7	1.051	30AH	4.8	2.2	27.2	692	D
5330.3HT	Redwing/ACSS	715.5	30/19	1.081	30AH	4.8	2.2	27.2	692	D
5330.3HT	Cuckoo/ACSS	795.0	24/7	1.092	30AH	4.8	2.2	27.2	692	D
5330.3HT	Drake/ACSS	795.0	26/7	1.108	30AH	4.8	2.2	27.2	692	D
5330.3HT	Macaw/ACSS	795.0	42/7	1.055	30AH	4.8	2.2	27.2	692	D
5330.3HT	Tern/ACSS	795.0	45/7	1.063	30AH	4.8	2.2	27.2	692	D
5330.3HT	Condor/ACSS	795.0	54/7	1.092	30AH	4.8	2.2	27.2	692	D
5330.3HT	Mallard/ACSS	795.0	30/19	1.140	30AH	4.8	2.2	27.8	708	D
5330.3HT	Ruddy/ACSS	900.0	45/7	1.131	30AH	4.8	2.2	27.8	708	D
5330.3HT	Canary/ACSS	900.0	54/7	1.162	30AH	4.8	2.2	27.2	692	D
5330.3HT	Corncrake/ACSS	954.0	20/7	1.165	30AH	4.8	2.2	27.2	692	D
5330.3HT	Redbird/ACSS	954.0	24/7	1.196	30AH	4.8	2.2	27.8	708	D
5330.3HT	Rail/ACSS	954.0	45/7	1.165	30AH	4.8	2.2	27.2	692	D
5330.3HT	Towhee/ACSS	954.0	48/7	1.175	30AH	4.8	2.2	27.8	708	D

## HiTemp Tee Tap for ACSS Conductor, Open Run, 5300HT Series (cont.)

Catalog Number	Conductor				Die Size	Weight		Total Length L		Pad Size
	Code Name	Size	Stranding	Diameter		lbs	kg	in	mm	
		kcmil	Al/St	in						
5330.3HT	Cardinal/ACSS	954.0	54/7	1.196	30AH	4.8	2.2	27.2	692	D
5334.3HT	Canvasback/ACSS	954.0	30/19	1.248	34AH	6.3	2.9	28.6	728	D
5334.3HT	Snowbird/ACSS	1033.5	42/7	1.203	34AH	6.3	2.9	28.6	728	D
5334.3HT	Ortolan/ACSS	1033.5	45/7	1.212	34AH	6.3	2.9	28.6	728	D
5334.3HT	Curlew/ACSS	1033.5	54/7	1.245	34AH	6.3	2.9	28.6	728	D
5334.3HT	Bluejay/ACSS	1113.0	45/7	1.259	34AH	6.3	2.9	28.6	728	D
5334.3HT	Finch/ACSS	1113.0	54/19	1.293	34AH	6.3	2.9	28.6	728	D
5334.3HT	Bunting/ACSS	1192.5	45/7	1.302	34AH	6.3	2.9	28.6	728	D
5336.3HT	Grackle/ACSS	1192.5	54/19	1.338	36AH	6.5	3.0	29.5	750	D
5336.3HT	Bittern/ACSS	1272.0	45/7	1.345	36AH	6.5	3.0	29.5	750	D
5336.3HT	Diver/ACSS	1272.0	48/7	1.357	36AH	6.5	3.0	29.5	750	D
5336.3HT	Pheasant/ACSS	1272.0	54/19	1.382	36AH	6.5	3.0	29.5	750	D
5336.3HT	Dipper/ACSS	1351.5	45/7	1.386	36AH	6.5	3.0	29.5	750	D
5338.3HT	Martin/ACSS	1351.5	54/19	1.424	38AH	7.3	3.3	30.1	765	D
5338.3HT	Bobolink/ACSS	1431.0	45/7	1.427	38AH	7.3	3.3	30.1	765	D
5338.3HT	Plover/ACSS	1431.0	54/19	1.465	38AH	7.3	3.3	30.1	765	D
5338.3HT	Nuthatch/ACSS	1510.0	45/7	1.466	38AH	7.3	3.3	30.1	765	D
5340.3HT	Parrot/ACSS	1510.0	54/19	1.505	40AH	8.4	3.8	30.7	779	E
5340.3HT	Ratite/ACSS	1590.0	42/7	1.492	40AH	8.4	3.8	30.7	779	E
5340.3HT	Lapwing/ACSS	1590.0	45/7	1.504	40AH	8.4	3.8	30.7	779	E
5340.3HT	Falcon/ACSS	1590.0	54/19	1.544	40AH	8.4	3.8	30.7	779	E
5342.3HT	Chukar/ACSS	1780.0	84/19	1.602	42AH	10.4	4.7	31.6	803	E
5342.3HT	Mockingbird/ACSS	2034.5	72/7	1.681	42AH	10.4	4.7	31.6	803	E
5342.3HT	Roadrunner/ACSS	2057.0	76/19	1.700	42AH	10.4	4.7	31.6	803	E
5344.3HT	Bluebird/ACSS	2156.0	84/19	1.762	44AH	11.9	5.4	33.5	853	E
5344.3HT	Kiwi/ACSS	2167.0	72/7	1.735	44AH	11.9	5.4	33.5	853	E
5344.3HT	Thrasher/ACSS	2312.0	76/19	1.802	44AH	11.9	5.4	33.5	853	E
5348.3HT	Joree/ACSS	2515.0	76/19	1.880	48AH	13.4	6.1	35.0	885	E