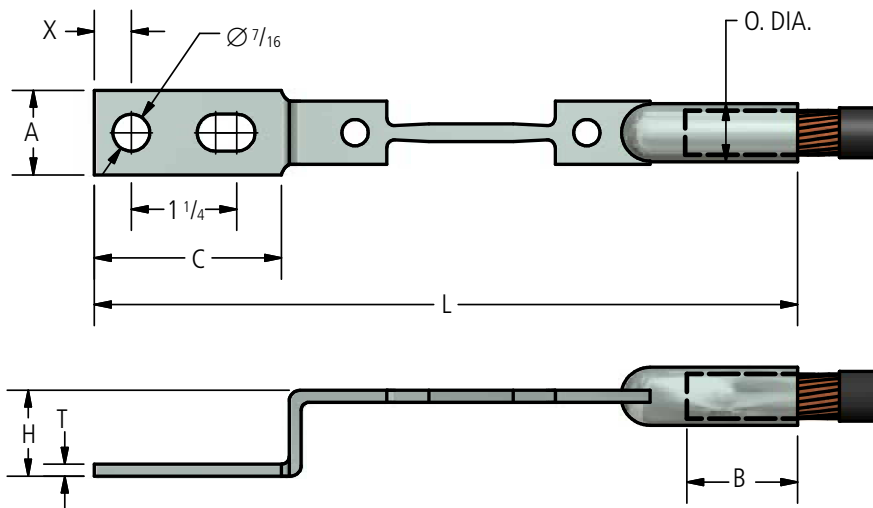


## DOSSERT®

### Types LLA-2R3, LLA-2P3 Limiter Terminal

The limiter terminal acts as a cable terminal as well as a current limiting fuse. The fusible section is made to close tolerances to insure consistent conformity with the fusing time-current curves. The limiter terminal will clear on severe loads or faults but will not clear on system overloads of short period.



### Ordering Information

CATALOG NUMBER		CABLE SIZE	NO. OF INDENTS	DIMENSIONS IN INCHES							
FOR RUBBER INSULATED CABLE	FOR PAPER* INSULATED CABLE			A	B	C	H	L	O	T	X
LLA21-2R3	LLA21-2P3	4/0 STR	1	1	1 7/8	2 3/16	7/8	8 1/4	11/16	5/32	7/16
LLA25-2R3	LLA25-2P3	250 MCM	1	1 3/32	1 7/8	2 3/16	7/8	8 1/4	3/4	5/32	7/16
LLA30-2R3	LLA30-2P3	300 MCM	2	1 3/16	2	2 5/16	1	8 7/8	13/16	3/16	1/2
LLA35-2R3	LLA35-2P3	350 MCM	2	1 9/32	2	2 5/16	1	8 7/8	7/8	3/16	1/2
LLA40-2R3	LLA40-2P3	400 MCM	2	1 13/32	2 1/8	2 5/16	1	9	31/32	3/16	1/2
LLA50-2R3	LLA50-2P3	500 MCM	2	1 1/2	2 5/8	2 3/4	1	10	1 1/16	7/32	1/2
LLA75-2R3	LLA75-2P3	750 MCM	2	1 15/16	2 5/8	2 3/4	1	10	1 5/16	1/4	1/2

\* Closed end of sockets are sealed to make sockets oil tight.