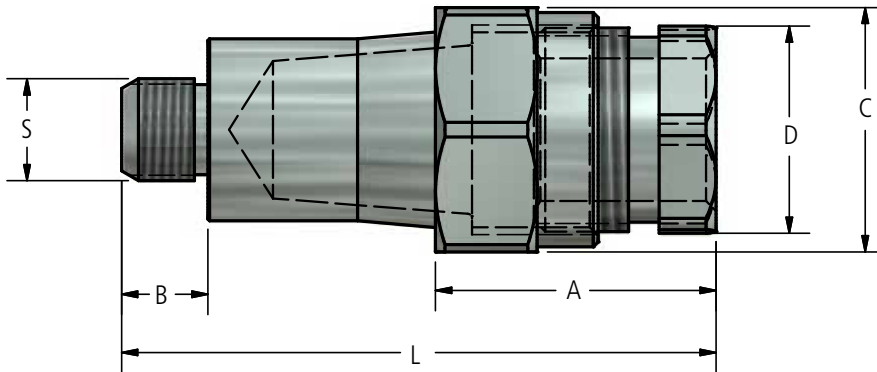


DOSSERT® Type MA Cable Receptacle

A high strength, high conductivity cable receptacle for securing cables electrically and mechanically to the MICON outlet positions. Each size accommodates a wide range of cable sizes from maximum to a selected minimum size through use of Type C tapered compression sleeves. The turned edges, compactness, and close fit to the MICON outlets make possible a neat and easy taping.



Ordering Information

CATALOG NUMBER	MAXIMUM CABLE SIZE	STUD SIZE (S)	OUTLET SIZE*	DIMENSIONS IN INCHES				
				A	B	C**	D**	L
MA21	4/0 STR	5/8 - 18 NF-2	63	1 7/16	9/16	1 1/8	7/8	3 13/32
MA25	250 MCM	5/8 - 18 NF-2	63	1 11/16	9/16	1 3/16	15/16	3 21/32
MA30	300 MCM	5/8 - 18 NF-2	63	1 3/4	9/16	1 1/4	1	3 23/32
MA40	400 MCM	5/8 - 18 NF-2	63	1 13/16	9/16	1 3/8	1 1/8	3 25/32
MA50	500 MCM	5/8 - 18 NF-2	63	1 7/8	9/16	1 1/2	1 1/4	3 27/32
MA60	600 MCM	5/8 - 18 NF-2	63	1 15/16	9/16	1 1/2	1 1/4	3 29/32
MA80	800 MCM	7/8 - 14 NF-2	88	2 3/16	3/4	1 13/16	1 1/2	4 11/32
MA100	1000 MCM	7/8 - 14 NF-2	88	2 1/2	3/4	1 15/16	1 5/8	4 21/32
MA125	1250 MCM	1 - 1/8 - 12 NF-2	112	2 9/16	7/8	2 1/4	2	4 27/32
MA150	1500 MCM	1 - 1/8 - 12 NF-2	112	2 3/4	7/8	2 3/8	2 1/8	5 1/32
MA175	1750 MCM	1 - 1/8 - 12 NF-2	112	2 7/8	7/8	2 1/2	2 1/4	5 5/32
MA200	2000 MCM	1 - 1/8 - 12 NF-2	112	3	7/8	2 5/8	2 3/8	5 9/32

* MICON Outlet Size.

** Dimensions across hexagonal flats.