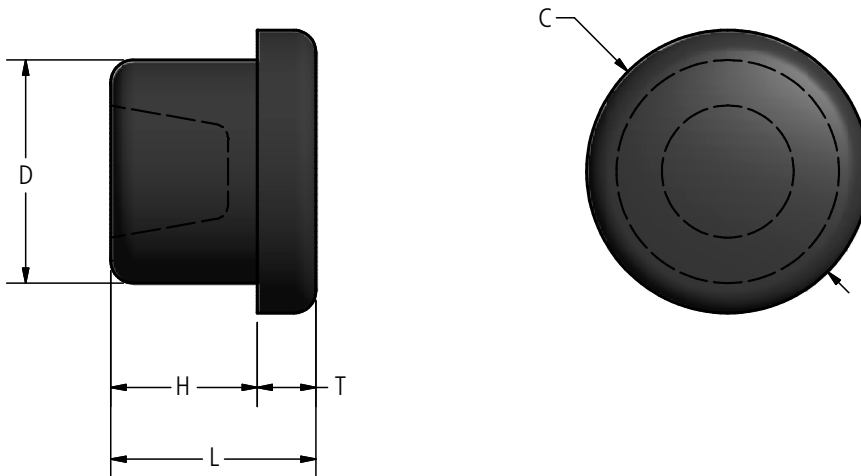


DOSSERT[®] MICON Outlet Plugs Type P

All Micon connectors are furnished with Mypar plugs, accommodating 25% of the outlets. Myprene plugs can also be furnished. To specify, suffix catalog number with -N. Type P plugs make a snug fit on all outlet positions and provide a convenient means for sealing unused outlets.



Ordering Information

CATALOG NUMBER	OUTLET SIZE	DIMENSIONS IN INCHES				
		C	D	H	L	T
P63	63	1 1/2	1 5/32	1 1/8	1 9/16	7/16
P88	88	1 13/16	1 13/32	1 1/4	1 11/16	7/16
P112	112	2 1/8	1 5/8	1 1/4	1 3/4	1/2