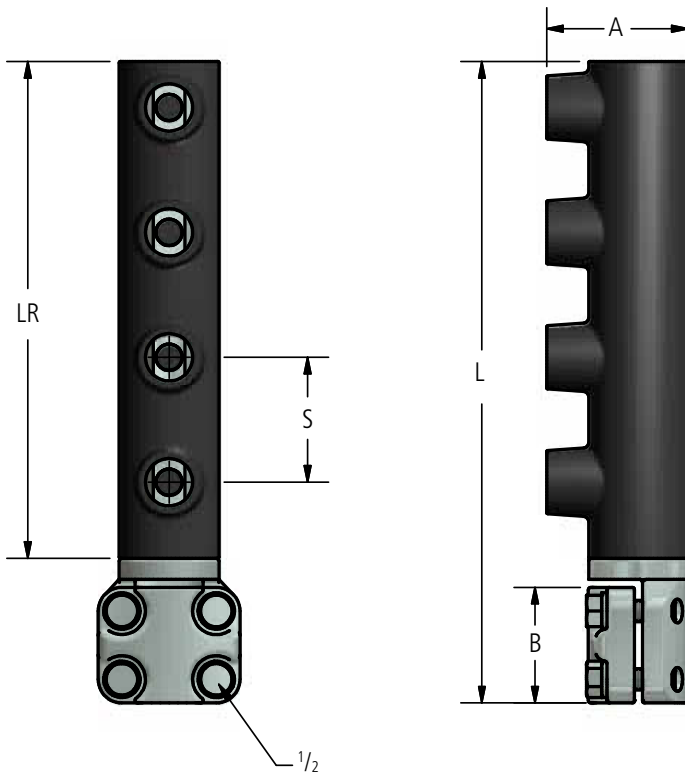


### DOSSERT®

### MICON Stud Connector Type MCBS

A multi-outlet pre-insulated connector to terminate a number of cables to the studs of network protectors or distribution transformers. The connector is completely insulated for the indicated length LR. The threaded cap over stud is independent from connector body permitting installation of unit without need of turning connector down on stud.



### Ordering Information

CATALOG NUMBER	CURRENT RATING AMPERES	NUMBER OF OUTLETS	STUD SIZE	DIMENSIONS IN INCHES				
				A	B	L	LR	S
MCBS150-1	1500	1	1 1/2 - 12NF - 2	3 1/16	2 3/4	6 1/2	3	-
MCBS150-2	1500	2	1 1/2 - 12NF - 2	3 1/16	2 3/4	9 1/2	6	3
MCBS150-3	1500	3	1 1/2 - 12NF - 2	3 1/16	2 3/4	12 1/2	9	3
MCBS150-4	1500	4	1 1/2 - 12NF - 2	3 1/16	2 3/4	15 1/2	12	3
MCBS200-1	2000	1	1 1/2 - 12NF - 2	3 3/8	2 3/4	6 13/16	3 3/8	3 1/2
MCBS200-2	2000	2	1 1/2 - 12NF - 2	3 3/8	2 3/4	10 5/16	6 7/8	3 1/2
MCBS200-3	2000	3	1 1/2 - 12NF - 2	3 3/8	2 3/4	13 13/16	10 3/8	3 1/2
MCBS200-4	2000	4	1 1/2 - 12NF - 2	3 3/8	2 3/4	17 5/16	13 7/8	3 1/2