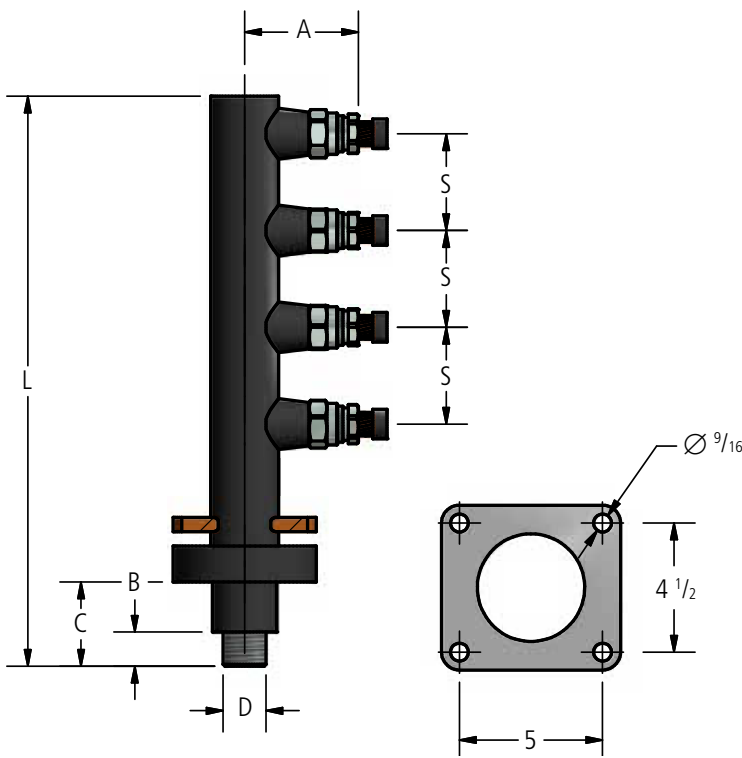


DOSSERT® MICON Stud Connector Type MCFS 2000 Ampere Rating

A multi-outlet insulated stud terminator for connecting insulated cables to the terminals of network protectors. The heavily rubberized flange, and integral part of the connector, serves as an insulating bushing as well as a seal. This replaces the conventional porcelain type of bushing so readily subject to breakage. Additional accessories include clamp plate, split ring and hold down bolts which are furnished only upon request.



Ordering Information

CATALOG NUMBER	CURRENT RATING AMPERES	NUMBER OF OUTLETS	STUD SIZE	DIMENSIONS IN INCHES				
				A	B	C	D	S
MCFS200-1	500 MCM	1	1 1/2 - 12NF - 2	4 9/16	1 1/4	3	19 7/8	3 3/8
MCFS200-2	500 MCM	2	1 1/2 - 12NF - 2	4 9/16	1 1/4	3	19 7/8	3 3/8
MCFS200-3	500 MCM	3	1 1/2 - 12NF - 2	4 9/16	1 1/4	3	19 7/8	3 3/8
MCFS200-4	500 MCM	4	1 1/2 - 12NF - 2	4 9/16	1 1/4	3	19 7/8	3 3/8
MCFS200-1-S	500 MCM	1	1 1/2 - 12NF - 2	4 9/16	2 1/8	4 1/8	21	3 3/8
MCFS200-2-S	500 MCM	2	1 1/2 - 12NF - 2	4 9/16	2 1/8	4 1/8	21	3 3/8
MCFS200-3-S	500 MCM	3	1 1/2 - 12NF - 2	4 9/16	2 1/8	4 1/8	21	3 3/8
MCFS200-4-S	500 MCM	4	1 1/2 - 12NF - 2	4 9/16	2 1/8	4 1/8	21	3 3/8