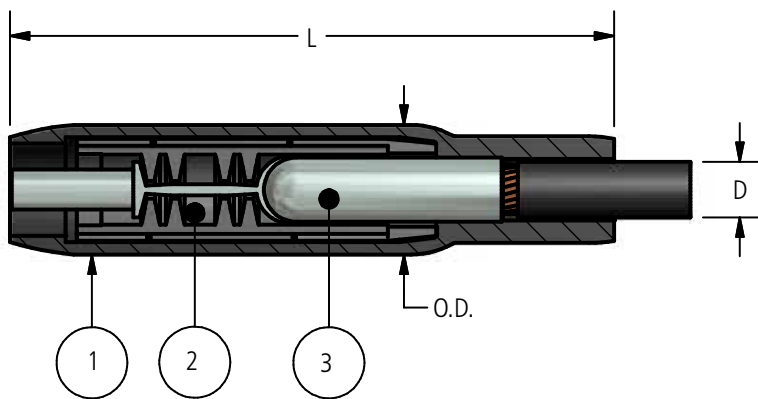


### DOSSERT®

## Type ML-PL123 MICON Long Limiter Assembly for Paper Insulated Cable\*

The MICON long limiter assembly is designed to establish a fusible connecting point at a MICON outlet for oil-filled paper insulated cable. The cable is simply installed by making a compression connection on the socket end and by a cable receptacle and tapered sleeve, types MA and C, on the MICON end. MICON Limiters which have cleared a faulted or over loaded circuit can be readily replaced.



### Elements

TYPE NO.	NAME
ML-1	1 Insulating Sleeve
ML-PL2	2 Shell
ML-PL3	3 Long Limiter

### Ordering Information

CATALOG NUMBER	CABLE SIZE	RECOMMENDED MICON OUTLET CONNECTION		INDENTS IN CABLE SOCKET	DIMENSIONS IN INCHES		
		CABLE RECEPTACLE	COMPRESSION SLEEVE		D	L	O.D.
ML21-PL123	4/0 STR	MA-21	C21-21	1	Diameter over cable insulation to be specified on order.	9 7/8	1 7/8
ML25-PL123	250 MCM	MA-25	C25-25	1		9 7/8	1 7/8
ML30-PL123	300 MCM	MA-30	C30-30	2		10 3/8	2 3/16
ML35-PL123	350 MCM	MA-40	C40-35	2		10 3/8	2 3/16
ML40-PL123	400 MCM	MA-40	C40-40	2		10 3/8	2 3/16
ML50-PL123	500 MCM	MA-50	C50-50	2		11 3/4	2 3/8
ML75-PL123	750 MCM	MA-50-88	C50-50	2		12 1/4	2 9/16

\* Closed end of sockets are sealed to make sockets oil tight.