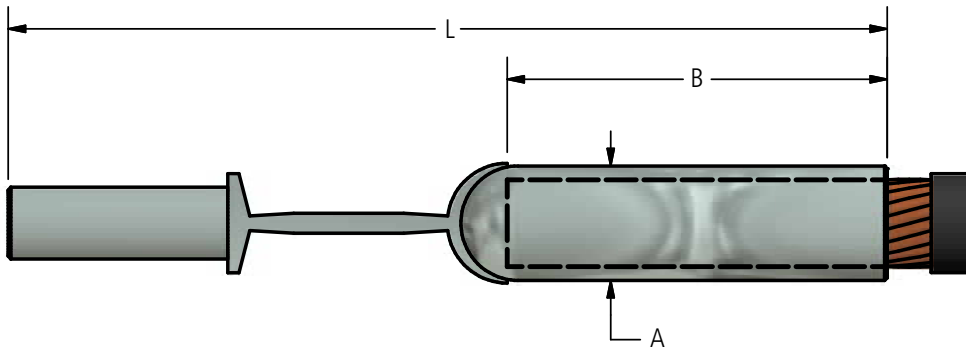


DOSSERT®

Type ML-PL3 MICON Long Limiter for Paper Insulated Cable* for Use with MICON Long Limiter Assembly Type ML-PL123

The MICON long limiter, for oil filled paper insulated cable, is designed to provide a fusible connecting point to the MICON outlet. The fusible section is made to close tolerances to insure consistent conformity with the fusing time-current curves. The limiter will clear on severe loads or faults but will not clear on system overloads of short period.



Ordering Information

CATALOG NUMBER	CABLE SIZE	INDENTS IN CABLE SOCKET	DIMENSIONS IN INCHES		
			A**	B	L
ML21-PL3	4/0 STR	1	11/16	3	7 1/4
ML25-PL3	250 MCM	1	3/4	3 1/8	7 1/4
ML30-PL3	300 MCM	2	13/16	3 1/2	8
ML35-PL3	350 MCM	2	7/8	3 1/2	8 3/8
ML40-PL3	400 MCM	2	31/32	3 1/2	8 3/8
ML50-PL3	500 MCM	2	1 1/16	4 1/4	9 9/16
ML75-PL3	750 MCM	2	1 5/16	4 1/4	10 7/16

* Closed end of sockets are sealed to make sockets oil tight.

** Diameter.