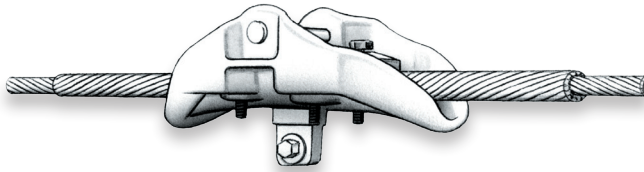
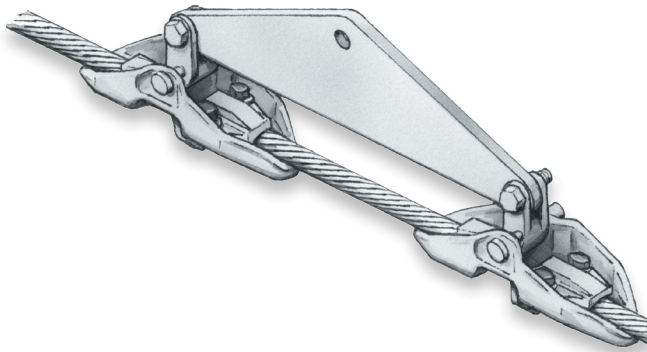


Mechanical Suspensions— Single and Double

Supporting spans of Optical Ground Wire cable through a wide range of line angle changes, the unique design of the lightweight AFL Mechanical Suspension installs easily while supporting vertical, transverse, longitudinal unbalanced loads and angle pulls without damaging the cable strands or affecting optical fiber performance. Breakaway bolts ensure proper installation torque while eliminating the need for specialized torque wrenches. The assemblies are designed for fast installation to minimize costs.



SINGLE SUSPENSION



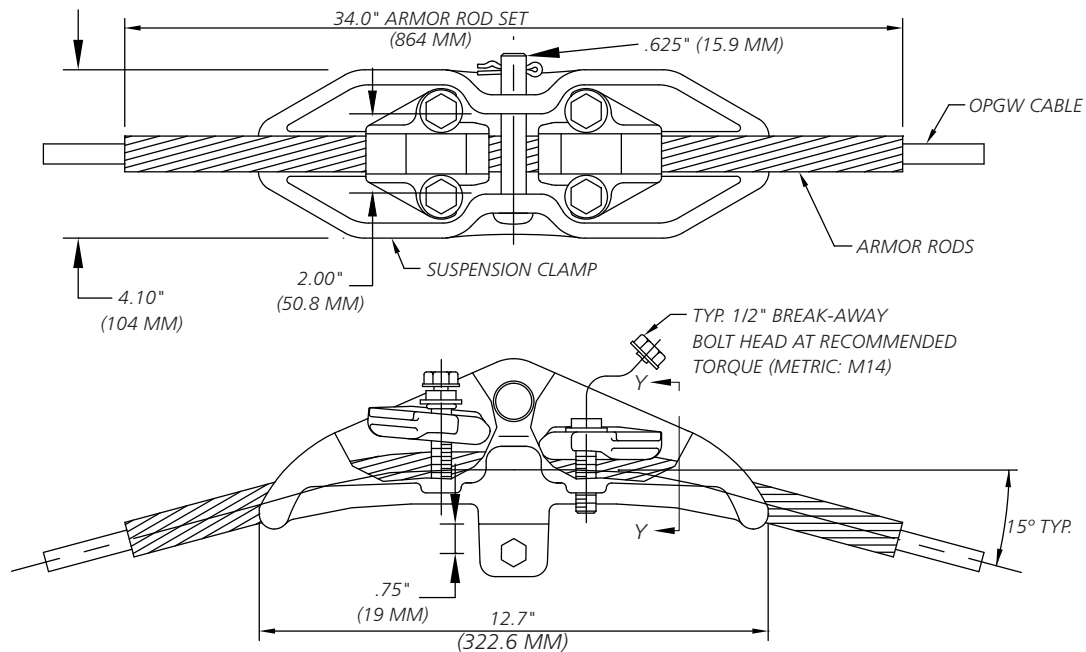
*DOUBLE SUSPENSION SHOWN WITH
OPTIONAL YOKE PLATE AND CLEVIS EYES*

Features

- Slip strengths: Single Suspension > 1,500 lbs.
Double Suspension > 3,000 lbs.
(depending on cable design)
- Vertical load rating: Single Suspension = 25,000 lbs.
Double Suspension = 50,000 lbs.
- Compact design: Single Suspension = 34" in length
Double Suspension = 48" in length
- Meets IEEE 1138 Vibration and Galloping tests
- Ideal for helicopter installation
- Unique keeper design allows installation without removing bolts (fewer loose parts)
- Grounding lug included, eliminating additional accessories for electrical bonding
- Shorter than formed wire suspensions, allowing installation from the support structure
- Standard assembly includes suspension unit and rods

Mechanical Suspensions— Single and Double (cont.)

Single Mechanical Suspension for OPGW



Ordering Information—Single

Assembly includes suspension and rods. For line or elevation angle changes up to 30°.

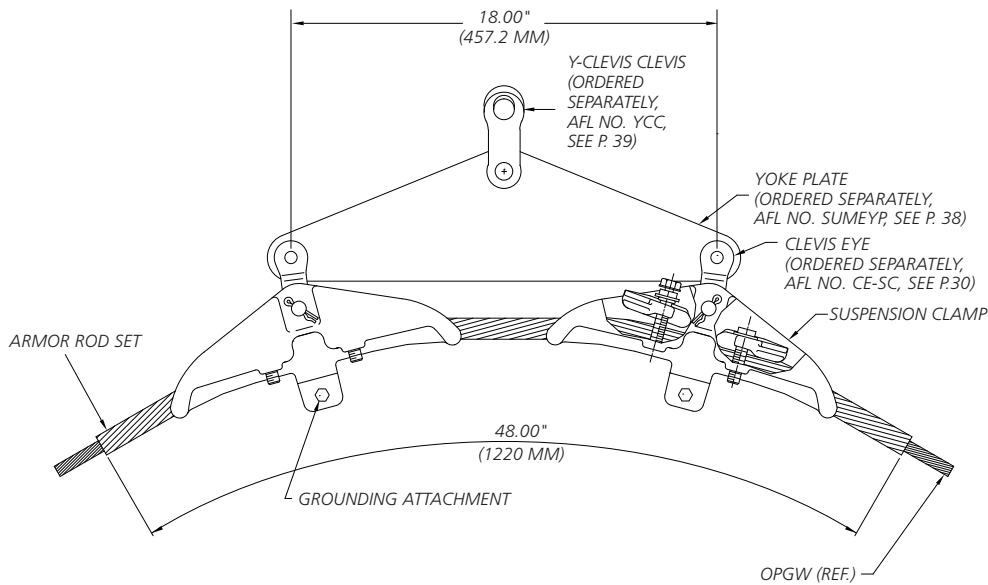
OPGW DIAMETER		EST. WEIGHT		AFL NO.
INCHES	MILLIMETERS	LBS.	KG	
0.350 - 0.389	8.89 - 9.88	5.7	2.6	SUME350/389
0.390 - 0.420	9.91 - 10.67	5.7	2.6	SUME390/420
0.421 - 0.449	10.69 - 11.40	5.8	2.6	SUME421/449
0.450 - 0.475	11.43 - 12.07	5.8	2.6	SUME450/475
0.476 - 0.499	12.09 - 12.67	5.8	2.6	SUME476/499
0.500 - 0.527	12.70 - 13.39	5.8	2.6	SUME500/527
0.528 - 0.555	13.41 - 14.10	5.8	2.6	SUME528/555
0.556 - 0.584	14.12 - 14.83	6.3	2.9	SUME556/584
0.585 - 0.614	14.86 - 15.60	6.3	2.9	SUME585/614
0.615 - 0.646	15.62 - 16.41	6.3	2.9	SUME615/646
0.647 - 0.679	16.43 - 17.25	6.3	2.9	SUME647/679
0.680 - 0.714	17.27 - 18.14	6.3	2.9	SUME680/714
0.715 - 0.770	18.16 - 18.54	6.3	2.9	SUME715/770

Ordering Example: For .512" diameter cable, the part number is SUME500/527.

- NOTES:**
1. For metric hardware, add suffix "M" to part number.
 2. Contact AFL for OPGW cable over 0.770 inch diameter.
 3. For installation instructions, see page 131.

Mechanical Suspensions— Single and Double (cont.)

Double Suspension for OPGW



Ordering Information—Double

Standard unit includes suspensions and rods. For line or elevation angle changes from 31° to 60°.

OPGW DIAMETER		EST. WEIGHT		AFL NO.
INCHES	MILLIMETERS	LBS.	KG	
0.350 - 0.389	8.89 - 9.88	5.7	2.6	ODSME350/389
0.390 - 0.420	9.91 - 10.67	5.7	2.6	ODSME390/420
0.421 - 0.449	10.69 - 11.40	5.8	2.6	ODSME421/449
0.450 - 0.475	11.43 - 12.07	5.8	2.6	ODSME450/475
0.476 - 0.499	12.09 - 12.67	5.8	2.6	ODSME476/499
0.500 - 0.527	12.70 - 13.39	5.8	2.6	ODSME500/527
0.528 - 0.555	13.41 - 14.10	5.8	2.6	ODSME528/555
0.556 - 0.584	14.12 - 14.83	6.3	2.9	ODSME556/584
0.585 - 0.614	14.86 - 15.60	6.3	2.9	ODSME585/614
0.615 - 0.646	15.62 - 16.41	6.3	2.9	ODSME615/646
0.647 - 0.679	16.43 - 17.25	6.3	2.9	ODSME647/679
0.680 - 0.714	17.27 - 18.14	6.3	2.9	ODSME680/714
0.715 - 0.770	18.16 - 18.54	6.3	2.9	ODSME715/770

Ordering Example: For .512" diameter cable, the part number is ODSME500/527.

- NOTES:**
1. For metric hardware, add suffix "M" to part number.
 2. For optional yoke plate (as shown), order separately as SUMEYP.
 3. Clevis eyes sold separately, see page 30.
 4. Y-Clevis Clevis sold separately, see page 39.
 5. Contact AFL for OPGW cable over 0.770 inch diameter.
 6. For installation instructions, see page 132.