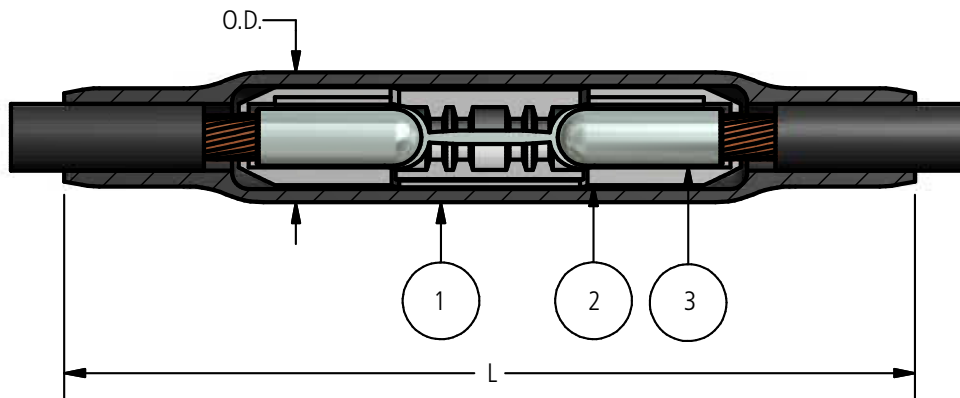


## DOSSERT®

### Types NRLA-R123, NRLA-P123 Limiter Link Assembly

A cable coupler which serves as both a fuse and connector. The fusible element has a time-current characteristic which will enable it to clear faults severe enough to cause cable insulation damage. Unlike a fuse, the limiter will not clear a circuit on system overloads.



#### Elements

TYPE NO.	NAME
NRLA -1	1 Insulating Sleeve
NRLA-R2	2 Shell
NRLA-P2	
NRLA-R3	3 Limiter Link
NRLA-P3	

#### Ordering Information

CATALOG NUMBER		CABLE SIZE	INDENTS IN CABLE SOCKET	DIA. OVER CABLE INSULATION	DIMENSIONS IN INCHES	
FOR RUBBER INSULATED CABLE	FOR PAPER* INSULATED CABLE				L	O.D.
NRLA21-R123	NRLA21-P123	4/0	1	Diameter over cable insulation to be specified on order.	12 7/8	2
NRLA25-R123	NRLA25-P123	250 MCM	1		12 7/8	2
NRLA30-R123	NRLA30-P123	300 MCM	2		13 5/8	2 1/4
NRLA35-R123	NRLA35-P123	350 MCM	2		13 5/8	2 1/4
NRLA40-R123	NRLA40-P123	400 MCM	2		13 5/8	2 1/4
NRLA50-R123	NRLA50-P123	500 MCM	2		16	2 7/16
NRLA75-R123	NRLA75-P123	750 MCM	2		16	2 5/8

\* Closed end of sockets are sealed to make sockets oil tight.