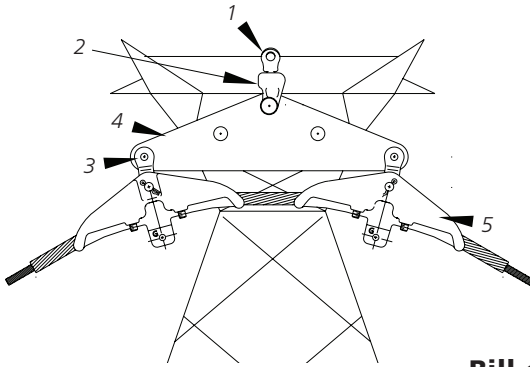


OPGW Double Suspension Lattice Tower Configuration Assemblies

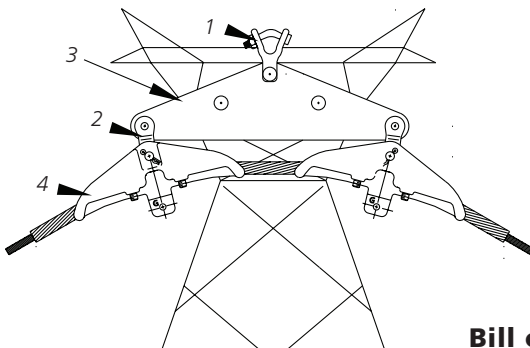


AFL NO.

OLTSS1 - **XXX/XXX**
 Assembly Code SUME Range Code

Bill of Material

ITEM	DESCRIPTION	MATERIAL	AFL OR DWG. NO.	REQ'D	REMARKS
1	Y-Clevis Ball	Galvanized Steel	YCBS	1	Pin Dia. = 0.75" (19 mm)
2	Socket Clevis	Galvanized Steel	SC-YP	1	
3	Clevis Eye	Galvanized Steel	CE-SC	2	
4	Yoke Plate	Galvanized Steel	SUMEYP	1	
5	Double Suspension (included)	Aluminum	ODSME XXX/XXX	1	



AFL NO.

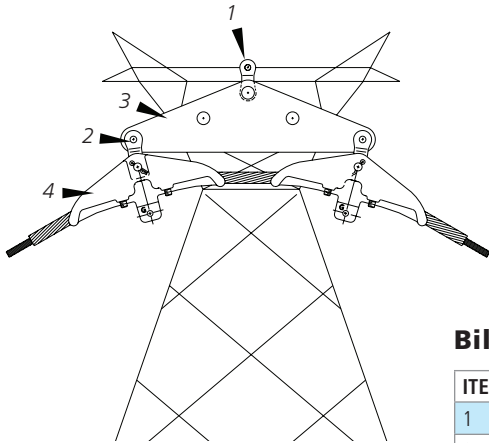
OLTSS2 - **XXX/XXX**
 Assembly Code SUME Range Code

Bill of Material

ITEM	DESCRIPTION	MATERIAL	AFL OR DWG. NO.	REQ'D	REMARKS
1	Y-Clevis Clevis 90°	Galvanized Steel	YCC-90	1	Pin Dia. = 0.75" (19 mm)
2	Clevis Eye	Alum./Gal. Steel	CE-SC	2	
3	Yoke Plate	Alum./Gal. Steel	SUMEYP	1	
4	Double Suspension (included)	Alum./Gal. Steel	ODSME XXX/XXX	1	

Accessories enlarged for clarity

OPGW Double Suspension Lattice Tower Configuration Assemblies (cont.)



AFL NO.

OLTSS3 - **XXX/XXX**
 Assembly Code SUME Range Code

Bill of Material

ITEM	DESCRIPTION	MATERIAL	AFL OR DWG. NO.	REQ'D	REMARKS
1	Y-Clevis Clevis	Galvanized Steel	YCC	1	Pin Dia. = 0.75" (19 mm)
2	Clevis Eye	Galvanized Steel	CE-SC	2	
3	Yoke Plate	Galvanized Steel	SUMEYP	1	
4	Double Suspension (included)	Aluminum	ODSME XXX/XXX	1	

Accessories enlarged for clarity