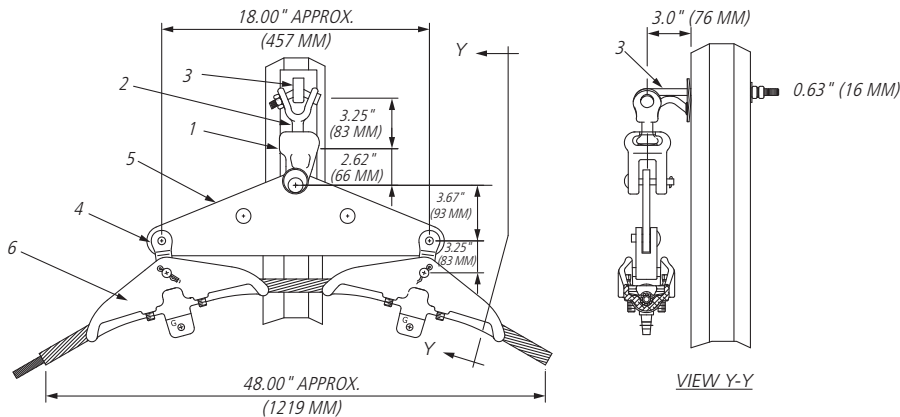


OPGW Double Suspension Steel Pole/Drilled Configuration Assembly

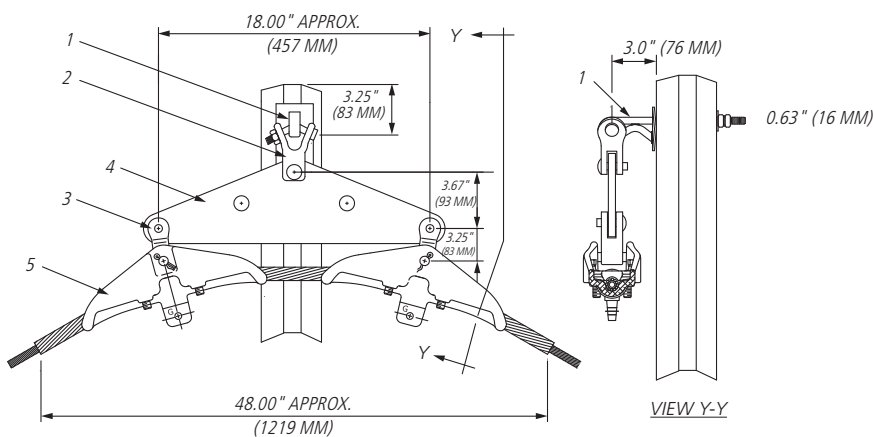


AFL NO.

OSPSS1 - **XXX/XXX**
 Assembly Code SUME Range Code

Bill of Material

| ITEM | DESCRIPTION | MATERIAL | AFL OR DWG. NO. | REQ'D | REMARKS |
|------|-----------------------------|------------------|-----------------|-------|------------------------------|
| 1 | Socket Clevis | Galvanized Steel | SC-YP | 1 | |
| 2 | Y-Clevis Ball | Galvanized Steel | YCBS | 1 | Pin Dia. = 0.75" (19 mm) |
| 3 | Shield Wire Support Bracket | Galvanized Steel | SFOSB-WP-14 | 1 | 14" Bolt, 0.63" (16 mm) Dia. |
| 4 | Clevis Eye | Galvanized Steel | CE-SC | 2 | |
| 5 | Yoke Plate | Galvanized Steel | SUMEYP | 1 | |
| 6 | Double Suspension (incl.) | Aluminum | ODSME XXX/XXX | 1 | |



AFL NO.

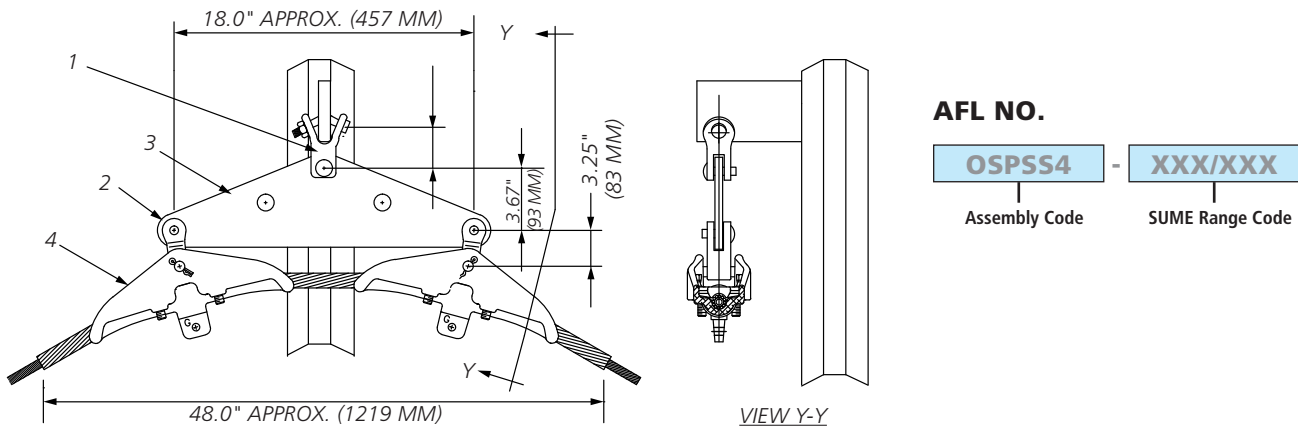
OSPSS2 - **XXX/XXX**
 Assembly Code SUME Range Code

Bill of Material

| ITEM | DESCRIPTION | MATERIAL | AFL OR DWG. NO. | REQ'D | REMARKS |
|------|-----------------------------|------------------|-----------------|-------|------------------------------|
| 1 | Shield Wire Support Bracket | Galvanized Steel | SFOSB-WP-14 | 1 | 14" Bolt, 0.63" (16 mm) Dia. |
| 2 | Y-Clevis Clevis 90° | Galvanized Steel | YCC-90 | 1 | Pin Dia. = 0.75" (19 mm) |
| 3 | Clevis Eye | Galvanized Steel | CE-SC | 2 | |
| 4 | Yoke Plate | Galvanized Steel | SUMEYP | 1 | |
| 5 | Double Suspension (incl.) | Aluminum | ODSME XXX/XXX | 1 | |

Accessories enlarged for clarity

OPGW Double Suspension Steel Pole/Vang Configuration Assembly

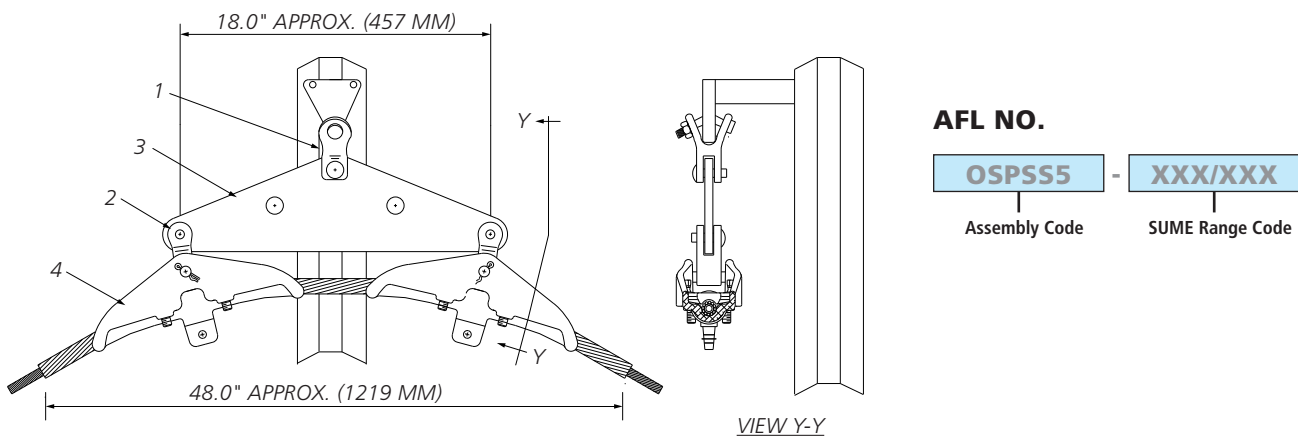


AFL NO.

OSPSS4 - **XXX/XXX**
 Assembly Code SUME Range Code

Bill of Material

| ITEM | DESCRIPTION | MATERIAL | AFL OR DWG. NO. | REQ'D | REMARKS |
|------|------------------------------|------------------|-----------------|-------|--------------------------|
| 1 | Y-Clevis Clevis 90° | Galvanized Steel | YCC-90 | 1 | Pin Dia. = 0.75" (19 mm) |
| 2 | Clevis Eye | Galvanized Steel | CE-SC | 2 | |
| 3 | Yoke Plate | Galvanized Steel | SUMEYP | 1 | |
| 4 | Double Suspension (included) | Aluminum | ODSME XXX/XXX | 1 | |



AFL NO.

OSPSS5 - **XXX/XXX**
 Assembly Code SUME Range Code

Bill of Material

| ITEM | DESCRIPTION | MATERIAL | AFL OR DWG. NO. | REQ'D | REMARKS |
|------|------------------------------|------------------|-----------------|-------|--------------------------|
| 1 | Y-Clevis Clevis | Galvanized Steel | YCC | 1 | Pin Dia. = 0.75" (19 mm) |
| 2 | Clevis Eye | Galvanized Steel | CE-SC | 2 | |
| 3 | Yoke Plate | Galvanized Steel | SUMEYP | 1 | |
| 4 | Double Suspension (Included) | Aluminum | ODSME XXX/XXX | 1 | |

Accessories enlarged for clarity

