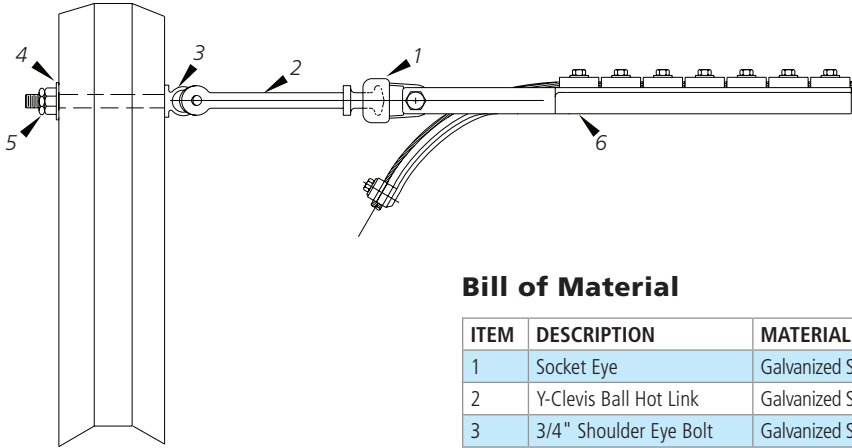


OPGW Single Dead End Steel Pole/Drilled Configuration Assemblies

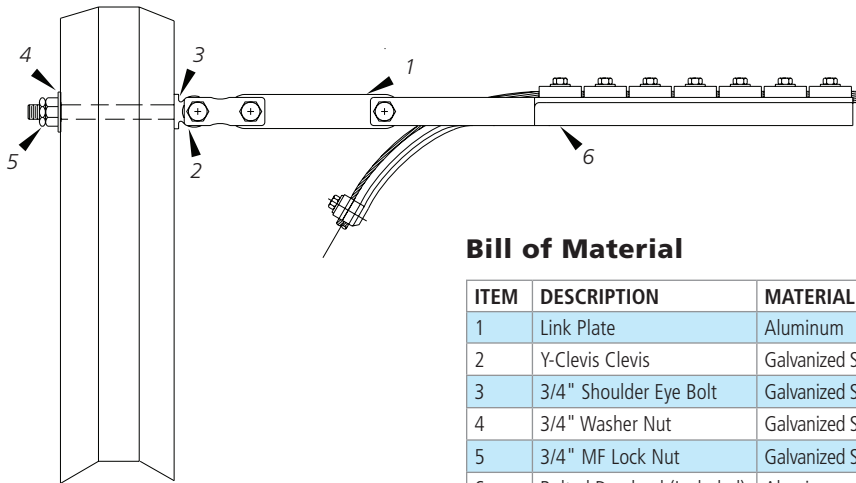


AFL NO.

OSPDE1 - **DNOXXXX**
 Assembly Code Cable Spec. Number

Bill of Material

ITEM	DESCRIPTION	MATERIAL	AFL OR DWG. NO.	REQ'D	REMARKS
1	Socket Eye	Galvanized Steel	SE-BDE	1	
2	Y-Clevis Ball Hot Link	Galvanized Steel	YCBHL	1	Pin Dia. = 0.75" (19 mm)
3	3/4" Shoulder Eye Bolt	Galvanized Steel	SEB-3/4-14	1	Length = 14"
4	3/4" Washer Nut	Galvanized Steel	WN-3/4	1	
5	3/4" MF Lock Nut	Galvanized Steel	LN-3/4	1	
6	Bolted Deadend (Included)	Aluminum	Determined by AFL	1	



AFL NO.

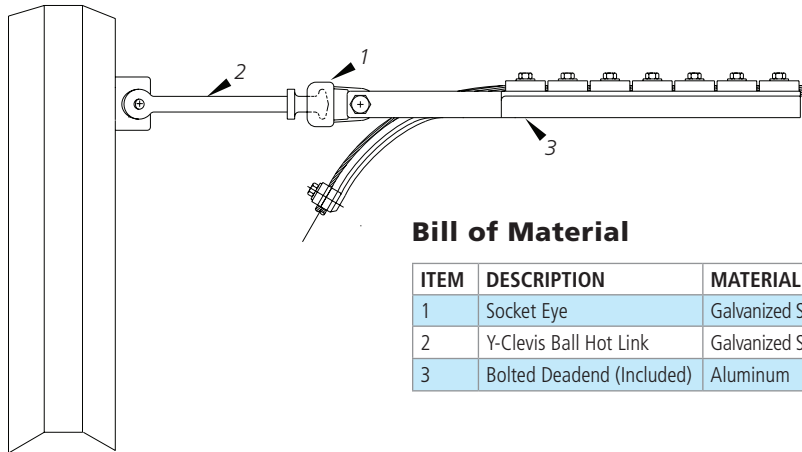
OSPDE2 - **DNOXXXX**
 Assembly Code Cable Spec. Number

Bill of Material

ITEM	DESCRIPTION	MATERIAL	AFL OR DWG. NO.	REQ'D	REMARKS
1	Link Plate	Aluminum	ODELPI0	1	
2	Y-Clevis Clevis	Galvanized Steel	YCC	1	Pin Dia. = 0.75" (19 mm)
3	3/4" Shoulder Eye Bolt	Galvanized Steel	SEB-3/4-14	1	Length = 14"
4	3/4" Washer Nut	Galvanized Steel	WN-3/4	1	
5	3/4" MF Lock Nut	Galvanized Steel	LN-3/4	1	
6	Bolted Deadend (Included)	Aluminum	Determined by AFL	1	

Accessories enlarged for clarity

OPGW Single Dead End Steel Pole/Vang Configuration Assemblies

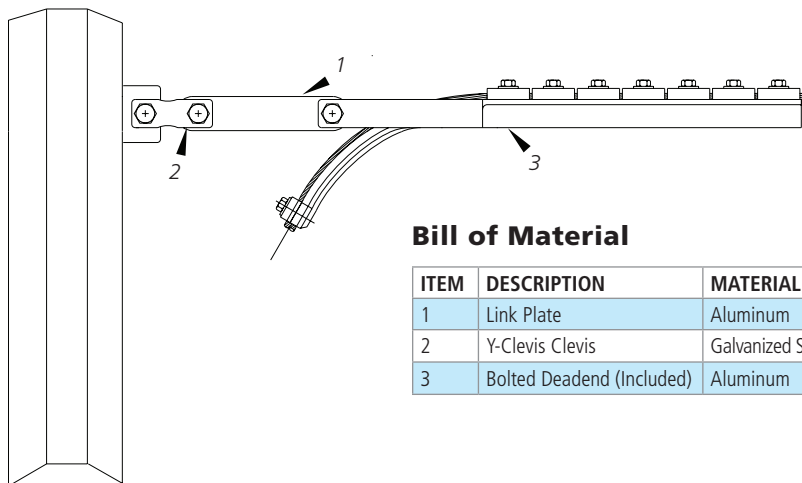


AFL NO.

OSPDE3 - **DNOXXXX**
 Assembly Code Cable Spec. Number

Bill of Material

ITEM	DESCRIPTION	MATERIAL	AFL OR DWG. NO.	REQ'D	REMARKS
1	Socket Eye	Galvanized Steel	SE-BDE	1	
2	Y-Clevis Ball Hot Link	Galvanized Steel	YCBHL	1	Pin Dia. = 0.75" (19 mm)
3	Bolted Deadend (Included)	Aluminum	Determined by AFL	1	



AFL NO.

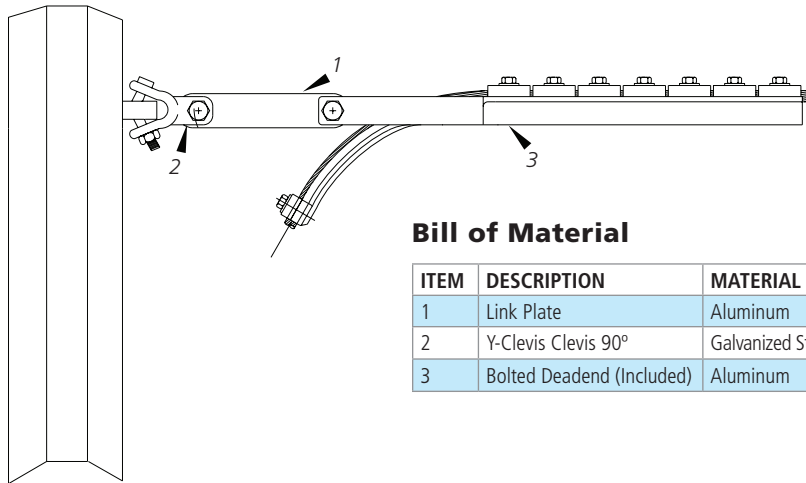
OSPDE4 - **DNOXXXX**
 Assembly Code Cable Spec. Number

Bill of Material

ITEM	DESCRIPTION	MATERIAL	AFL OR DWG. NO.	REQ'D	REMARKS
1	Link Plate	Aluminum	ODEL10	1	
2	Y-Clevis Clevis	Galvanized Steel	YCC	1	Pin Dia. = 0.75" (19 mm)
3	Bolted Deadend (Included)	Aluminum	Determined by AFL	1	

Accessories enlarged for clarity

OPGW Single Dead End Steel Pole/Vang Configuration Assemblies (cont.)



AFL NO.

OSPDE5

Assembly Code

DNOXXXX

Cable Spec. Number

Bill of Material

ITEM	DESCRIPTION	MATERIAL	AFL OR DWG. NO.	REQ'D	REMARKS
1	Link Plate	Aluminum	ODELP10	1	
2	Y-Clevis Clevis 90°	Galvanized Steel	YCC-90	1	Pin Dia. = 0.75" (19 mm)
3	Bolted Deadend (Included)	Aluminum	Determined by AFL	1	

Accessories enlarged for clarity