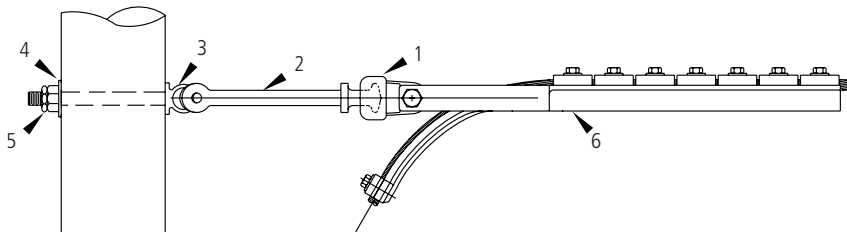


OPGW Single Dead End Wood Pole/H-Frame Configuration Assemblies

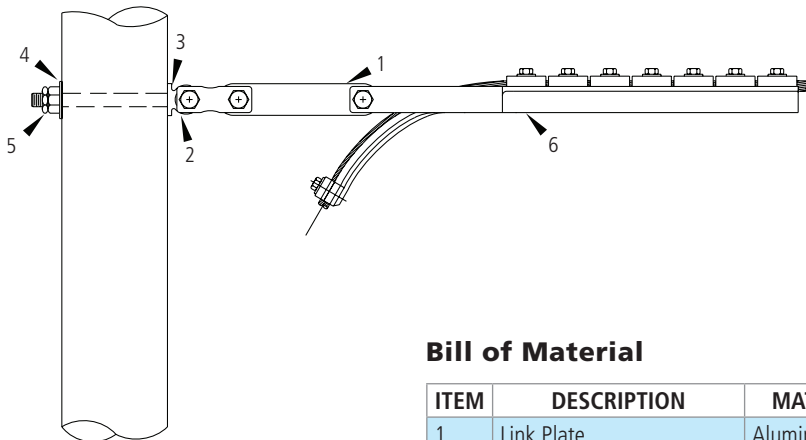


AFL NO.

**OWPDE1** - **DNOXXXX**  
 Assembly Code      Cable Spec. Number

**Bill of Material**

| ITEM | DESCRIPTION               | MATERIAL         | AFL OR DWG. NO.   | REQ'D | REMARKS                  |
|------|---------------------------|------------------|-------------------|-------|--------------------------|
| 1    | Socket Eye                | Galvanized Steel | SE-BDE            | 1     |                          |
| 2    | Y-Clevis Ball Hot Link    | Galvanized Steel | YCBHL             | 1     | Pin Dia. = 0.75" (19 mm) |
| 3    | 3/4" Shoulder Eye Bolt    | Galvanized Steel | SEB-3/4-14        | 1     | Length = 14"             |
| 4    | 3/4" Washer Nut           | Galvanized Steel | WN-3/4            | 1     |                          |
| 5    | 3/4" MF Lock Nut          | Galvanized Steel | LN-3/4            | 1     |                          |
| 6    | Bolted Deadend (Included) | Aluminum         | Determined by AFL | 1     |                          |



AFL NO.

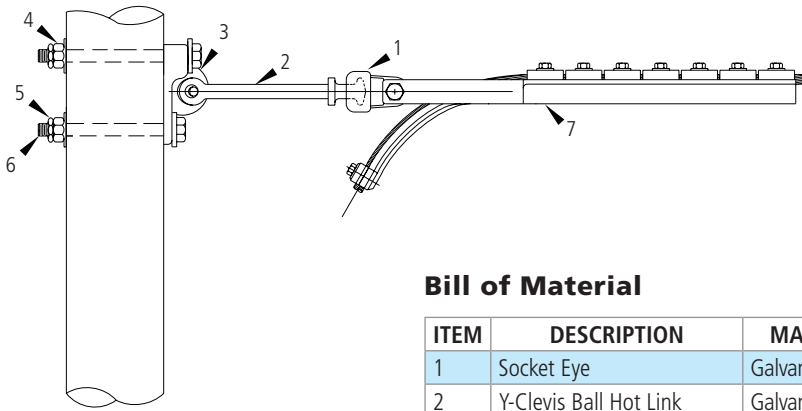
**OWPDE2** - **DNOXXXX**  
 Assembly Code      Cable Spec. Number

**Bill of Material**

| ITEM | DESCRIPTION               | MATERIAL         | AFL OR DWG. NO.   | REQ'D | REMARKS                  |
|------|---------------------------|------------------|-------------------|-------|--------------------------|
| 1    | Link Plate                | Aluminum         | ODELP10           | 1     |                          |
| 2    | Y-Clevis Clevis           | Galvanized Steel | YCC               | 1     | Pin Dia. = 0.75" (19 mm) |
| 3    | 3/4" Shoulder Eye Bolt    | Galvanized Steel | SEB-3/4-14        | 1     | Length = 14"             |
| 4    | 3/4" Washer Nut           | Galvanized Steel | WN-3/4            | 1     |                          |
| 5    | 3/4" MF Lock Nut          | Galvanized Steel | LN-3/4            | 1     |                          |
| 6    | Bolted Deadend (Included) | Aluminum         | Determined by AFL | 1     |                          |

continued  


## OPGW Single Dead End Wood Pole/H-Frame Configuration Assemblies (cont.)

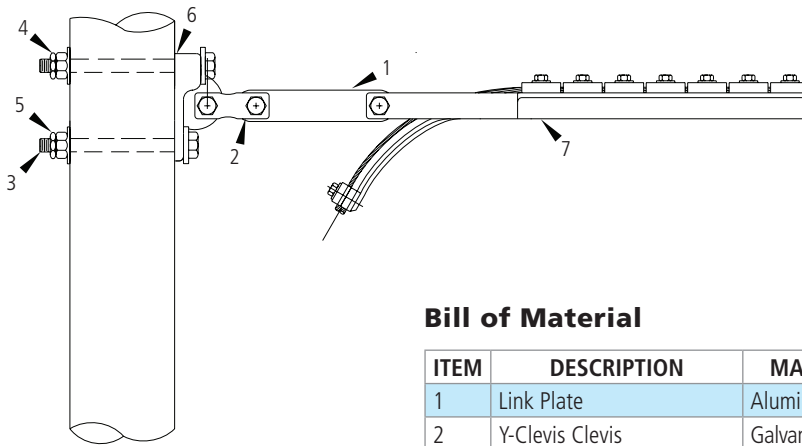


**AFL NO.**

**OWPDE3** - **DNOXXXX**  
 Assembly Code      Cable Spec. Number

**Bill of Material**

| ITEM | DESCRIPTION               | MATERIAL         | AFL OR DWG. NO.   | REQ'D | REMARKS                  |
|------|---------------------------|------------------|-------------------|-------|--------------------------|
| 1    | Socket Eye                | Galvanized Steel | SE-BDE            | 1     |                          |
| 2    | Y-Clevis Ball Hot Link    | Galvanized Steel | YCBHL             | 1     | Pin Dia. = 0.75" (19 mm) |
| 3    | Eye Plate                 | Galvanized Steel | EP1               | 1     |                          |
| 4    | 3/4" Washer Nut           | Galvanized Steel | WN-3/4            | 2     |                          |
| 5    | 3/4" MF Lock Nut          | Galvanized Steel | LN-3/4            | 2     |                          |
| 6    | 3/4" MF Through Bolt      | Galvanized Steel | TB-3/4-14         | 2     | Length = 14"             |
| 7    | Bolted Deadend (Included) | Aluminum         | Determined by AFL | 1     |                          |



**AFL NO.**

**OWPDE4** - **DNOXXXX**  
 Assembly Code      Cable Spec. Number

**Bill of Material**

| ITEM | DESCRIPTION               | MATERIAL         | AFL OR DWG. NO.   | REQ'D | REMARKS                  |
|------|---------------------------|------------------|-------------------|-------|--------------------------|
| 1    | Link Plate                | Aluminum         | ODELP10           | 1     |                          |
| 2    | Y-Clevis Clevis           | Galvanized Steel | YCC               | 1     | Pin Dia. = 0.75" (19 mm) |
| 3    | 3/4" MF Through Bolt      | Galvanized Steel | TB-3/4-14         | 2     | Length = 14"             |
| 4    | 3/4" Washer Nut           | Galvanized Steel | WN-3/4            | 2     |                          |
| 5    | 3/4" MF Lock Nut          | Galvanized Steel | LN-3/4            | 2     |                          |
| 6    | Eye Plate                 | Galvanized Steel | EP1               | 1     |                          |
| 7    | Bolted Deadend (Included) | Aluminum         | Determined by AFL | 1     |                          |