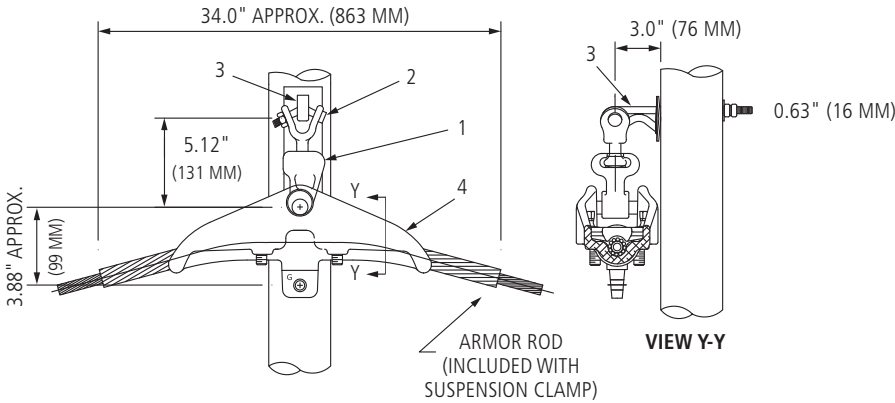


OPGW Single Suspension Wood Pole/H-Frame Configuration Assemblies

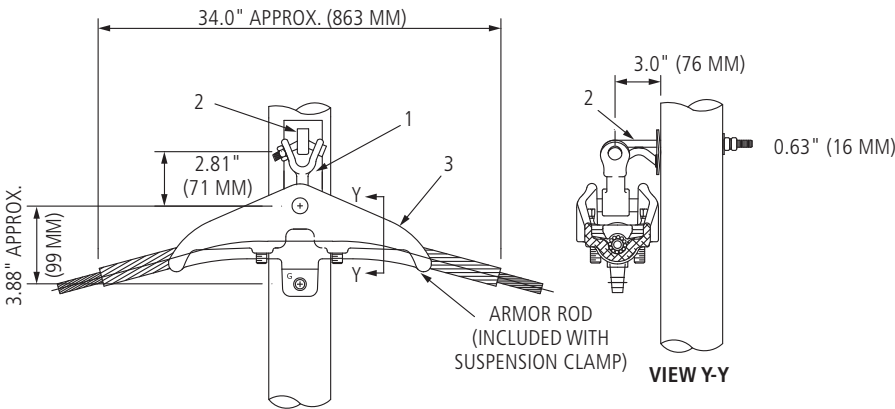


AFL NO.

**OWPSP1** - **XXX/XXX**  
 Assembly Code      SUME Range Code

Bill of Material

ITEM	DESCRIPTION	MATERIAL	AFL OR DWG. NO.	REQ'D	REMARKS
1	Socket Eye	Galvanized Steel	SE-SC	1	
2	Y-Clevis Ball	Galvanized Steel	YCBS	1	Pin Dia. = 0.75" (19 mm)
3	Shield Wire Support Bracket	Galvanized Steel	SFOSB-WP-14	1	14" Bolt, 0.63" (16 mm) Dia.
4	Suspension Clamp Assembly (included)	Aluminum	SUME XXX/XXX	1	



AFL NO.

**OWPSP2** - **XXX/XXX**  
 Assembly Code      SUME Range Code

Bill of Material

ITEM	DESCRIPTION	MATERIAL	AFL OR DWG. NO.	REQ'D	REMARKS
1	Y-Clevis Eye 90°	Galvanized Steel	YC90E-750-1750	1	Pin Dia. = 0.75" (19 mm)
2	Shield Wire Support Bracket	Galvanized Steel	SFOSB-WP-14	1	14" Bolt, 0.63" (16 mm) Dia.
3	Susp. Damp Assembly (included)	Aluminum	SUME XXX/XXX	1	