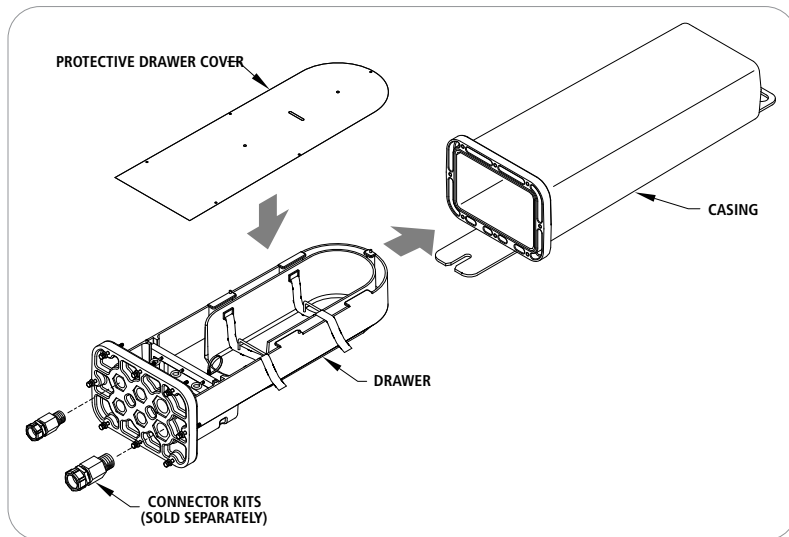


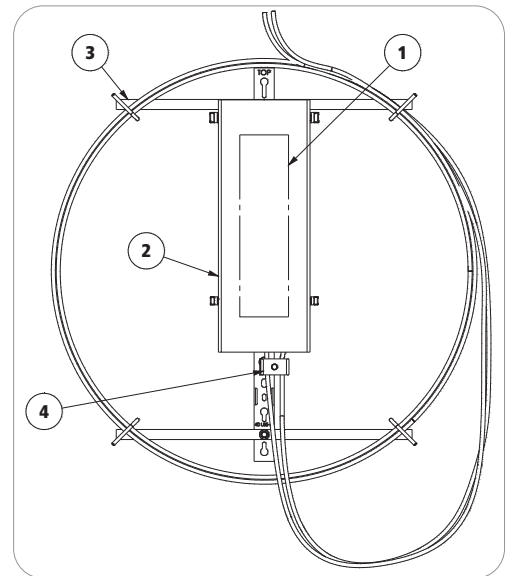
Installation Instructions

OG03 Bullet Guard on CB-44-3AL Coil Storage Bracket

The Opti-Guard™ splice enclosure is designed to allow the splice drawer to be removed and lowered to the ground while leaving the casing intact on the structure.



Expanded view of Opti-Guard Splice Enclosure



Opti-Guard Splice Enclosure mounted on CB-44-3AL Coil Bracket

- | | |
|--------------------------------|--------------------------|
| 1. Opti-Guard Splice Enclosure | 3. Coil Bracket Assembly |
| 2. OG03 Bullet Guard | 4. Download Clamp |

General Installation Instructions

1. Determine the amount of cable needed to remove and lower the splice drawer to the ground. This amount of cable includes the distance from the splice enclosure mounting position on the tower to the ground plus any additional length desired to transport the splice drawer to a suitable workstation once on the ground. AFL recommends that this extra length of cable be stored using a large drip loop prior to entering the enclosure.

NOTE: The diameter of the drip loop(s) must be 30 times the diameter of the cable or 15 inches, whichever is greater.

2. The coil of cable must be stored on structure prior to preparing the enclosure. Only uncoil the amount of cable used for preparation of the enclosure.
3. Follow the standard procedure for splicing optical fibers in the splice trays per installation instructions.
4. Once splicing is complete, the drawer assembly is now ready to install into the casing.
5. A pressure valve has been provided to purge the enclosure of moisture (if required) and to pressurize the seal to 10 psi maximum.
6. Torque the bolts to 35 in-lbs. This will cause a visual protrusion of the gasket approximately 1/64 inch to 1/32 inch from the original position.
7. Attach a guide clamp (sold separately) to each pair of cables approx. 12 inches (304 mm) from the bottom of the connector assembly before transporting the prepared enclosure. This will help prevent the cables from twisting inside the enclosure while transporting.
8. Install bullet guard (optional) over the Opti-Guard splice enclosure.

Installation Instructions

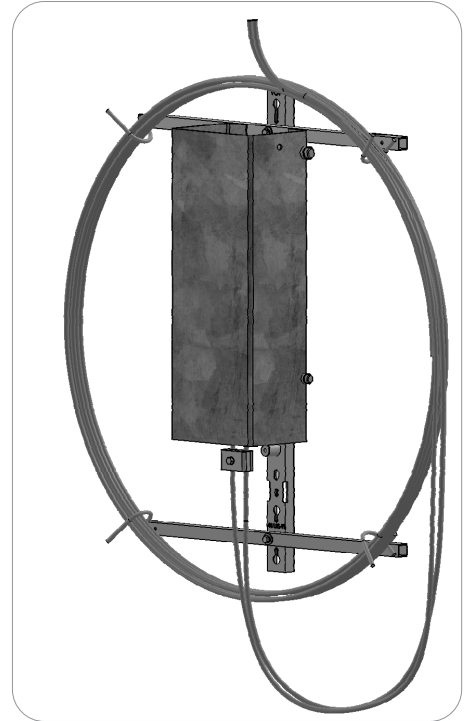
OG03 Bullet Guard on CB-44-3AL Coil Storage Bracket

Re-Pressurizing the OG03 Enclosure

1. Remove bullet guard from Opti-Guard splice enclosure.
2. Dismount the Opti-Guard splice enclosure from the studs on the CB-44-3AL coil storage bracket.
3. Lower the Opti-Guard splice enclosure to a suitable work area, uncoiling the necessary amount of cable to get from the mounting location to work area.

Re-Entering the OG03 Enclosure

1. Follow steps 1-3 in the "Re-Pressurizing the OG03 Enclosure" section.
2. Remove drawer assembly from casing.
3. Disassemble drawer assembly to perform necessary repairs or additional splicing. If additional splicing is required, follow the splicing instructions per installation instructions provided with Opti-Guard splice enclosure for the specified cable.
4. Follow steps 4-8 in "General Installation Instructions" section.



Opti-Guard Splice Enclosure
with OG03 Bullet Guard installed