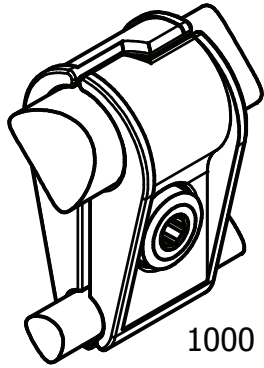


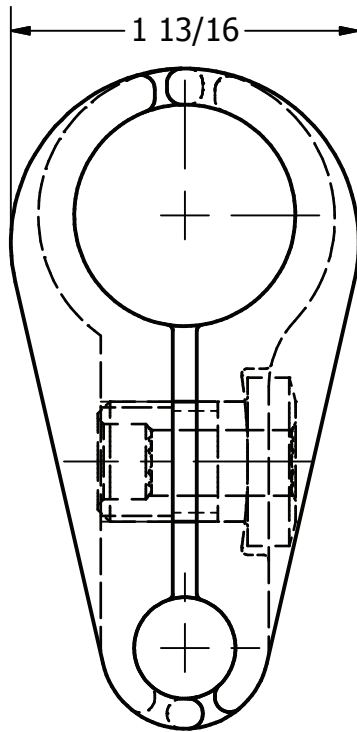
ITEM NO

DWG NO
D-7398

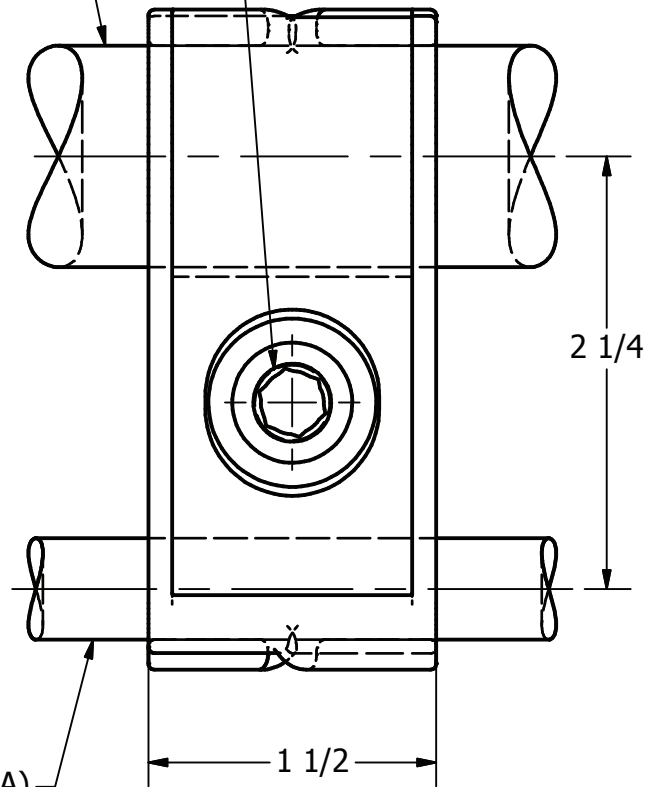


1000 MCM CU (1.152 DIA)

STUD, 5/8-18NF-2A, ST STL
(SCAT-63-SS)



1 13/16



2 1/4

1 1/2

4/0 STR (.528 DIA)

MATERIAL:
ALUMINUM BRONZE ASTM B30

TORQUE STUD 45 FT-LBS

1.04 LBS

THIS DRAWING AND ALL INFORMATION ON IT IS THE PROPERTY OF AFL. IT IS CONFIDENTIAL AND IT IS GIVEN TO YOU FOR A LIMITED PURPOSE AND MUST BE RETURNED UPON REQUEST. NEITHER THIS DRAWING OR ANY PART OF IT NOR ANY INFORMATION CONCERNING IT MAY BE COPIED, EXHIBITED, OR FURNISHED TO OTHERS NOR PHOTOGRAPHS TAKEN OF ANY ARTICLE FABRICATED OR ASSEMBLED FROM THE DRAWING WITHOUT THE CONSENT OF AFL.

LOCATION					CONTRACT NO		CUST / CONTR	
REVISIONS					DRN BY: IP			
REV	DESCRIPTION	DATE	BY	APR	DRN DATE: 7-20-82			
2	RE-DRAWN IN INVENTOR	1-26-10	LK	EP	CHK BY: HJ			
					CHK DATE: 1-16-95			
					REV 2		CMC100-21-225	
							1 OF 1	



CLAMP, PARALLEL, 1000MCM(1.152DIA)-4/0 (.528DIA)