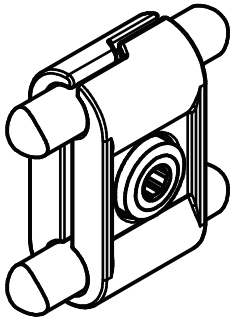


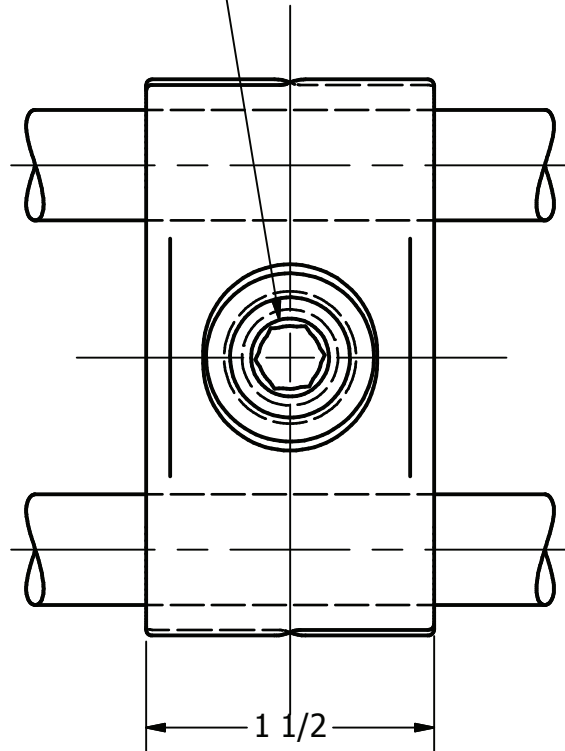
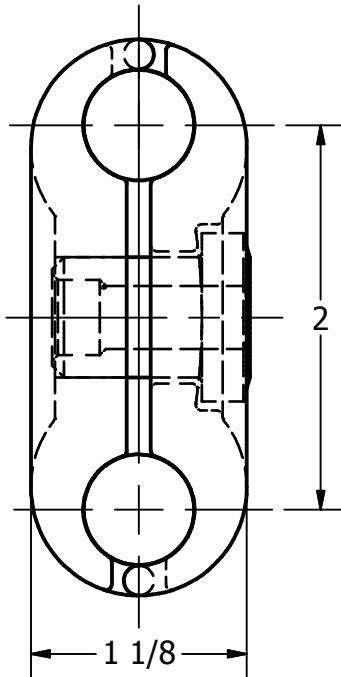
ITEM NO

DWG NO
D-7400

THIS DRAWING AND ALL INFORMATION ON IT IS THE PROPERTY OF AFL. IT IS CONFIDENTIAL AND IT IS GIVEN TO YOU FOR A LIMITED PURPOSE AND MUST BE RETURNED UPON REQUEST. NEITHER THIS DRAWING OR ANY PART OF IT NOR ANY INFORMATION CONCERNING IT MAY BE COPIED, EXHIBITED, OR FURNISHED TO OTHERS NOR PHOTOGRAPHS TAKEN OF ANY ARTICLE FABRICATED OR ASSEMBLED FROM THE DRAWING WITHOUT THE CONSENT OF AFL.



STUD, 5/8-18NF-2A, ST STL
(SCAT-63-SS)



CABLE RANGE:

RUN & TAP

250 MCM CLASS "A" (19 STR)-(.574 DIA)

250 MCM CLASS "B" (37 STR)-(.575 DIA)

250 MCM CLASS "C" (61 STR)-(.576 DIA)

250 MCM CLASS "D" (91 STR)-(.613 DIA)

MATERIAL:

ALUMINUM BRONZE ASTM B30

TORQUE STUD 45 FT-LBS

0.93 LBS

LOCATION					CONTRACT NO		CUST / CONTR	
REVISIONS					DRN BY: ES			
REV	DESCRIPTION	DATE	BY	APR	DRN DATE: 10-17-85			
2	RE-DRAWN IN INVENTOR	1-20-10	LK	EP	CHK BY: JS			
					CHK DATE: 10-18-85			
					REV	CMC25-25-200		
					2	1 OF 1		



CLAMP, PARALLEL, 250 MCM (.613 DIA)