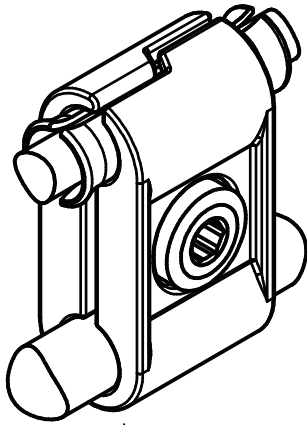
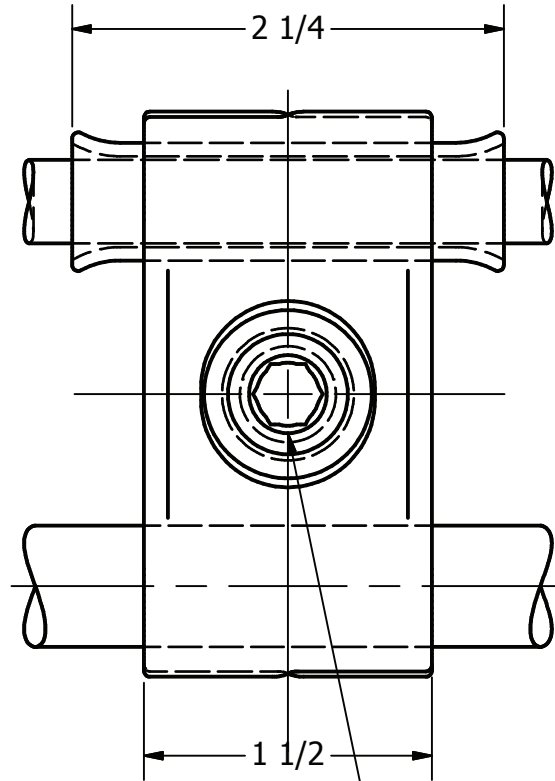
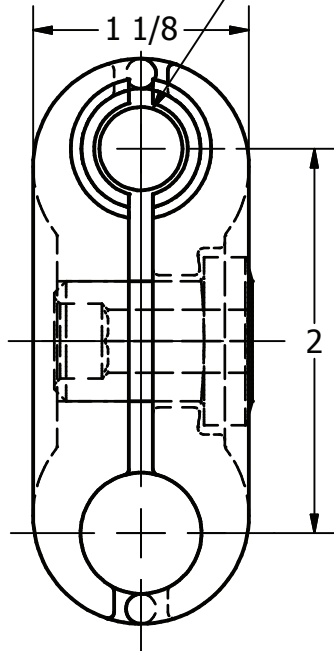


ITEM NO

DWG NO
D-7258



7/16 D (7 STRDS #7)-(.433 DIA)
COPPERWELD WIRE
OR 7/16D GALV STEEL WIRE



STUD, 5/8-18NF-2A, ST STL
(SCAT-63-SS)

CABLE RANGE:

- RUN
- 4/0 ROPE-LAY CLASS "G" (133 STR)-(.599 DIA)
- 4/0 ROPE-LAY CLASS "H" (259 STR)-(.601 DIA)
- 300 MCM CLASS "A" OR "B"-(.630 DIA)
- OR
- 4/0 CLASS "E" CWC-(.613 DIA)
- 4/0 CLASS "EK" CWC-(.571 DIA)

MATERIAL:

ALUMINUM BRONZE ASTM B30

TORQUE STUD 45 FT-LBS

0.99 LBS

THIS DRAWING AND ALL INFORMATION ON IT IS THE PROPERTY OF AFL. IT IS CONFIDENTIAL AND IT IS GIVEN TO YOU FOR A LIMITED PURPOSE AND MUST BE RETURNED UPON REQUEST. NEITHER THIS DRAWING OR ANY PART OF IT NOR ANY INFORMATION CONCERNING IT MAY BE COPIED, EXHIBITED, OR FURNISHED TO OTHERS NOR PHOTOGRAPHS TAKEN OF ANY ARTICLE FABRICATED OR ASSEMBLED FROM THE DRAWING WITHOUT THE CONSENT OF AFL.

LOCATION					CONTRACT NO		CUST / CONTR	
REVISIONS								
REV	DESCRIPTION	DATE	BY	APR	DRN BY:	CLAMP, PARALLEL, 300 MCM(.630 DIA)-7/16(.433 DIA)		
2	RE-DRAWN IN INVENTOR	3-9-10	LK	EP	ES			
					DRN DATE:			
					5-14-93			
					CHK BY:			
					JS			
					CHK DATE:			
					5-14-93	REV	CMC30-44-200	
						2	1 OF 1	