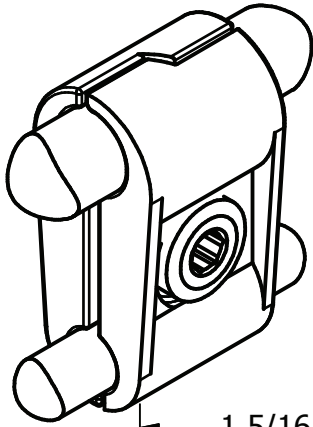
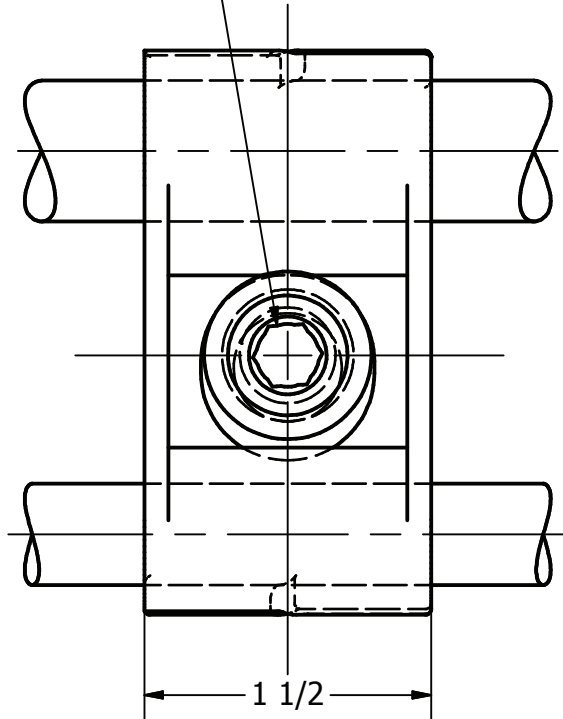
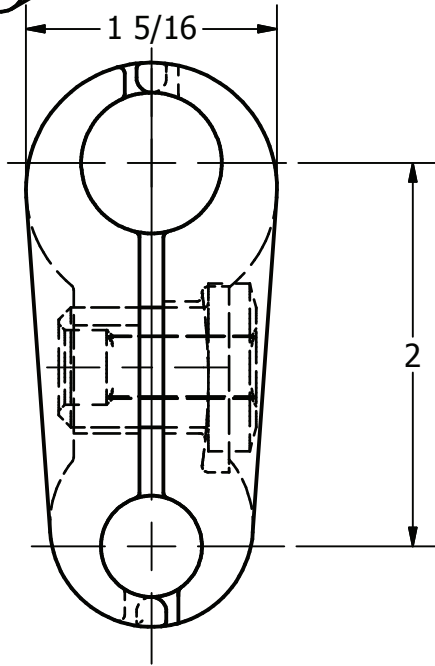


ITEM NO

DWG NO



STUD, 5/8-18NF-2A, ST STL
(SCAT-63-SS)



CABLE RANGE:

- RUN
- 400 MCM CLASS "A" OR "B" (.728 DIA)
- 300 MCM CLASS "E" CWC (.729 DIA)
- 35- MCM CLASS "EK" CWC (.735 DIA)
- TAP
- 4/0 19 STR CLASS "A" CU- (.528 DIA)
- 4/0 7 STR CLASS "AA" CU- (.522 DIA)

MATERIAL:

ALUMINUM BRONZE ASTM B30

TORQUE STUD 45 FT-LBS

0.97 LBS

THIS DRAWING AND ALL INFORMATION ON IT IS THE PROPERTY OF AFL. IT IS CONFIDENTIAL AND IT IS GIVEN TO YOU FOR A LIMITED PURPOSE AND MUST BE RETURNED UPON REQUEST. NEITHER THIS DRAWING OR ANY PART OF IT NOR ANY INFORMATION CONCERNING IT MAY BE COPIED, EXHIBITED, OR FURNISHED TO OTHERS NOR PHOTOGRAPHS TAKEN OF ANY ARTICLE FABRICATED OR ASSEMBLED FROM THE DRAWING WITHOUT THE CONSENT OF AFL.

LOCATION					CONTRACT NO		CUST / CONTR	
REVISIONS					DRN BY: ES			
REV	DESCRIPTION	DATE	BY	APR	DRN DATE: 6-19-87	CLAMP, PARALLEL, 400 MCM(.735 DIA)-4/0(.528 DIA)		
2	RE-DRAWN IN INVENTOR	1-20-10	LK	EP	CHK BY: JS	REV 2		
					CHK DATE: 6-19-87	CMC40-21-200		
							1 OF 1	