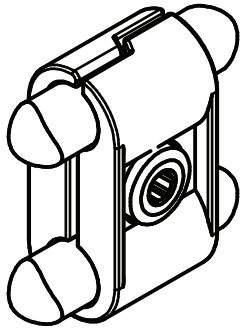
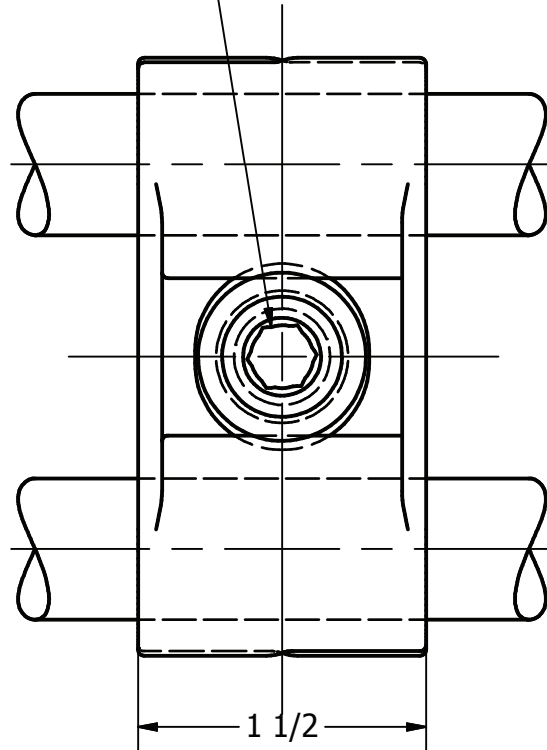
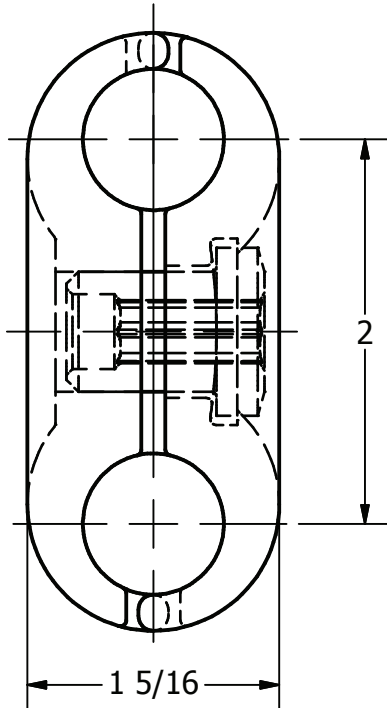


ITEM NO

DWG NO
D-6530



STUD, 5/8-18NF-2A, ST STL
(SCAT-63-SS)



CABLE RANGE:

RUN & TAP

400 MCM CLASS "A" OR "B"-(.728 DIA)

300 MCM CLASS "E" CWC -(.729 DIA)

350 MCM CLASS "EK" CWC -(.735 DIA)

MATERIAL:

ALUMINUM BRONZE ASTM B30

TORQUE STUD 45 FT-LBS

1.09 LBS

THIS DRAWING AND ALL INFORMATION ON IT IS THE PROPERTY OF AFL. IT IS CONFIDENTIAL AND IT IS GIVEN TO YOU FOR A LIMITED PURPOSE AND MUST BE RETURNED UPON REQUEST. NEITHER THIS DRAWING OR ANY PART OF IT NOR ANY INFORMATION CONCERNING IT MAY BE COPIED, EXHIBITED, OR FURNISHED TO OTHERS NOR PHOTOGRAPHS TAKEN OF ANY ARTICLE FABRICATED OR ASSEMBLED FROM THE DRAWING WITHOUT THE CONSENT OF AFL.

LOCATION					CONTRACT NO		CUST / CONTR	
REVISIONS					DRN BY: ES			
REV	DESCRIPTION	DATE	BY	APR	DRN DATE: 3-25-87			
2	RE-DRAWN IN INVENTOR	1-20-10	LK	EP	CHK BY: JS			
					CHK DATE: 3-25-87			
					REV 2		CMC40-40-200	
							1 OF 1	



CLAMP, PARALLEL, 400 MCM (.728 DIA) - 350 MCM (.735 DIA)