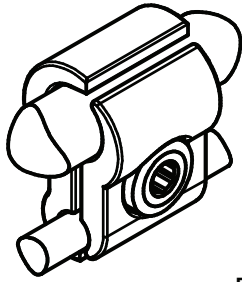


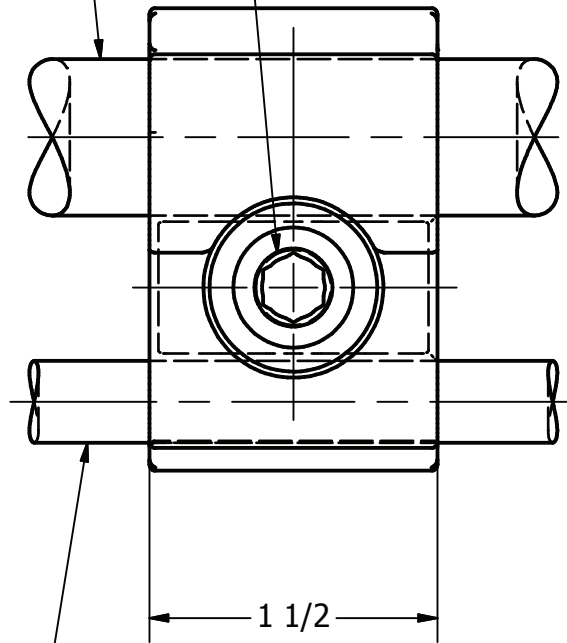
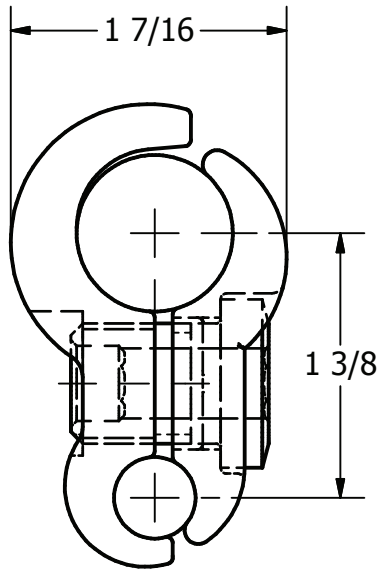
ITEM NO

DWG NO  
D-5286



500 MCM (.814 DIA)

STUD, 5/8-18NF-2A, ST STL  
(SCAT-63-SS)





2/0 STR CU-(.414 DIA)  
OR  
7/16 COPPERWELD (7 No. 7) -(.433 DIA)

**MATERIAL:**  
ALUMINUM BRONZE ASTM B30

TORQUE STUD 45 FT-LBS

0.73 LBS

THIS DRAWING AND ALL INFORMATION ON IT IS THE PROPERTY OF AFL. IT IS CONFIDENTIAL AND IT IS GIVEN TO YOU FOR A LIMITED PURPOSE AND MUST BE RETURNED UPON REQUEST. NEITHER THIS DRAWING OR ANY PART OF IT NOR ANY INFORMATION CONCERNING IT MAY BE COPIED, EXHIBITED, OR FURNISHED TO OTHERS NOR PHOTOGRAPHS TAKEN OF ANY ARTICLE FABRICATED OR ASSEMBLED FROM THE DRAWING WITHOUT THE CONSENT OF AFL.

LOCATION					CONTRACT NO		CUST / CONTR	
REVISIONS					 			
REV	DESCRIPTION	DATE	BY	APR	DRN BY:	CLAMP, PARALLEL, 500MCM (.814DIA)- 2/0 (.433DIA)		
6	RE-DRAWN IN INVENTOR	1-25-10	LK	EP	XX			
					DRN DATE:			
					6-5-79			
					CHK BY:			
					HJ			
					CHK DATE:			
					6-12-79			
					REV	CMC50-13-138		1 OF 1
					6			