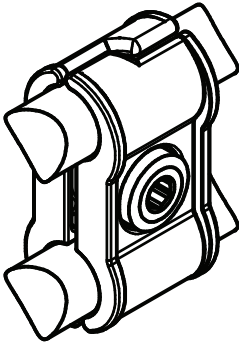


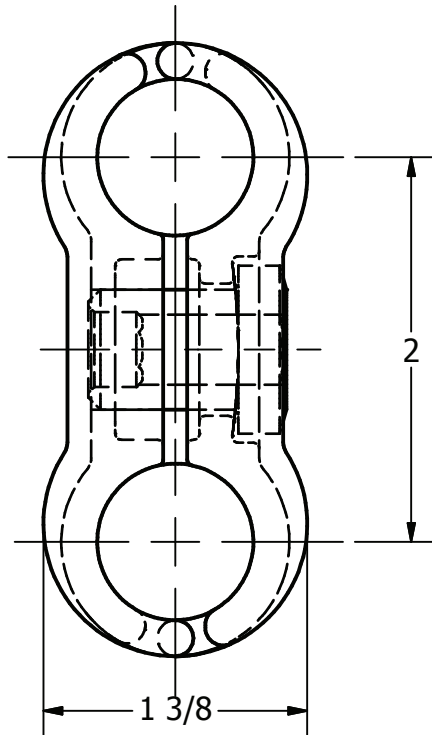
ITEM NO

DWG NO
D-6444

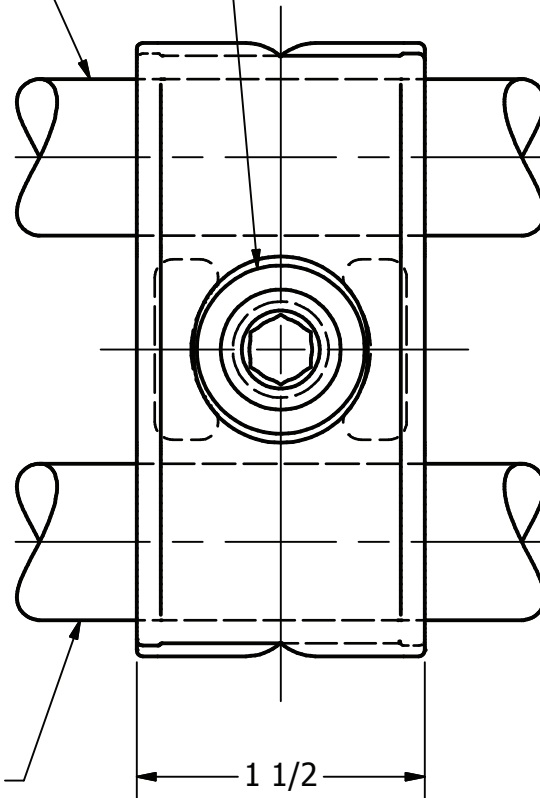


STUD, 5/8-18NF-2A, ST STL
(SCAT-63-SS)

500 MCM CU (.814 DIA)



500 MCM CU (.814 DIA)



MATERIAL:
ALUMINUM BRONZE ASTM B30

TORQUE STUD 45 FT-LBS

0.84 LBS

THIS DRAWING AND ALL INFORMATION ON IT IS THE PROPERTY OF AFL. IT IS CONFIDENTIAL AND IT IS GIVEN TO YOU FOR A LIMITED PURPOSE AND MUST BE RETURNED UPON REQUEST. NEITHER THIS DRAWING OR ANY PART OF IT NOR ANY INFORMATION CONCERNING IT MAY BE COPIED, EXHIBITED, OR FURNISHED TO OTHERS NOR PHOTOGRAPHS TAKEN OF ANY ARTICLE FABRICATED OR ASSEMBLED FROM THE DRAWING WITHOUT THE CONSENT OF AFL.

LOCATION					CONTRACT NO		CUST / CONTR	
REVISIONS								
REV	DESCRIPTION	DATE	BY	APR	CLAMP, PARALLEL, 500MCM(.814DIA)			
2	RE-DRAWN IN INVENTOR	10-8-09	BH	EP	CMC50-50-200			
DRN BY: GH DRN DATE: 8-6-86 CHK BY: JS CHK DATE: 8-6-86					REV 2	1 OF 1		