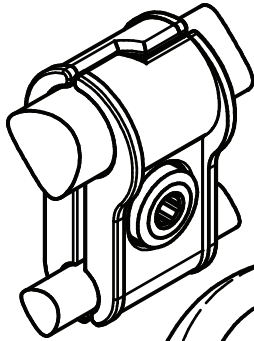
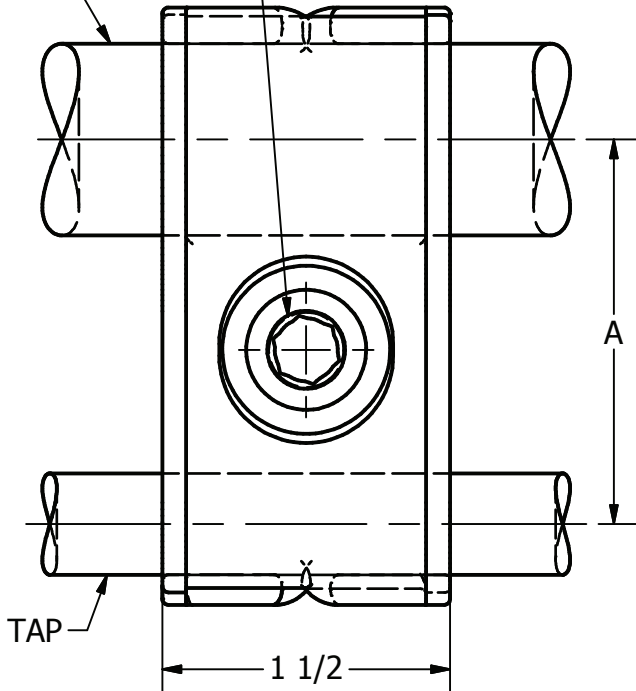
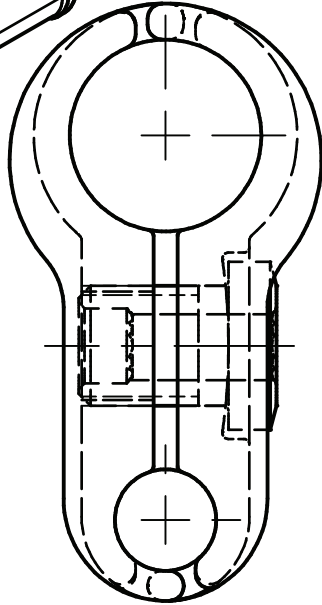


ITEM NO

DWG NO
D-5857STUD, 5/8-18NF-2A, ST STL
(SCAT-63-SS)

RUN



CATALOG #	RUN	TAP	A
CMC75-13F-200	750MCM CU	7/16 DIA 6X9 IWRC	2
CMC75-21F-200	750MCM CU	4/0 FLEX. ROPE LAY WIRE 37X7X.0286 (.601 DIA)	2
CMC75-21-200	750MCM CU	4/0 STR (.528 DIA)	2
CMC75-30F-200	750MCM CU	300MCM FLEX. CLASS "H" CABLE (.716 DIA)	2
CMC75-50-300	750MCM CU	500 MCM CU (.814 DIA)	3
CMC75-50F-300	750MCM CU	500 MCM FLEX. CLASS "H" (.923 DIA)	3
CMC75-30-200	750MCM	300 MCM CLASS "A" OR "B" .630 D OR 5/8 CW (-.613 DIA)	2

MATERIAL:

ALUMINUM BRONZE ASTM B30

TORQUE STUD 45 FT-LBS

THIS DRAWING AND ALL INFORMATION ON IT IS THE PROPERTY OF AFL. IT IS CONFIDENTIAL AND IT IS GIVEN TO YOU FOR A LIMITED PURPOSE AND MUST BE RETURNED UPON REQUEST. NEITHER THIS DRAWING OR ANY PART OF IT NOR ANY INFORMATION CONCERNING IT MAY BE COPIED, EXHIBITED, OR FURNISHED TO OTHERS NOR PHOTOGRAPHS TAKEN OF ANY ARTICLE FABRICATED OR ASSEMBLED FROM THE DRAWING WITHOUT THE CONSENT OF AFL.

LOCATION

CONTRACT NO

CUST / CONTR

REVISIONS				
REV	DESCRIPTION	DATE	BY	APR
8	RE-DRAWN IN INVENTOR	1-26-10	LK	EP

DRN BY:
ES
DRN DATE:
7-1-82
CHK BY:
HJ
CHK DATE:
7-6-82

CLAMP, PARALLEL, 750 MCM SERIES

REV
8

CMC75-SERIES

1 OF 1